

**Kodak**

DIGITAL SCIENCE™ and  
IMAGELINK™ Scanners

# **Installation Questionnaire Instructions**

# **Mode Setup Instructions**

A-61097  
Part Number 4C8894

# 1 Introduction

---

The KODAK DIGITAL SCIENCE™ Mode Setup Software 9000 has been developed to enable you to customize applications using the:

- KODAK DIGITAL SCIENCE Document Scanner 9500
- KODAK DIGITAL SCIENCE Scanner/Microimager 990
- KODAK IMAGELINK Microimager 70
- KODAK IMAGELINK Microimager 70 with Advanced Function Module
- KODAK IMAGELINK Scanner 900
- KODAK IMAGELINK Scanner 923, or
- KODAK IMAGELINK Scanner/Microimager 990.

The Mode Setup Software offers a user-friendly interface which allows you to perform an initial installation or modification of an existing setup.

The following sections describe the installation requirements, installation procedure, logon procedure, general information regarding use of the Mode Setup Software, the Installation Instructions and the Installation Questionnaire, and the logout procedure.

## Installation Requirements

The following system and cabling requirements should be verified prior to attempting to use the Mode Setup Software.

The minimum system requirements include:

- IBM or IBM-compatible personal computer
- 640K RAM
- 1.2 MB hard disk space
- 720K 3 1/2" disk drive
- monochrome or color display

The cabling requirements include:

- 9-pin serial port adapter\* or a 25-pin serial port adapter\*\*

---

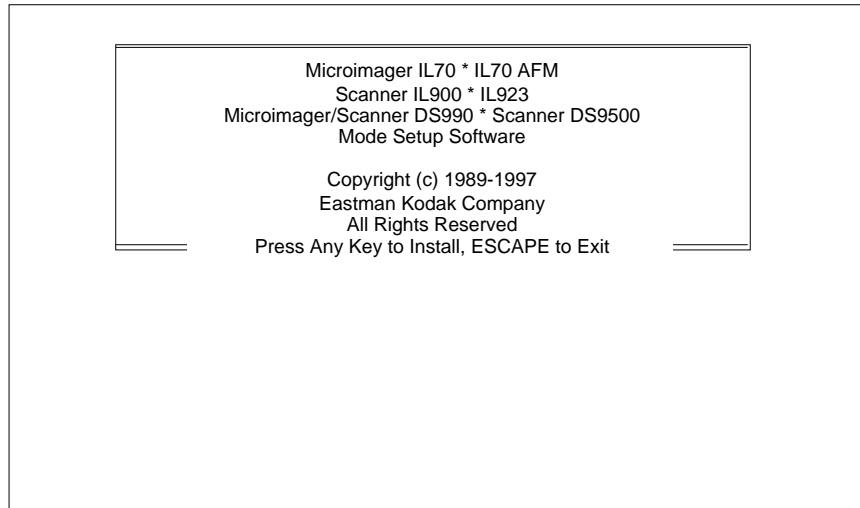
\* Available through Kodak Parts Services using tool number TL-4219.

\*\* Available through Businessland using part number 984956.

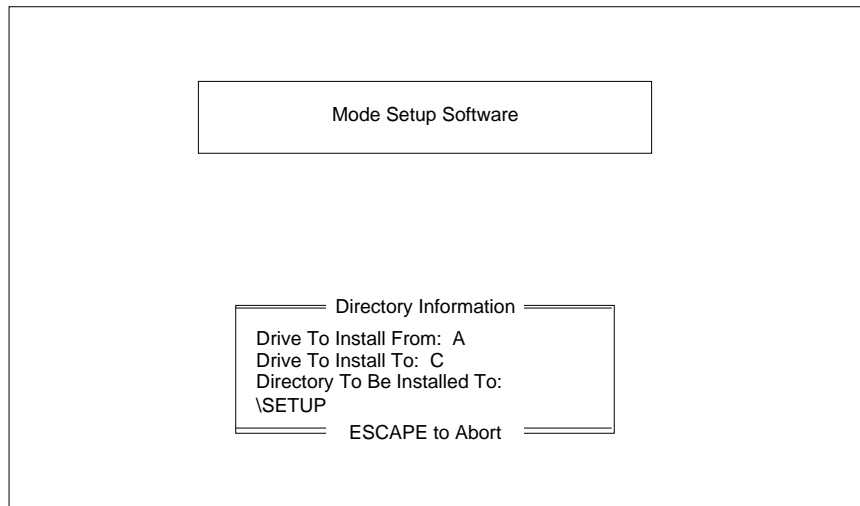
## Software Installation Procedure

Follow these steps to install the software:

1. Insert the Mode Setup Software diskette into the drive.
2. Type **A:INSTALL** next to the DOS prompt and press **Return/Enter**.  
If the disk drive on your unit is not designated as the A drive, substitute the correct drive designation in this command string.



3. Press any key.



4. Enter the desired drive and directory designations and press **Enter**.

Directory Information	
Drive To Install From:	A
Drive To Install To:	C
Directory To Be Installed To:	\SETUP
ESCAPE to Abort	

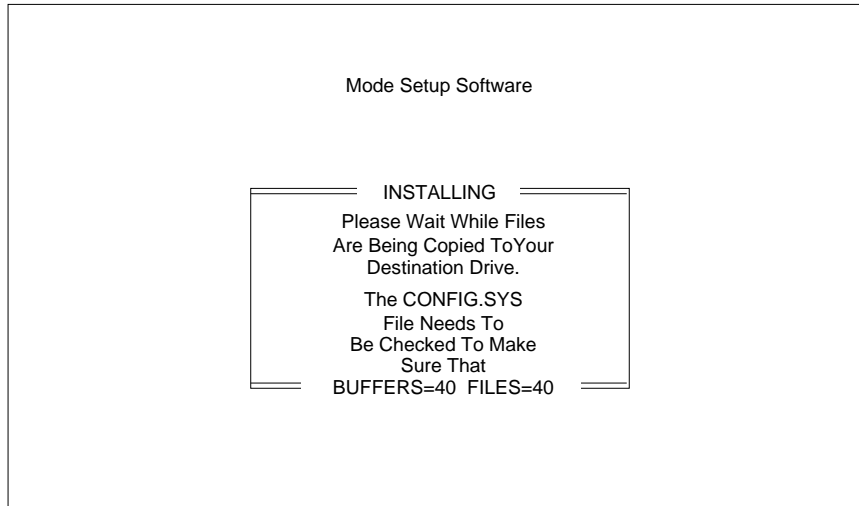
[Press ENTER to Accept, any other key to Edit]

5. Press **Enter** to continue the logon procedure. Press any other key to alter the drive and directory designations.

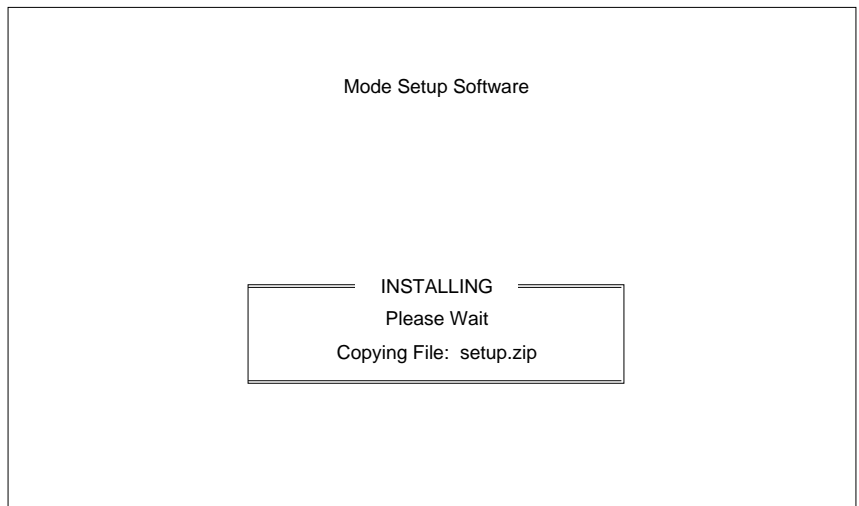
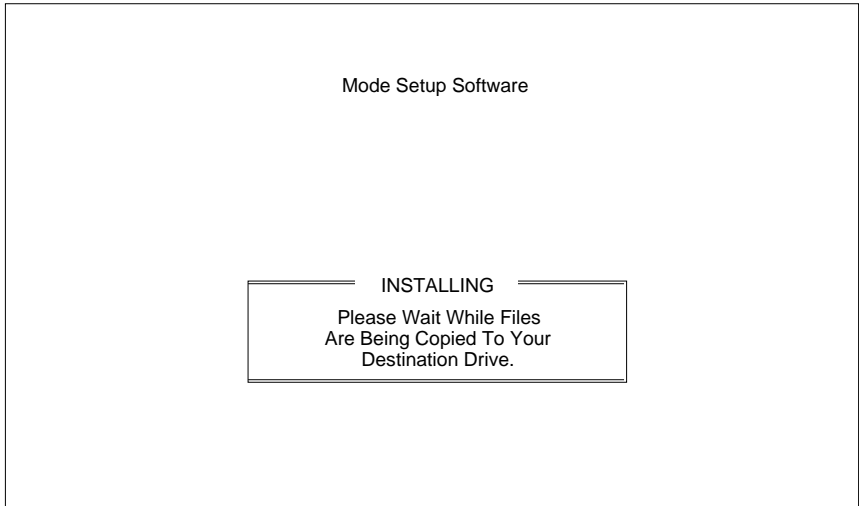
Mode Setup Software	
Please Wait While Files Are Being Copied To Your Destination Drive.	
Use Existing Directory ([Y/N]? Hit [N]o to Select New Directory	

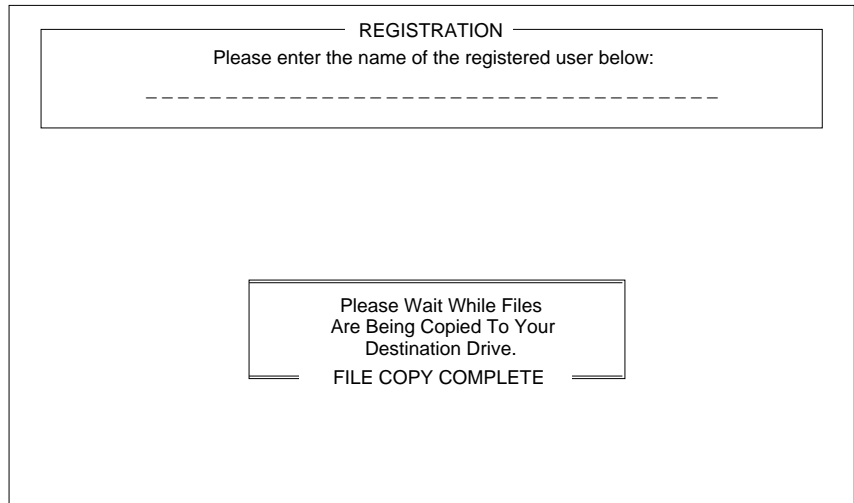
6. Enter an **N** to abort and designate a different directory. Enter a **Y** to continue, replacing the files within the designated directory.

During the installation procedure, the following window will appear if you don't have the files and buffers set correctly in the config.sys file:

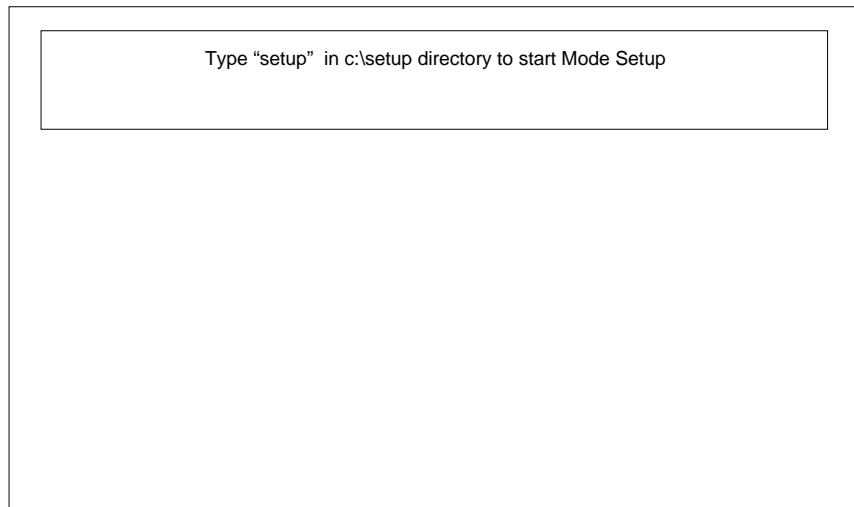


Next, the following windows will appear:





7. Type in user name. Press **Return/Enter**.



8. Press any key to return to DOS.
9. Eject the Mode Setup Software diskette.
10. Type: **cd setup**. The SETUP directory is displayed.
11. Type: **setup**. This starts the program.

## Logon Procedure

After the installation procedure has been performed, follow these steps to log on to the Mode Setup Software:

1. Access DOS.
2. Change the directory to correspond to the directory designated during the installation procedure.
3. Type **setup** and press **Return/Enter**.

	<p>* EASTMAN KODAK COMPANY * * Model 30 * * Model 70/AFM * Model 70 * * Model 900 * Model 923 * * Model DS990 * Model DS9500 *</p> <p>This software is the property of Eastman Kodak Company.</p> <p>It is not to be sold or leased in any form. Use by any other individual is illegal and subject to penalties under the copyright laws of the United States.</p> <div data-bbox="881 831 1094 947" style="border: 1px solid black; padding: 5px; text-align: center;">Connect via RS-232 Connect via Modem Exit</div>	<p>Version</p> <div data-bbox="1219 831 1378 873" style="border: 1px solid black; padding: 2px; text-align: center;">3.30</div> <p>Release Date</p> <div data-bbox="1219 921 1378 963" style="border: 1px solid black; padding: 2px; text-align: center;">MM-DD-YY</div>
<p>Copyright Eastman Kodak Company 1989-1997</p>		

4. Select **Connect via RS-232** and press **Return/Enter**.

<p>KODAK IMAGELINK (tm) / DIGITAL SCIENCE (tm)</p> <p>Microimager Models 30 &amp; 70 Microimager Model 70/AFM Scanner 900 &amp; 923 Microimager/Scanner DS990 Scanner DS9500</p> <div data-bbox="800 1310 1174 1407" style="border: 1px solid black; padding: 5px; text-align: center;">1) Attach RS-232 Cable 2) Turn Operator Power Switch ON 3) Press "ENTER/RETURN" Key</div> <div data-bbox="922 1451 1052 1547" style="border: 1px solid black; padding: 5px; text-align: center; margin-top: 20px;">Continue Exit</div>
------------------------------------------------------------------------------------------------------------------------------------------------------------------------------------------------------------------------------------------------------------------------------------------------------------------------------------------------------------------------------------------------------------------------------------------------------------------------------------------------------------------------------------------------------------

## 5. Select *Continue*.

<p style="text-align: center;">Mainframe Configuration</p> <p>Display Machine Accessories Machine ID Number Display Language Measurement System Programmable Function Keys Date Format Time Format Alarm Tone Doc Printer/Film Writer Msg DP-12 Print Template Fixed Field Delimiter Set System Clock Version Numbers User COIN Port Protocol Custom Check Digit OI Hardware Character Set Save Configuration to PC Load Configuration from PC Mode Configuration End Session</p>	<p style="text-align: center;">MACHINE STATE</p>
---------------------------------------------------------------------------------------------------------------------------------------------------------------------------------------------------------------------------------------------------------------------------------------------------------------------------------------------------------------------------------------------------------------------------------------------------------------------------------------------------------------------------------------------------------------	--------------------------------------------------

## Using the Mode Setup Software

This section provides guidelines and conventions that will assist you in using the Mode Setup Software.

- There are two levels of definitions: Machine definitions, which apply to all modes; and Mode definitions, which apply to one mode.
- Each defined option requires you to select a displayed option or enter a value.
- If asked to select an option:
  - Use the arrow keys to position the highlight cursor over the desired option.
  - Press the **Return/Enter** key.
- If asked to enter a value:
  - Typically, the highlight cursor will appear over the input field, if it does not, use the arrow keys to position the highlight cursor over the input field.
  - Enter (type) the desired value, using the keyboard or numeric keypad.
  - Press the **Return/Enter** key.



- Each window should contain an option entitled *Previous Menu*. Typically, you are returned to the previous menu after completing a definition. If you are not returned to the previous menu after completing a definition, or you want to return without altering the default or previously defined value, select the *Previous Menu* option:
  - Use the arrow keys to position the highlight cursor over the *Previous Menu* option or press the **PAGEDOWN** key to automatically position the highlight cursor over the *Previous Menu* option.
  - Press the **Return/Enter** key.
- If you receive a message indicating that an accessory is not installed, press the **Return/Enter** key to continue. This message indicates that the option selected requires an accessory which is not physically installed and/or properly defined to the software. In either instance, contact your Kodak service representative to properly install and/or define the accessory.
- If you receive a message that indicates a selection is not available, press the **Return/Enter** key to continue. This message indicates that the option selected is not available in the mode selected, or is not available for the machine configuration.

## Using the Mode Setup Software Questionnaire and Instructions

There are two pieces of documentation designed for use with the Mode Setup Software: the Installation Instructions, which provide information on how to install, access and use the software to define the available options; and the Installation Questionnaire, which provides a convenient form on which to record all of the machine and mode definitions.

The Installation Instructions describe all of the available options which can be defined using the Mode Setup Software.

NOTE: Not all options are available using a given machine configuration. Hence, each definition is accompanied by a configuration key which indicates whether or not the option is available for each machine configuration. If you attempt to define an option which is not valid under your machine configuration, you will receive a message which indicates that the option is not available. Simply press the **Return/Enter** key to continue.

Follow the Installation Instructions in order to define all of the available options, recording each definition on the Installation Questionnaire form, found in chapter 4. The Installation Questionnaire form requires that you write your selections in the space provided. Due to space limitations, *Appendix C: Recommended Questionnaire Entries* contains recommended shorthand entries for the various options you may enter. This is provided so that there is consistency among users, making it easier for other users to decipher your selections.

## Logout Procedure

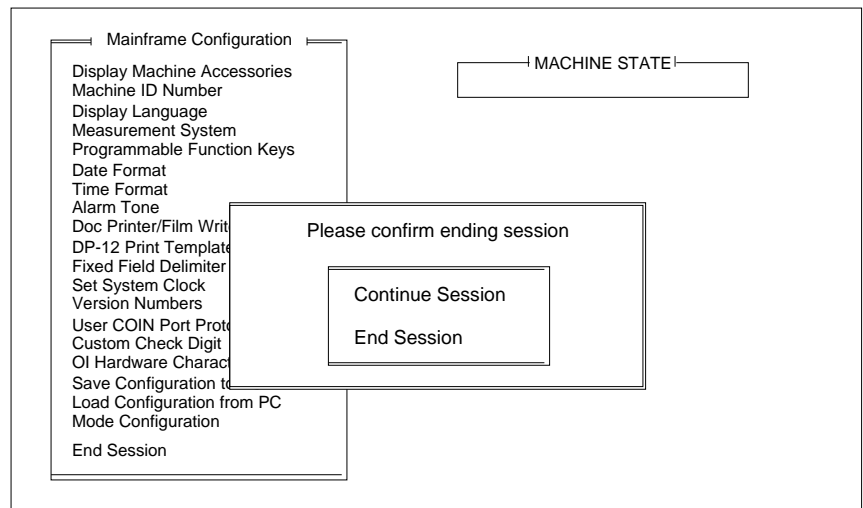
Once you have completed the installation, the following sequence of steps may be used to log out of the system.

From the Mode Configuration window:

1. Select *Save & End Session* if you wish to save all of the definitions or *Don't Save & End Session* if you do not wish to save all of the definitions.

You will be returned to the Configuration window.

2. Select *End Session* from the Configuration window.

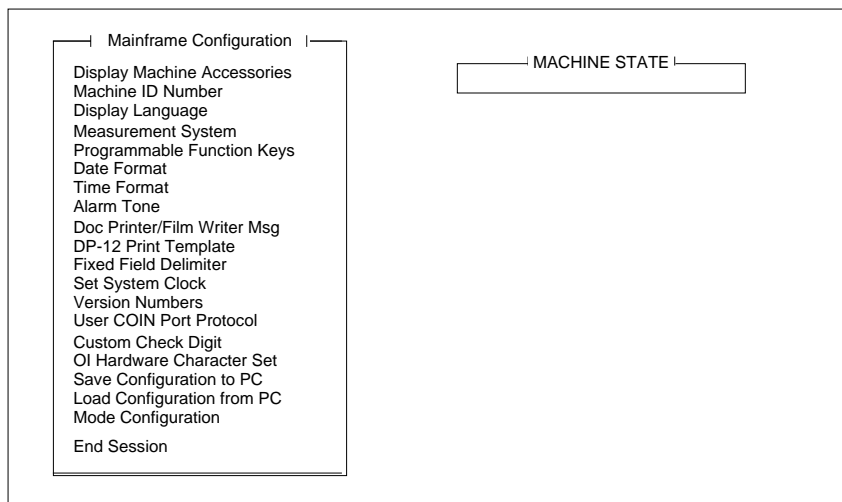


3. Select *End Session* to exit to DOS or *Continue Session* if you do not want to exit at this time.

## 2 Machine Definitions

---

The following section lists the items on the Mainframe Configuration Menu that may be selected for definition.



The following list appears for each option. A black square indicates that the option is available on that machine. A white square indicates that the option is **not** available on that machine. An example is illustrated below:

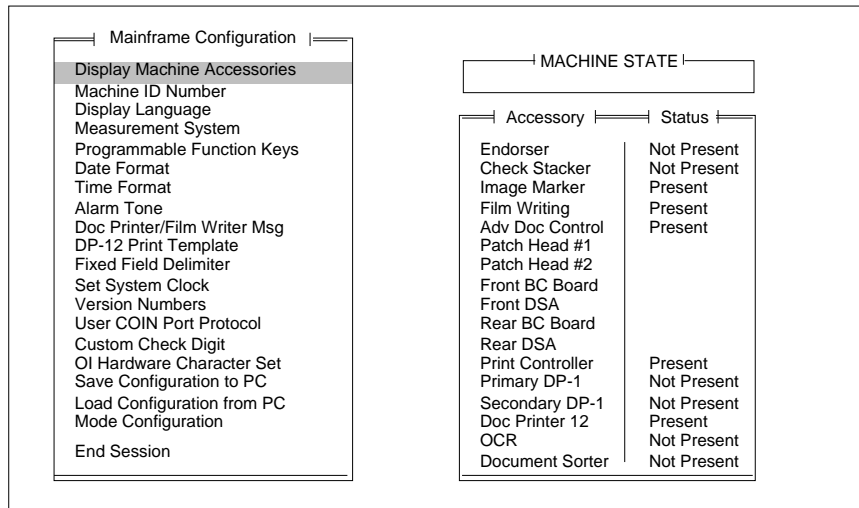
■ Microimager 70    □ Microimager 70/AFM    ■ Scanner 900  
■ Scanner 923    ■ Scanner/Microimager 990    ■ Scanner 9500

## Display Machine Accessories

This option displays the status of the various machine accessories and is for viewing only; no selections or entries are made.

- Microimager 70    ■ Microimager 70/AFM    ■ Scanner 900
- Scanner 923    ■ Scanner/Microimager 990    ■ Scanner 9500

1. Select *Display Machine Accessories*.
2. Press **Return/Enter** to close the Accessory Status window.



NOTE: On scanners 900, 923, and 9500, Image Marker and Film Writing are not available.

On a machine with DSA:  
Patch Head #2 = N/A  
Front DSA = 990/923/IL70  
Rear DSA = 990 D Only

## Machine ID Number

This option establishes a unique identification number for each unit in a multiple-unit installation. The default is 00.

- Microimager 70    ■ Microimager 70/AFM    ■ Scanner 900
- Scanner 923    ■ Scanner/Microimager 990    ■ Scanner 9500

1. Select *Machine ID Number*.
2. Enter a number from 00-99.

The screenshot shows a terminal window with a menu titled "Mainframe Configuration". The menu items are: Display Machine Accessories, Machine ID Number (highlighted), Display Language, Measurement System, Programmable Function Keys, Date Format, Time Format, Alarm Tone, Doc Printer/Film Writer Msg 5, DP-12 Print Template, Fixed Field Delimiter, Set System Clock, Version Numbers, User COIN Port Protocol, Custom Check Digit, OI Hardware Character Set, Save Configuration to PC, Load Configuration from PC, Mode Configuration, and End Session. To the right of the menu is a box labeled "MACHINE STATE". Below the menu is a prompt "Enter machine id below" followed by an input field containing "00". Below the input field are the instructions "To Change: Enter Value" and "To Retain: Press Enter".

## Display Language

This option defines the primary display language. The default is *English*.

■ Microimager 70    ■ Microimager 70/AFM    ■ Scanner 900  
■ Scanner 923    ■ Scanner/Microimager 990    ■ Scanner 9500

1. Select *Display Language*.
2. Select the desired language option.

The screenshot shows a terminal window titled "Mainframe Configuration". The menu items are: Display Machine Accessories, Machine ID Number, Display Language (highlighted), Measurement System, Programmable Function Keys, Date Format, Time Format, Alarm Tone, Doc Printer/Film Writer Msg, DP-12 Print Template, Fixed Field Delimiter, Set System Clock, Version Numbers, User COIN Port Protocol, Custom Check Digit, OI Hardware Character Set, Save Configuration to PC, Load Configuration from PC, Mode Configuration, and End Session. To the right of the menu is a box labeled "MACHINE STATE". Below the menu is a box labeled "Language" with options: English, Other Language, and Previous Menu.

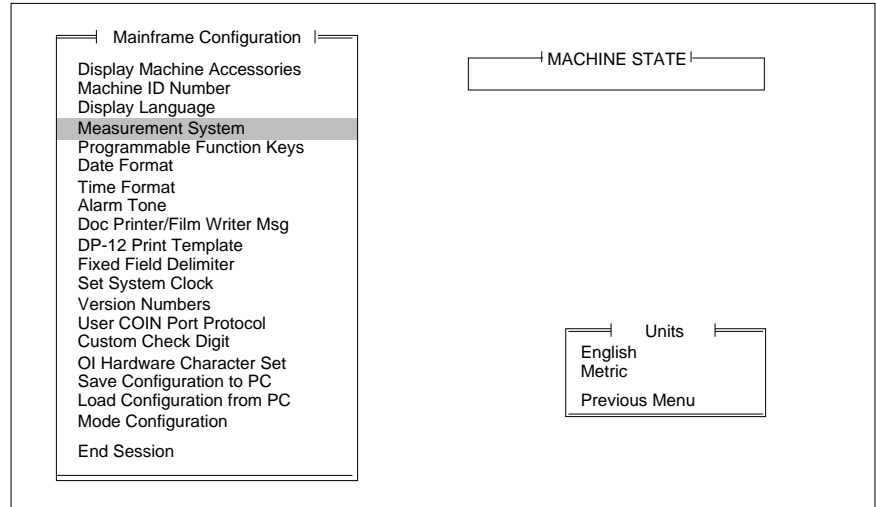
NOTE: *Other Language* should be selected **only if a foreign language prom has been installed**. If selected, indicate which foreign language prom has been installed when filling in the Installation Questionnaire.

## Measurement System

This option defines the primary measurement system. *English* uses inches as the primary unit of measure. *Metric* uses millimetres as the primary unit of measure. The default is *English*.

- Microimager 70    ■ Microimager 70/AFM    ■ Scanner 900
- Scanner 923    ■ Scanner/Microimager 990    ■ Scanner 9500

1. Select *Measurement System*.
2. Select the desired unit of measurement.



## Programmable Function Keys (P-Keys)

This option defines the functions performed by the programmable keys. Refer to *Appendix B: Function Codes* to determine which function codes and formats to use when programming the P-Keys.

- Microimager 70    ■ Microimager 70/AFM    ■ Scanner 900
- Scanner 923    ■ Scanner/Microimager 990    ■ Scanner 9500

### 1. Select *Programmable Function Keys*.

Mainframe Configuration

- Display Machine Accessories
- Machine ID Number
- Display Language
- Measurement System
- Programmable Function Keys
- Date Format
- Time Format
- Alarm Tone
- Doc Printer/Film Writer Msg
- DP-12 Print Template
- Fixed Field Delimiter
- Set System Clock
- Version Numbers
- User COIN Port Protocol
- Custom Check Digit
- OI Hardware Character Set
- Save Configuration to PC
- Load Configuration from PC
- Mode Configuration
- End Session

MACHINE STATE

Key	Definition
P1	
P2	
P3	
P4	
P5	
P6	
P7	
P8	
P9	
P10	

Prev
Previous Menu



The default values are displayed in the Key Definition table.

The following values apply only to the Scanner 9500.

Key	Definition
P1	f37 Calibrate
P2	f98f38 Stop, End of Job
P3	f01,01 Change to Mode 1
P4	f01,02 Change to Mode 2
P5	f01,03 Change to Mode 3
P6	f01,04 Change to Mode 4
P7	f01,05 Change to Mode 5
P8	f01,06 Change to Mode 6
P9	f01,07 Change to Mode 7
P10	ff01,08 Change to Mode 8
Prev	Previous Menu

The following values apply only to the Microimager 70 and Microimager 70/AFM:

Key	Definition
P1	f04,2 Count only, toggle
P2	f45 Print test
P3	f09 Total document count
P4	f08 Last Image Address
P5	f33 Roll number
P6	f30 Amount of film remaining
P7	f44 Omit printing on next document only
P8	f46 Print position
P9	f07 Level 0
P10	f35 Cassette ID number

The following default values apply only to the Scanner 900/923.

Key	Definition
P1	f37 Calibrate
P2	f98f38 Stop, End of Job
P3	f01,01 Change to Mode 1
P4	f01,02 Change to Mode 2
P5	f01,03 Change to Mode 3
P6	f01,04 Change to Mode 4
P7	f01,05 Change to Mode 5
P8	f01,06 Change to Mode 6
P9	f01,07 Change to Mode 7
P10	ff01,08 Change to Mode 8

The following default values apply only to the Scanner/Microimager 990:

Key	Definition
P1	f04,2 Count only, toggle
P2	f45 Print test
P3	f09 Total document count
P4	f08 Last Image Address
P5	f37 Calibrate
P6	f30 Amount of film remaining
P7	f44 Omit printing on next document only
P8	f46 Print position
P9	f07 Level 0
P10	f98f38Stop, End-of-Job

To enter a function code, type an f (lower case) followed by a two-digit code (i.e., *f04*). Any additional information, such as a zero (0) to disable a function, a one (1) to enable a function, or a two (2) to toggle a function, is entered by typing a comma (,) followed by the additional information (i.e., *f04,1* enables counting only).

Multiple function codes are entered as a string of individual function codes with no spaces or delimiters in between (i.e., *f98f38* stops the machine and then issues an end-of-job indicator).

When using a Microimager 70 without the Advanced Function Module installed, only two of the P-Keys are programmable: P5 and P10.

When using a Microimager 70 with the Advanced Function Module installed, Scanner 900, Scanner 923, Scanner/Microimager 990, or Scanner 9500, all P-Keys are programmable.

P-Keys are programmed using the following sequence of steps:

1. Select a P-Key (P1 – P10).
2. Press **Return/Enter**.
3. Enter the desired function.

Repeat this sequence for each P-Key you wish to (re)program.

## Date Format

This option defines the date display format, both the date format and delimiter. Refer to *Description 1: Date Format Samples* for a description of the available formats. The default is *mmddy*. The default delimiter is a slash (/).

Microimager 70     Microimager 70/AFM     Scanner 900  
 Scanner 923     Scanner/Microimager 990     Scanner 9500

1. Select *Date Format*.
2. Select a date format.
3. Select a date delimiter.

Mainframe Configuration		MACHINE STATE																																							
<ul style="list-style-type: none"> <li>Display Machine Accessories</li> <li>Machine ID Number</li> <li>Display Language</li> <li>Measurement System</li> <li>Programmable Function Keys</li> <li style="background-color: #e0e0e0;">Date Format</li> <li>Time Format</li> <li>Alarm Tone</li> <li>Doc Printer/Film Writer Msg</li> <li>DP-12 Print Template</li> <li>Fixed Field Delimiter</li> <li>Set System Clock</li> <li>Version Numbers</li> <li>User COIN Port Protocol</li> <li>Custom Check Digit</li> <li>OI Hardware Character Set</li> <li>Save Configuration to PC</li> <li>Load Configuration from PC</li> <li>Mode Configuration</li> <li>End Session</li> </ul>		<table border="1" style="width: 100%; border-collapse: collapse;"> <thead> <tr> <th style="text-align: left;">Date Format</th> <th style="text-align: left;">Example</th> </tr> </thead> <tbody> <tr><td>mmddy</td><td>12/25/92</td></tr> <tr><td>mmdd</td><td>12/25</td></tr> <tr><td>ddmmyy</td><td>25-DEC-92</td></tr> <tr><td>ddmmm</td><td>25-DEC</td></tr> <tr><td>mmyy</td><td>12/92</td></tr> <tr><td>yddd</td><td>2-359</td></tr> <tr><td>yyddd</td><td>92-359</td></tr> <tr><td>yyymmdd</td><td>92.12.25</td></tr> <tr><td>ddmmyy</td><td>25 12 92</td></tr> <tr><td>mmddyyyy</td><td>DEC-25-1992</td></tr> </tbody> </table>	Date Format	Example	mmddy	12/25/92	mmdd	12/25	ddmmyy	25-DEC-92	ddmmm	25-DEC	mmyy	12/92	yddd	2-359	yyddd	92-359	yyymmdd	92.12.25	ddmmyy	25 12 92	mmddyyyy	DEC-25-1992	<table border="1" style="width: 100%; border-collapse: collapse;"> <thead> <tr> <th style="text-align: left;">Date Delimiter</th> <th style="text-align: left;">Example</th> </tr> </thead> <tbody> <tr><td>Slash ("/")</td><td>mm = [01-12]</td></tr> <tr><td>Dash ("-")</td><td>mmm = [JAN,FEB]</td></tr> <tr><td>Period (".")</td><td>dd = [01-31]</td></tr> <tr><td>Space (" ")</td><td>ddd = [001-366]</td></tr> <tr><td>No Delimiter</td><td>y = [0-9]</td></tr> <tr><td></td><td>yy = [00-99]</td></tr> <tr><td>Previous Menu</td><td>yyyy = 1990-2000</td></tr> </tbody> </table>	Date Delimiter	Example	Slash ("/")	mm = [01-12]	Dash ("-")	mmm = [JAN,FEB]	Period (".")	dd = [01-31]	Space (" ")	ddd = [001-366]	No Delimiter	y = [0-9]		yy = [00-99]	Previous Menu	yyyy = 1990-2000
Date Format	Example																																								
mmddy	12/25/92																																								
mmdd	12/25																																								
ddmmyy	25-DEC-92																																								
ddmmm	25-DEC																																								
mmyy	12/92																																								
yddd	2-359																																								
yyddd	92-359																																								
yyymmdd	92.12.25																																								
ddmmyy	25 12 92																																								
mmddyyyy	DEC-25-1992																																								
Date Delimiter	Example																																								
Slash ("/")	mm = [01-12]																																								
Dash ("-")	mmm = [JAN,FEB]																																								
Period (".")	dd = [01-31]																																								
Space (" ")	ddd = [001-366]																																								
No Delimiter	y = [0-9]																																								
	yy = [00-99]																																								
Previous Menu	yyyy = 1990-2000																																								

**Description 1: Date Format Samples**

Sample Date March 1, 1991	Slash	Dash	Period	Space	None
mmddy	03/01/91	03/01/91	03.01.91	03 01 91	030191
mmdd	03/01	03-01	03.01	03 01	0301
ddmmyy	01/MAR/91	01-MAR-91	01.MAR.91	01 MAR 91	01MAR91
ddmmm	01/MAR	01-MAR	01.MAR	01 MAR	01MAR
mmyy	03/91	03-91	03.91	03 91	0391
yddd	1/060	1-060	1.060	1 060	1060
yyddd	91/060	91-060	91.060	91 060	91060
yymmdd	91/03/01	91-03-01	91.03.01	91 03 01	910301
ddmmyy	01/03/91	01-03-91	01.03.91	01 03 91	010391
mmmdyyyy	MAR/01/1991	MAR-01-1991	MAR.01.1991	MAR 01 1991	MAR011991

## Time Format

This option defines the time display format. Refer to *Description 2: Time Format Samples* for a description of the available formats. The default is *12 hour with AM/PM*.

- Microimager 70     Microimager 70/AFM     Scanner 900  
 Scanner 923     Scanner/Microimager 990     Scanner 9500

1. Select *Time Format*.
2. Select a specific time format.

The screenshot shows a terminal window with a menu titled "Mainframe Configuration". The menu items are: Display Machine Accessories, Machine ID Number, Display Language, Measurement System, Programmable Function Keys, Date Format, Time Format (highlighted), Alarm Tone, Doc Printer/Film Writer Msg, DP-12 Print Template, Fixed Field Delimiter, Set System Clock, Version Numbers, User COIN Port Protocol, Custom Check Digit, OI Hardware Character Set, Save Configuration to PC, Load Configuration from PC, Mode Configuration, and End Session. To the right of the main menu, there are two smaller boxes. The top one is titled "MACHINE STATE" and is empty. The bottom one is titled "Set Time Format" and contains the options: 12 Hour with AM/PM, 12 Hour without AM/PM, 24 Hour, and Previous Menu.

### Description 2: Time Format Samples

Time Format	What Is Printed
12 hour with AM/PM	5:00 PM
12 hour without AM/PM	5:00
24 hour	17:00

## Alarm Tone

This option defines tone or pitch of the audible alarm. The default is *High*.

- Microimager 70     Microimager 70/AFM     Scanner 900  
 Scanner 923     Scanner/Microimager 990     Scanner 9500

1. Select *Alarm Tone*.
2. Select the desired alarm tone pitch.

The screenshot shows a terminal window with a menu titled "Mainframe Configuration". The menu items are: Display Machine Accessories, Machine ID Number, Display Language, Measurement System, Programmable Function Keys, Date Format, Time Format, Alarm Tone (highlighted), Doc Printer/Film Writer Msg, DP-12 Print Template, Fixed Field Delimiter, Set System Clock, Version Numbers, User COIN Port Protocol, Custom Check Digit, OI Hardware Character Set, Save Configuration to PC, Load Configuration from PC, Mode Configuration, and End Session. To the right of the menu is a box labeled "MACHINE STATE". Below the menu is another box labeled "Alarm Tone" with options "Low Tone", "High Tone", and "Previous Menu".

## Document Printer/Film Writer Messages

This option defines messages that may be printed by a document printer or film writer.

- Microimager 70     Microimager 70/AFM     Scanner 900  
 Scanner 923     Scanner/Microimager 990     Scanner 9500

### 1. Select *Doc Printer/Film Writer Msg.*

Messages are limited to thirty-eight (38) characters for Document Printer 1 and 2, and Film Writer, and 12 characters for the DP12, and can include any character that can be input from a standard keyboard (alphabetic, numeric, and special characters).

NOTE: Alphabetic characters are automatically converted to upper case.

The image shows a terminal window titled "Mainframe Configuration". On the left, a list of configuration options is displayed, with "Doc Printer/Film Writer Msg" highlighted in a grey bar. On the right, there is a box labeled "MACHINE STATE".

Mainframe Configuration	
Display Machine Accessories	
Machine ID Number	
Display Language	
Measurement System	
Programmable Function Keys	
Date Format	
Time Format	
Alarm Tone	
<b>Doc Printer/Film Writer Msg</b>	
DP-12 Print Template	
Fixed Field Delimiter	
Set System Clock	
Version Numbers	
User COIN Port Protocol	
Custom Check Digit	
OI Hardware Character Set	
Save Configuration to PC	
Load Configuration from PC	
Mode Configuration	
End Session	

MACHINE STATE

Message 0 is predefined and cannot be changed.

Messages 1 through 9 are programmable using the following sequence of steps:

1. Select a message number.
2. Press **Return/Enter**.
3. Enter the desired message text.
4. Press **Return/Enter**.

Msg	Definition
0	Diagnostic Message - No Entry Allowed.
1	
2	
3	
4	
5	
6	
7	
8	
9	
Prev	Previous Menu



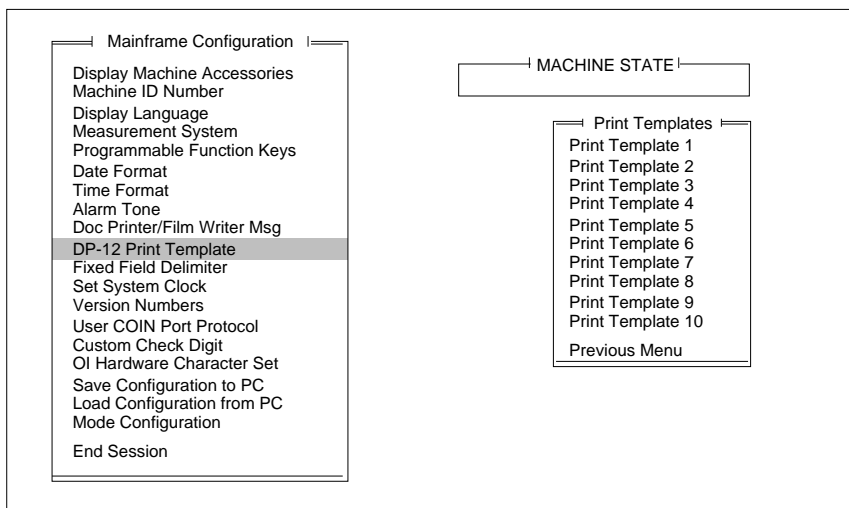
## Print Template Setup

This option defines as many as ten (10) unique print templates.

The template definitions are used when programming Document Printer 12 print definitions. The default print template is Print Template 1, which prints *Full IA w/No Delimiters* on Line 1.

Microimager 70     Microimager 70/AFM     Scanner 900  
 Scanner 923     Scanner/Microimager 990     Scanner 9500

1. Select *DP-12 Print Template*.
2. Select a print template (1–10).



1. Follow these steps for each line/item to be printed (maximum twelve per template):
  - a. Select the next available item number (or Item 1 if this is the first item).
  - b. Enter a line number corresponding to the line number on the print template master.
  - c. Select one or more of the print items listed (maximum three items per line).

NOTE: Anything over 12 characters will be truncated.

Document Printer 12 Print Template #		
Item	Line	Print Item
1	01	<IA-No Del>
2		
3		
4		
5		
6		
7		
8		
9		
10		
11		
12		
Previous Menu		

Print Items

- Full IA w/ No Delimiter
- Full IA w/ FF Delimiter
- Fixed Field Only
- Indexed Fields Only
- Current Field Level
- Number of Spaces to Indent
- Current Day
- Current Date
- Current Time
- Roll Number
- Total Document Count
- Message 1 - 9
- Check Digit
- Nothing Printed
- Previous Menu

If *Number Spaces to Indent* is selected, you must select the desired number of spaces.

No # of Spaces (1..12)

TO CHANGE: Enter Value  
TO RETAIN: Press Enter

If *Check Digit* is selected, the following window is displayed:

Document Printer 12 Print Template #		
Item	Line	Print Item
1	01	<IA-No Del> <Message 1>
2		
3		
4		
5		
6		
7		
8		
9		
10		
11		
12		

Check Digit
Mod 7A - IA Only
Mod 11A - IA Only
Mod 7B - IA Only
Mod 7B - Full IA
Mod 10 - IA Only
Mod 10 - Full IA
Mod 11B - IA Only
Mod 11B - Full IA
Custom - IA Only
Custom - Full IA
Previous Menu

3. Select the desired check digit calculation.

If an option that indicates *IA Only* is chosen, the level fields of the Image Address will be printed; the Fixed Field will not be printed. If an option which indicates *Full IA* is chosen, the Fixed Field and Level fields of the Image Address will be printed.

NOTE: If *Custom – IA Only* or *Custom – Full IA* is chosen, the Check Digit options must be defined.

If *Message Number* is selected, the following window is displayed:

Document Printer 12 Print Template #		
Item	Line	Print Item
1	01	<IA-No Del> <Message 1>
2		
3		
4		
5		
6		
7		
8		
9		
10		
11		
12		

Message Number
Message Number 1
Message Number 2
Message Number 3
Message Number 4
Message Number 5
Message Number 6
Message Number 7
Message Number 8
Message Number 9
Previous Menu

4. Select the desired message number.

The Document Printer 12 may print as many as twelve (12) lines per document; each print line can be up to twelve (12) characters long and contain as many as three print items. The location of the twelve lines is defined in terms of a master template which is thirty-eight (38) lines high and twelve characters wide for the small font, and twenty-six (26) lines high and twelve (12) characters wide for the large font.

The master template is designed to assist you in the placement of information printed by the Document Printer 12.

Follow these steps to use the master templates:

1. Obtain a sample of the customer's document(s).
2. Determine the starting print position (how far from the leading edge of the document printed information should appear).
3. Draw a line on the sample document which corresponds to the starting print position.
4. Copy the master template onto a transparency.
5. Align the top (dotted) line of the master template with the line drawn on the sample document to achieve proper vertical placement.
6. Position the master template so that the window is aligned with the position of the Document Printer 12 in the transport to achieve proper horizontal placement.

The area in which printed information may appear should now be highlighted.

7. Identify the line numbers which correspond to the area(s) of the customer document where you want the printed information to appear. Use these line numbers when defining the print template(s).

NOTE: The placement of printed information will vary slightly due to a number of factors, including document transport speed. Expect a variation of 0.125 inch between the print template and starting print position definitions and the location of actual printed information.

Dotted line = Starting print position (distance from the leading edge of the document).

Line 1	
Line 2	
Line 3	
Line 4	
Line 5	
Line 6	
Line 7	
Line 8	
Line 9	
Line 10	
Line 11	
Line 12	
Line 13	
Line 14	
Line 15	
Line 16	
Line 17	
Line 18	
Line 19	
Line 20	
Line 21	
Line 22	
Line 23	
Line 24	
Line 25	
Line 26	
Line 27	
Line 28	
Line 29	
Line 30	
Line 31	
Line 32	
Line 33	
Line 34	
Line 35	
Line 36	
Line 37	
Line 38	

(5.5 lines per inch)

Vertical placement on the document is dependent upon the position of the Document Printer 12 in the transport plate.

Dotted line = Starting print position (distance from the leading edge of the document).

Line 1	
Line 2	
Line 3	
Line 4	
Line 5	
Line 6	
Line 7	
Line 8	
Line 9	
Line 10	
Line 11	
Line 12	
Line 13	
Line 14	
Line 15	
Line 16	
Line 17	
Line 18	
Line 19	
Line 20	
Line 21	
Line 22	
Line 23	
Line 24	
Line 25	
Line 26	

(4 lines per inch)

Vertical placement on the document is dependent upon the position of the Document Printer 12 in the transport plate.

## Fixed Field Delimiter

This option defines the fixed field delimiter used in the Image Address Display. The default is a *Period (.)*.

NOTE: The Fixed Field Delimiter doesn't appear on the display; it appears when printing the Image Address.

Microimager 70     Microimager 70/AFM     Scanner 900  
 Scanner 923     Scanner/Microimager 990     Scanner 9500

1. Select *Fixed Field Delimiter*.
2. Select the desired Fixed Field delimiter.

NOTE: In order to print the Fixed Field Delimiter using Document Printer 12, the Image Address must be defined as having eleven (11) digits maximum.

The screenshot shows a terminal window with a menu titled "Mainframe Configuration". The menu items are: Display Machine Accessories, Machine ID Number, Display Language, Measurement System, Programmable Function Keys, Date Format, Time Format, Alarm Tone, Doc Printer/Film Writer Msg, DP-12 Print Template, Fixed Field Delimiter (highlighted), Set System Clock, Version Numbers, User COIN Port Protocol, Custom Check Digit, OI Hardware Character Set, Save Configuration to PC, Load Configuration from PC, Mode Configuration, and End Session. To the right of the main menu is a box labeled "MACHINE STATE". Below the main menu is a sub-menu titled "Fixed Field Delimiter" with the following options: Slash (" / "), Dash (" - "), Period (" . "), Space (" "), Back-Slash (" \ "), and Previous Menu.

## Set System Clock

This option sets the system clock.

- Microimager 70    ■ Microimager 70/AFM    ■ Scanner 900
- Scanner 923    ■ Scanner/Microimager 990    ■ Scanner 9500

### 1. Select *Set System Clock*.

The screenshot shows a terminal window with two main panels. The left panel is titled "Mainframe Configuration" and contains a list of menu items. The item "Set System Clock" is highlighted with a grey background. The right panel is titled "MACHINE STATE" and contains a sub-menu titled "Set System Clock". This sub-menu has fields for "Set Month", "Set Day", "Set Year" (with the value "11-10-1992"), "Set Hour", "Set Minute", "Terminal Time" (with the value "01:40"), and "Previous Menu".

If the computer being used to program the unit has its own internal clock:

### 2. Select *Terminal Time* to download the time and date.

This screenshot is similar to the previous one, but the "Terminal Time" field in the "Set System Clock" sub-menu is now highlighted. Below the sub-menu, a "Yes No" dialog box is displayed, indicating a confirmation step.



3. Verify that the terminal time should be downloaded by selecting *Yes*; or to cancel the download, select *No*.

If the computer being used to program the unit does not have an internal clock or the internal clock is not accurate:

4. Select the time or date component you wish to define (*month, day, year, hour or minute*).

The screenshot shows a terminal interface with two main menu areas. On the left, a box titled 'Mainframe Configuration' contains a list of options: Display Machine Accessories, Machine ID Number, Display Language, Measurement System, Programmable Function Keys, Date Format, Time Format, Alarm Tone, Doc Printer/Film Writer Msg, DP-12 Print Template, Fixed Field Delimiter, Set System Clock, Version Numbers, User COIN Port Protocol, Custom Check Digit, OI Hardware Character Set, Save Configuration to PC, Load Configuration from PC, Mode Configuration, and End Session. On the right, a box titled 'MACHINE STATE' contains a sub-menu 'Set System Clock'. This sub-menu has fields for 'Set Month', 'Set Day', 'Set Year', 'Set Hour', and 'Set Minute'. The 'Set Year' field contains '11-10-1992' and the 'Set Minute' field contains '01:40'. Below the 'Set System Clock' menu, there is a prompt 'Enter a new month below' with a text box containing '11'. At the bottom right, instructions read 'To Change: Enter Value' and 'To Retain: Press Enter'.

5. Enter a value for the component selected.

## Version Numbers

This option displays the current software version(s) installed in the machine and is for viewing only; no selections or entries are made.

- Microimager 70    ■ Microimager 70/AFM    ■ Scanner 900
- Scanner 923    ■ Scanner/Microimager 990    ■ Scanner 9500

### 1. Select *Version Numbers*.

The screenshot shows a terminal window titled 'Mainframe Configuration'. The menu items are: Display Machine Accessories, Machine ID Number, Display Language, Measurement System, Programmable Function Keys, Date Format, Time Format, Alarm Tone, Doc Printer/Film Writer Msg, DP-12 Print Template, Fixed Field Delimiter, Set System Clock, **Version Numbers**, User COIN Port Protocol, Custom Check Digit, OI Hardware Character Set, Save Configuration to PC, Load Configuration from PC, Mode Configuration, and End Session. To the right, there is a 'MACHINE STATE' window. Below that, a 'Version #' window is open, displaying the following data:

Version #
AEC : 03.36
BARCO : 04.05
FDS : 07.02
MCP : 08.08
OI : 07.01
PATCH : 02.11
DPC : 07.04
OCR : 00.00
SCSI : 08.06
U CAS : 01.00
L CAS : 00.00
LAPTOP : 02.35

### 2. Press **Return/Enter** to close the Version # window.

NOTE: The following options are not available on scanners 900, 923, and 9500:

AEC: n/a

FDS: n/a

U CAS: n/a

L CAS: n/a

NOTE: On the Microimager 70:

SCSI: n/a

OCR: n/a

NOTE: On the Microimager 70/AFM:

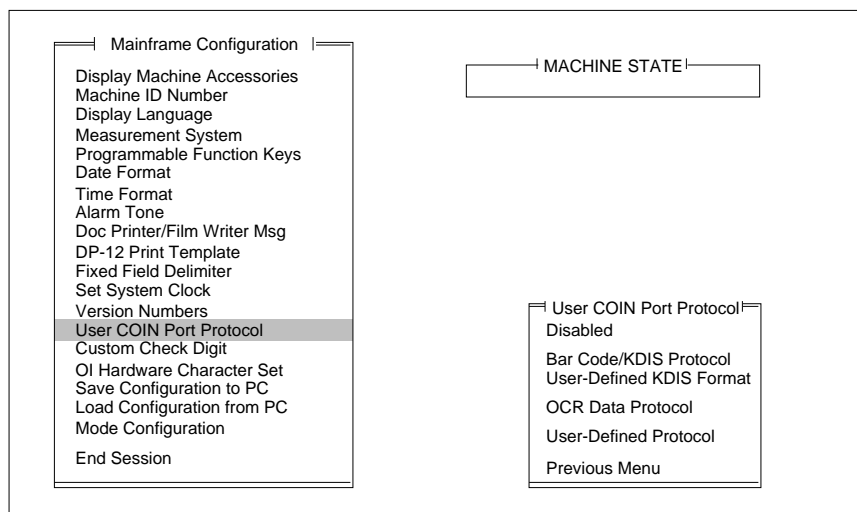
SCSI: n/a

## User COIN Port Protocol

This option enables or disables the user COIN port for communication protocols associated with OCR data, Document Scanning Array / Bar Code Reader, or Customer specified. The default value is *Disabled*.

- Microimager 70    ■ Microimager 70/AFM    ■ Scanner 900
- Scanner 923    ■ Scanner/Microimager 990    ■ Scanner 9500

1. Select *User COIN Port Protocol*.
2. Select the desired User COIN Port protocol.



Bar Code/KDIS Protocol should be selected when using the Bar Code Accessory. This communications protocol does not call for handshaking between the Microimager 70, Scanner 900, Scanner 923, Scanner 9500, or Scanner/Microimager 990 and the host system.

OCR Data Protocol should be selected when using the OCR accessory. This communications protocol calls for handshaking between the Microimager 70, Scanner 900, Scanner 923, or Scanner/Microimager 990 and the host system.

If *User-Defined Protocol* is selected, the following window will be displayed:

<table border="1"> <tr><td colspan="2">Mainframe Configuration</td></tr> <tr><td>Display Machine Accessories</td></tr> <tr><td>Machine ID Number</td></tr> <tr><td>Display Language</td></tr> <tr><td>Measurement System</td></tr> <tr><td>Programmable Function Keys</td></tr> <tr><td>Date Format</td></tr> <tr><td>Time Format</td></tr> <tr><td>Alarm Tone</td></tr> <tr><td>Doc Printer/Film Writer Msg</td></tr> <tr><td>DP-12 Print Template</td></tr> <tr><td>Fixed Field Delimiter</td></tr> <tr><td>Set System Clock</td></tr> <tr><td>Version Numbers</td></tr> <tr><td>User COIN Port Protocol</td></tr> <tr><td>Custom Check Digit</td></tr> <tr><td>OI Hardware Character Set</td></tr> <tr><td>Save Configuration to PC</td></tr> <tr><td>Load Configuration from PC</td></tr> <tr><td>Mode Configuration</td></tr> <tr><td>End Session</td></tr> </table>	Mainframe Configuration		Display Machine Accessories	Machine ID Number	Display Language	Measurement System	Programmable Function Keys	Date Format	Time Format	Alarm Tone	Doc Printer/Film Writer Msg	DP-12 Print Template	Fixed Field Delimiter	Set System Clock	Version Numbers	User COIN Port Protocol	Custom Check Digit	OI Hardware Character Set	Save Configuration to PC	Load Configuration from PC	Mode Configuration	End Session	<table border="1"> <tr><td colspan="2">MACHINE STATE</td></tr> <tr><td colspan="2"> </td></tr> <tr><td colspan="2">User COIN Port Config</td></tr> <tr><td>Baud Rate</td><td>9600</td></tr> <tr><td>Parity Bit</td><td>None</td></tr> <tr><td>Char. Length</td><td>8 Bits</td></tr> <tr><td>Handshaking</td><td>None</td></tr> <tr><td>Update FF</td><td>Update</td></tr> <tr><td colspan="2">Previous Menu</td></tr> <tr><td colspan="2"> </td></tr> <tr><td colspan="2">User COIN Port Protocol</td></tr> <tr><td colspan="2">Disabled</td></tr> <tr><td colspan="2">Bar Code/KDIS Protocol</td></tr> <tr><td colspan="2">User-Defined KDIS Format</td></tr> <tr><td colspan="2">OCR Data Protocol</td></tr> <tr><td colspan="2">User-Defined Protocol</td></tr> <tr><td colspan="2">Previous Menu</td></tr> </table>	MACHINE STATE				User COIN Port Config		Baud Rate	9600	Parity Bit	None	Char. Length	8 Bits	Handshaking	None	Update FF	Update	Previous Menu				User COIN Port Protocol		Disabled		Bar Code/KDIS Protocol		User-Defined KDIS Format		OCR Data Protocol		User-Defined Protocol		Previous Menu	
Mainframe Configuration																																																									
Display Machine Accessories																																																									
Machine ID Number																																																									
Display Language																																																									
Measurement System																																																									
Programmable Function Keys																																																									
Date Format																																																									
Time Format																																																									
Alarm Tone																																																									
Doc Printer/Film Writer Msg																																																									
DP-12 Print Template																																																									
Fixed Field Delimiter																																																									
Set System Clock																																																									
Version Numbers																																																									
User COIN Port Protocol																																																									
Custom Check Digit																																																									
OI Hardware Character Set																																																									
Save Configuration to PC																																																									
Load Configuration from PC																																																									
Mode Configuration																																																									
End Session																																																									
MACHINE STATE																																																									
User COIN Port Config																																																									
Baud Rate	9600																																																								
Parity Bit	None																																																								
Char. Length	8 Bits																																																								
Handshaking	None																																																								
Update FF	Update																																																								
Previous Menu																																																									
User COIN Port Protocol																																																									
Disabled																																																									
Bar Code/KDIS Protocol																																																									
User-Defined KDIS Format																																																									
OCR Data Protocol																																																									
User-Defined Protocol																																																									
Previous Menu																																																									

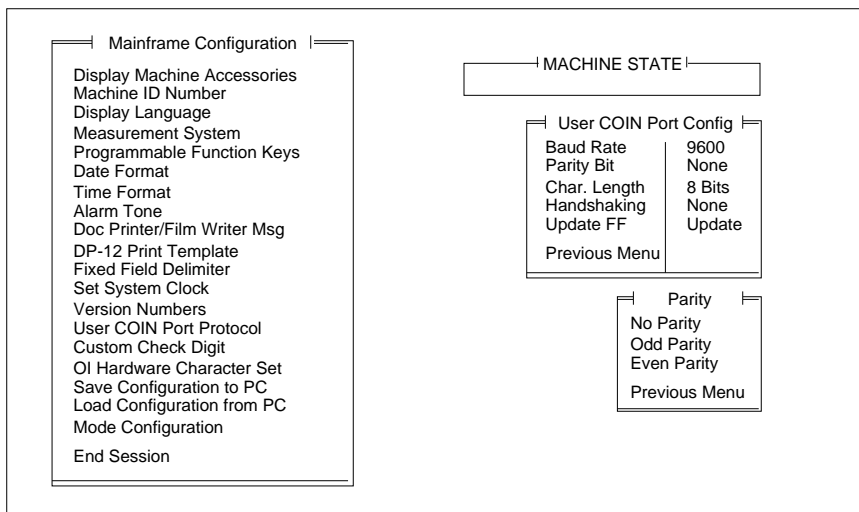
Enter the required configuration information by selecting each of the configuration options in turn and entering the appropriate values:

3. Select *Baud Rate*.
4. Select the desired baud rate.

<table border="1"> <tr><td colspan="2">Mainframe Configuration</td></tr> <tr><td>Display Machine Accessories</td></tr> <tr><td>Machine ID Number</td></tr> <tr><td>Display Language</td></tr> <tr><td>Measurement System</td></tr> <tr><td>Programmable Function Keys</td></tr> <tr><td>Date Format</td></tr> <tr><td>Time Format</td></tr> <tr><td>Alarm Tone</td></tr> <tr><td>Doc Printer/Film Writer Msg</td></tr> <tr><td>DP-12 Print Template</td></tr> <tr><td>Fixed Field Delimiter</td></tr> <tr><td>Set System Clock</td></tr> <tr><td>Version Numbers</td></tr> <tr><td>User COIN Port Protocol</td></tr> <tr><td>Custom Check Digit</td></tr> <tr><td>OI Hardware Character Set</td></tr> <tr><td>Save Configuration to PC</td></tr> <tr><td>Load Configuration from PC</td></tr> <tr><td>Mode Configuration</td></tr> <tr><td>End Session</td></tr> </table>	Mainframe Configuration		Display Machine Accessories	Machine ID Number	Display Language	Measurement System	Programmable Function Keys	Date Format	Time Format	Alarm Tone	Doc Printer/Film Writer Msg	DP-12 Print Template	Fixed Field Delimiter	Set System Clock	Version Numbers	User COIN Port Protocol	Custom Check Digit	OI Hardware Character Set	Save Configuration to PC	Load Configuration from PC	Mode Configuration	End Session	<table border="1"> <tr><td colspan="2">MACHINE STATE</td></tr> <tr><td colspan="2"> </td></tr> <tr><td colspan="2">User COIN Port Config</td></tr> <tr><td>Baud Rate</td><td>9600</td></tr> <tr><td>Parity Bit</td><td>None</td></tr> <tr><td>Char. Length</td><td>8 Bits</td></tr> <tr><td>Handshaking</td><td>None</td></tr> <tr><td>Update FF</td><td>Update</td></tr> <tr><td colspan="2">Previous Menu</td></tr> <tr><td colspan="2"> </td></tr> <tr><td colspan="2">Baud Rate</td></tr> <tr><td colspan="2">300</td></tr> <tr><td colspan="2">600</td></tr> <tr><td colspan="2">1200</td></tr> <tr><td colspan="2">2400</td></tr> <tr><td colspan="2">4800</td></tr> <tr><td colspan="2">9600</td></tr> <tr><td colspan="2">19.2</td></tr> <tr><td colspan="2">Previous Menu</td></tr> </table>	MACHINE STATE				User COIN Port Config		Baud Rate	9600	Parity Bit	None	Char. Length	8 Bits	Handshaking	None	Update FF	Update	Previous Menu				Baud Rate		300		600		1200		2400		4800		9600		19.2		Previous Menu	
Mainframe Configuration																																																													
Display Machine Accessories																																																													
Machine ID Number																																																													
Display Language																																																													
Measurement System																																																													
Programmable Function Keys																																																													
Date Format																																																													
Time Format																																																													
Alarm Tone																																																													
Doc Printer/Film Writer Msg																																																													
DP-12 Print Template																																																													
Fixed Field Delimiter																																																													
Set System Clock																																																													
Version Numbers																																																													
User COIN Port Protocol																																																													
Custom Check Digit																																																													
OI Hardware Character Set																																																													
Save Configuration to PC																																																													
Load Configuration from PC																																																													
Mode Configuration																																																													
End Session																																																													
MACHINE STATE																																																													
User COIN Port Config																																																													
Baud Rate	9600																																																												
Parity Bit	None																																																												
Char. Length	8 Bits																																																												
Handshaking	None																																																												
Update FF	Update																																																												
Previous Menu																																																													
Baud Rate																																																													
300																																																													
600																																																													
1200																																																													
2400																																																													
4800																																																													
9600																																																													
19.2																																																													
Previous Menu																																																													

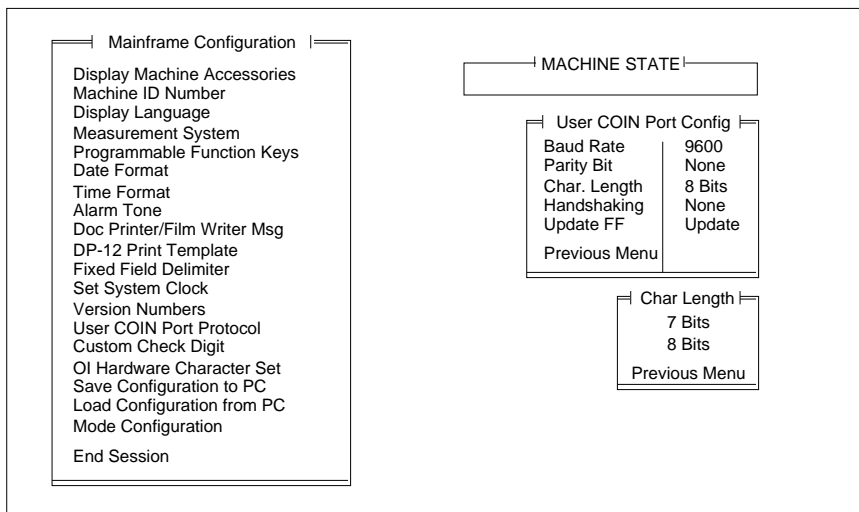
5. Select *Parity Bit*.

6. Select the desired parity.



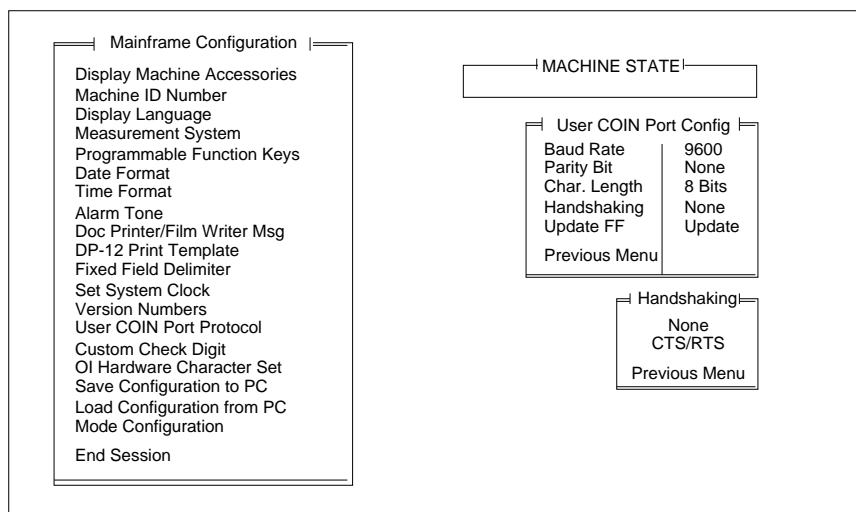
7. Select *Char. Length*.

8. Select the desired character length.



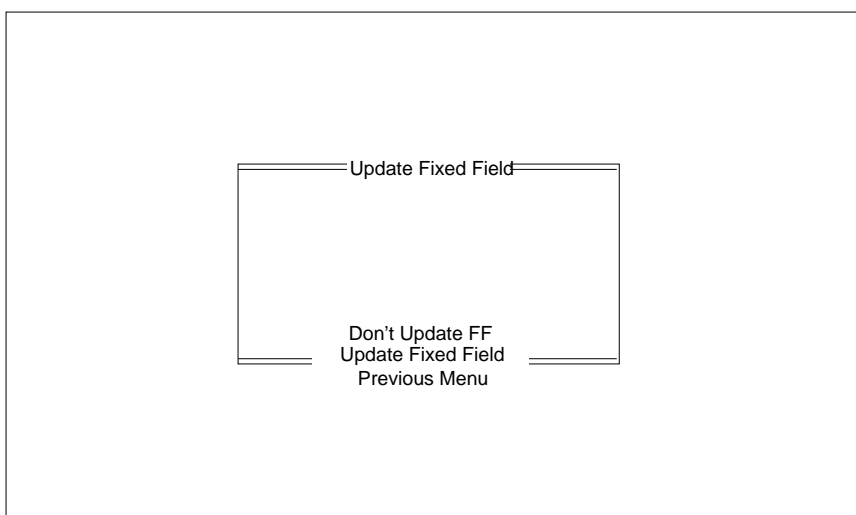
9. Select *Handshaking*.

10. Select the handshaking protocol.



11. Select *Update F.F.*

12. Select Fixed Field option.



13. Select *Previous Menu* to close the User COIN Port Config window.

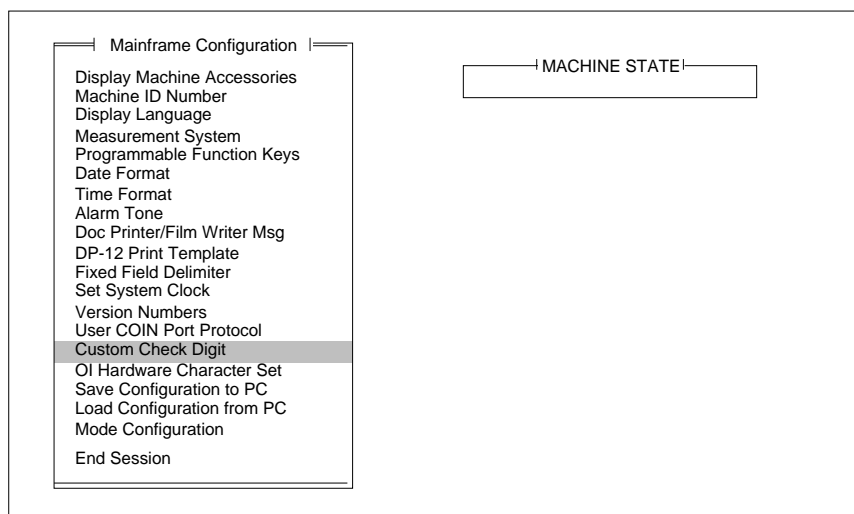
## Custom Check Digit

This option determines the check digit algorithm to be used when a custom check digit is calculated.

NOTE: If a standard check digit algorithm is desired, specify the desired algorithm during Image Address print definitions within each mode setup.

- Microimager 70     Microimager 70/AFM     Scanner 900  
 Scanner 923     Scanner/Microimager 990     Scanner 9500

### 1. Select *Custom Check Digit*.



The check digit is used to ensure the integrity of the Image Address.

All parameters in the algorithm are user-definable, offering a high degree of flexibility.

During filming and/or scanning, the microfilmer or scanner assigns each document an Image Address. The Image Address is used to compute the check digit. The check digit then becomes the rightmost digit of the Image Address (therefore, the Image Address must be defined as having a maximum of eleven (11) characters).

NOTE: Because only one position is reserved, the check digit defaults to zero when the following conditions occur:

- The Lookup Table is used and the check digit is greater than ten (10).
- The Lookup Table is not used and the check digit is greater than nine (9).

Custom Check Digit Definition

Custom Check Digit Formula

$$\text{Check Digit} = \text{Constant 2} - \frac{[\text{Sum of IA Digits} * \text{Attributes}] + \text{Constant 1}}{\text{Divisor}}$$

Parameter	Current Value
Attributes	46231546231
Constant 1	00
Constant 2	00
Divisor	07
Left/Right	Right
LUT Status	No
Lookup Table	abcdefghijkl
Help	
Previous Menu	

The parameters displayed in the Custom Check Digit Definition window must be defined.

The following section contains an explanation of each field:

- Constant 2—A constant value in the range 0 through 99.
- IA Digits—The digits comprising the Image Address. The Image Address may contain a fixed field as many as three level fields. The Image Address cannot exceed 11 data characters when accompanied by a check digit; the check digit occupies one character position.
- Attributes—These are position weights for digits in the Image Address. A zero-value attribute causes the associated Image Address digit to be excluded from the check digit calculation. Each digit in the Image Address is multiplied by its attribute and summed. For example, if the Image Address is 1202.14.342.12 and you wish to calculate a check digit that excludes the fixed field (1202), the attributes (using Table 1) would be 00001546231.

Table 1: Default Image Address Attributes

C10	c9	c8	c7	c6	c5	c4	c3	c2	c1	c0
4	6	2	3	1	5	4	6	2	3	1

NOTE: The “c” in Table 1 refers to the character position.



- Constant1—A constant value in the range 0 through 99.
- Divisor—a constant value between 0 and 99.

NOTE: The divisor is not used if value specified is zero (0).

In addition to the parameters in the equation, there are other user defined parameters which affect check digit processing:

- Left/Right specifier (also referred to as L/R of Decimal)—Indicates the location of the check digit in relation to the decimal point in the calculation results. This rule is applied to the  $([\text{Sum of IA Digits} * \text{Attributes}] = \text{Constant 1}) / \text{Divisor}$  portion of the calculation. If Left is specified, the check digit is the digit immediately to the left of the decimal point; if Right is specified, the digit immediately to the right of the decimal point is the check digit. For example: If the calculation produces the number 123.45 and Right is the designated Left/Right parameter, then 4 is used.

The following are exceptions to the Left/Right specifier rule:

- If Constant2 is not zero, and the Left/Right specifier is Left, the check digit equals the difference between Constant2 and the first digit to the left of the decimal point. If Constant2 is zero, the first digit to the left of the decimal point becomes the check digit.
  - If Constant2 is not zero and the Left/Right specifier is Right, the check digit equals the difference between Constant2 and the first digit to the right of the decimal. If Constant2 is zero, the first digit to the right of the decimal point becomes the check digit.
- LUT (Lookup Table) Status—If Yes, the final check digit calculated is used as an index into a lookup table. If No is specified, the lookup table is ignored.
  - Lookup table—A table of check digit values (refer to Table 2).

Table 2: Default Lookup Table values

C10	c9	c8	c7	c6	c5	c4	c3	c2	c1	c0
a	b	c	d	e	f	g	h	i	j	k

### Sample check digit calculation #1

Assume the following:

Image Address	=	123.45.678.912
Attributes	=	46231546231
Constant 1	=	7
Constant 2	=	10
Divisor	=	11
Left/Right	=	Right
LUT Status	=	No/off
Lookup Table	=	abcdefghijkl

Then the check digit calculation would be:

1. Set up the equation:

$$\text{Check Digit} = 10 - [\text{Calculation 1}] + 7$$

$$\text{Calculation 1} = (2 \times 1) + (1 \times 3) + (9 \times 2) + (8 \times 6) + (7 \times 4) + (6 \times 5) + (5 \times 1) + (4 \times 3) + (3 \times 2) + (2 \times 6) + (1 \times 4)$$

2. Calculate the value of the fraction:

$$168 + 7 = 15.91$$

3. Apply the Left/Right parameter:

$$15.91 = 5 \text{ if Left is specified}$$

$$15.91 = 9 \text{ if Right is specified}$$

In this example, 9 is used.

4. Complete the calculation:

$$10 - 9 = 1$$

In this example, 1 is the check digit. The Image Address printed by the Document Printer would be: 123.45.678.9121

NOTE: Because only one position is reserved, the check digit defaults to zero when the following conditions occur:

- The Lookup Table is used and the check digit is greater than ten (10).
- The Lookup Table is not used and the check digit is greater than nine (9).

## Sample check digit calculation #2

Assume the following:

Image Address	=	123.45.678.912
Attributes	=	46231546231
Constant 1	=	7
Constant 2	=	10
Divisor	=	11
Left/Right	=	Right
LUT Status	=	Yes/on
Lookup Table	=	abcdefghijkl

Then the check digit calculation would be:

1. Set up the equation:

$$\text{Check Digit} = 10 - [\text{Calculation 1}] + 7$$

$$\text{Calculation 1} = (2 \times 1) + (1 \times 3) + (9 \times 2) + (8 \times 6) + (7 \times 4) + (6 \times 5) + (5 \times 1) + (4 \times 3) + (3 \times 2) + (2 \times 6) + (1 \times 4)$$

2. Calculate the value of the fraction:

$$168 + 7 = 15.91$$

3. Apply the Left/Right parameter:

$$15.91 = 5 \text{ if Left is specified}$$

$$15.91 = 9 \text{ if Right is specified}$$

In this example, 9 is used.

4. Complete the calculation:

$$10 - 9 = 1$$

5. Apply the Lookup Table values:

1 cross references to B

In this example, 1 is the check digit. The Image Address printed by the Document Printer would be: 123.45.678.912B.

NOTE: Because only one position is reserved, the check digit defaults to zero when the following conditions occur:

- The Lookup Table is used and the check digit is greater than ten (10).
- The Lookup Table is not used and the check digit is greater than nine (9).

To program a custom check digit algorithm, use the following sequence of steps:

1. Select the Attributes parameter for definition.
2. Enter the desired attribute values.

Custom Check Digit Definition

Custom Check Digit Formula

$$\text{Check Digit} = \text{Constant 2} - \frac{[\text{Sum of IA Digits} * \text{Attributes}] + \text{Constant 1}}{\text{Divisor}}$$

Parameter	Current Value
Attributes	46231546231
Constant 1	00
Constant 2	00
Divisor	07
Left/Right	Right
LUT Status	No
Lookup Table	abcdefghijkl
Help	
Previous Menu	

Enter attribute values.  
Req'd entry 11 digits.

46231546231

To Change: Enter Value  
To Retain: Press Enter

3. Select the Constant1 parameter for definition.
4. Enter a value between 00 – 99.

Custom Check Digit Definition

Custom Check Digit Formula

$$\text{Check Digit} = \text{Constant 2} - \frac{[\text{Sum of IA Digits} * \text{Attributes}] + \text{Constant 1}}{\text{Divisor}}$$

Parameter	Current Value
Attributes	46231546231
Constant 1	00
Constant 2	00
Divisor	07
Left/Right	Right
LUT Status	No
Lookup Table	abcdefghijkl
Help	
Previous Menu	

Enter constant #1.  
Req'd entry 2 digits.

00

To Change: Enter Value  
To Retain: Press Enter

5. Select the Constant2 parameter for definition.
6. Enter a value between 00 – 99.

Custom Check Digit Definition

Custom Check Digit Formula

$$\text{Check Digit} = \frac{\text{Constant 2} - [\text{Sum of IA Digits} * \text{Attributes}] + \text{Constant 1}}{\text{Divisor}}$$

Parameter	Current Value
Attributes	46231546231
Constant 1	00
Constant 2	00
Divisor	07
Left/Right	Right
LUT Status	No
Lookup Table	abcdefghijkl
Help	
Previous Menu	

Enter constant #2.  
Req'd entry 2 digits.

00

To Change: Enter Value  
To Retain: Press Enter

7. Select the Divisor parameter for definition.
8. Enter a value between 00 – 99.

Custom Check Digit Definition

Custom Check Digit Formula

$$\text{Check Digit} = \frac{\text{Constant 2} - [\text{Sum of IA Digits} * \text{Attributes}] + \text{Constant 1}}{\text{Divisor}}$$

Parameter	Current Value
Attributes	46231546231
Constant 1	00
Constant 2	00
Divisor	07
Left/Right	Right
LUT Status	No
Lookup Table	abcdefghijkl
Help	
Previous Menu	

Enter divisor.  
Req'd entry 2 digits.

07

To Change: Enter Value  
To Retain: Press Enter

9. Select the Left/Right parameter for definition.
10. Select the digit to be used during calculation of the check digit.

Custom Check Digit Definition

Custom Check Digit Formula

$$\text{Check Digit} = \text{Constant 2} - \frac{[\text{Sum of IA Digits} * \text{Attributes}] + \text{Constant 1}}{\text{Divisor}}$$

Parameter	Current Value
Attributes	46231546231
Constant 1	00
Constant 2	00
Divisor	07
Left/Right	Right
LUT Status	No
Lookup Table	abcdefghijkl
Help	
Previous Menu	

Start Formula at:

Left of Decimal Pt

Right of Decimal Pt

Previous Menu

11. Select the LUT Status parameter for definition.
12. Select the desired option depending upon whether or not a lookup table will be used.

Custom Check Digit Definition

Custom Check Digit Formula

$$\text{Check Digit} = \text{Constant 2} - \frac{[\text{Sum of IA Digits} * \text{Attributes}] + \text{Constant 1}}{\text{Divisor}}$$

Parameter	Current Value
Attributes	46231546231
Constant 1	00
Constant 2	00
Divisor	07
Left/Right	Right
LUT Status	No
Lookup Table	abcdefghijkl
Help	
Previous Menu	

Lookup Table Status:

Don't use Lookup Table

Use Lookup Table

Previous Menu

13. Select the Lookup Table parameter for definition.

14. Enter the desired lookup table values.

Custom Check Digit Definition

Custom Check Digit Formula

$$\text{Check Digit} = \text{Constant 2} - \frac{[\text{Sum of IA Digits} * \text{Attributes}] + \text{Constant 1}}{\text{Divisor}}$$

Parameter	Current Value
Attributes	46231546231
Constant 1	00
Constant 2	00
Divisor	07
Left/Right	Right
LUT Status	No
Lookup Table	abcdefghijkl
Help	
Previous Menu	

Enter lookup table.  
Req'd entry 11 digits.

abcdefghijkl

To Change: Enter Value  
To Retain: Press Enter

### Custom Check Digit Configuration Help

Parameters	Explanation
Attributes	These are position weights for digit in the IA. A zero-value attribute causes the associated IA digit to be excluded from the check digit calculation. Each digit in the IA is multiplied by its attribute and summed.
Constant 1	A constant in the range 00–99.
Constant 2	A constant in the range 00–99.
Divisor	A constant in the range 00–99. Not used if value is zero.
Left/Right	Indicates the location of the check digit in relation to the decimal point in the calculation results. If left is specified, the check digit is immediately to the left of the decimal point and vice versa.
LUT Status	If <b>Yes</b> , the final check digit calculated is used as an index into a lookup table. If <b>No</b> , the lookup table is ignored.
Lookup Table	A table of check digit values.

## OI Hardware Character Set

This option defines non-English character sets which may be used by the Operator Interface, Document Printers and the Film Writer. English characters are contained in both sets. The default OI character set is Anglo/Japanese.

Microimager 70     Microimager 70/AFM     Scanner 900  
 Scanner 923     Scanner/Microimager 990     Scanner 9500

1. Select *OI Hardware Character Set*.
2. Enter the desired printer font option.

NOTE: The proper hardware display module must be installed.

The screenshot shows a terminal window with a menu titled "Mainframe Configuration". The menu items are: Display Machine Accessories, Machine ID Number, Display Language, Measurement System, Programmable Function Keys, Date Format, Time Format, Alarm Tone, Doc Printer/Film Writer Msg, DP-12 Print Template, Fixed Field Delimiter, Set System Clock, Version Numbers, User COIN Port Protocol, Custom Check Digit, OI Hardware Character Set (highlighted), Save Configuration to PC, Load Configuration from PC, Mode Configuration, and End Session. To the right, there is a "MACHINE STATE" box which is empty. Below it is an "Instructions" box with two numbered steps: 1. Check the character display on the bottom line of the OI. 2. Select the character set based on the character. Below the instructions is a table: Character Set, with a dash character for Anglo/Japanese and an 'e' character for Anglo/European. At the bottom right is a "Printer Font" box with three options: Anglo/Japanese, Anglo/European, and Previous Menu.

MACHINE STATE	

Instructions	
1. Check the character display on the bottom line of the OI.	
2. Select the character set based on the character.	
Character	Set
-	Anglo/Japanese
e	Anglo/European

Printer Font	
Anglo/Japanese	
Anglo/European	
Previous Menu	

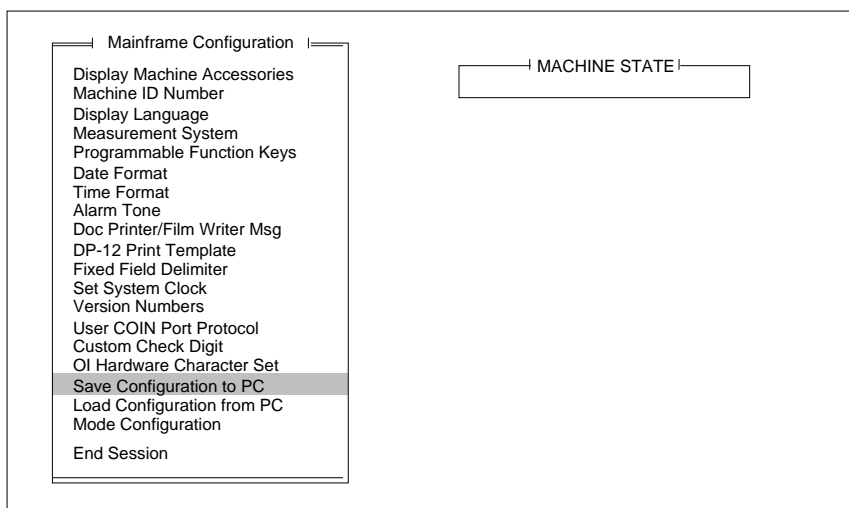


## Save Configuration to PC

This option is used to download a configuration file from the scanner or microfilmer onto diskette. This is useful in creating configuration files which may be transported to other units (see the *Load Config from PC* option). This is also used to create backup files. This option should be performed any time an installation or setup change is completed.

- Microimager 70    ■ Microimager 70/AFM    ■ Scanner 900
- Scanner 923    ■ Scanner/Microimager 990    ■ Scanner 9500

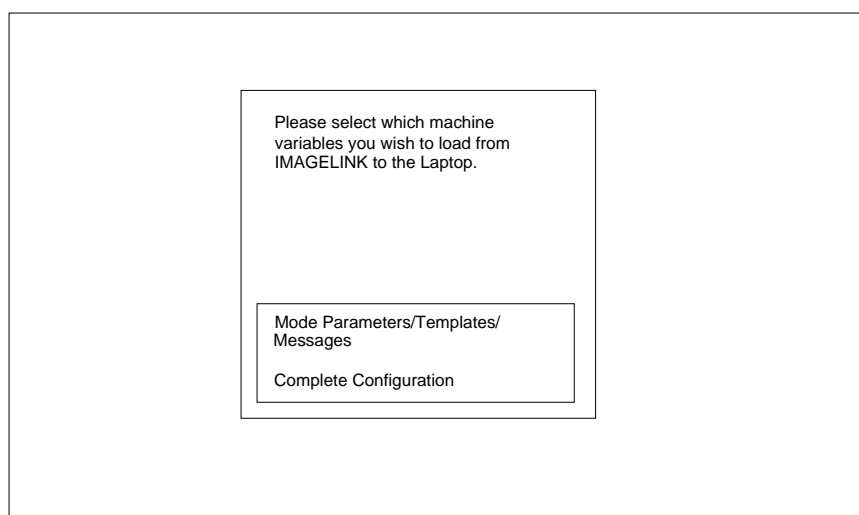
1. Select *Save Configuration to PC*.
2. Enter a file name (up to 8 characters long – no special characters allowed).



The screenshot shows a terminal window titled "Mainframe Configuration". On the left, a list of menu items is displayed, with "Save Configuration to PC" highlighted. On the right, there is a field labeled "MACHINE STATE".

Mainframe Configuration	MACHINE STATE
Display Machine Accessories	
Machine ID Number	
Display Language	
Measurement System	
Programmable Function Keys	
Date Format	
Time Format	
Alarm Tone	
Doc Printer/Film Writer Msg	
DP-12 Print Template	
Fixed Field Delimiter	
Set System Clock	
Version Numbers	
User COIN Port Protocol	
Custom Check Digit	
OI Hardware Character Set	
<b>Save Configuration to PC</b>	
Load Configuration from PC	
Mode Configuration	
End Session	

3. Select *Complete Configuration*.



The screenshot shows a terminal window with a prompt: "Please select which machine variables you wish to load from IMAGELINK to the Laptop." Below the prompt is a box containing two options: "Mode Parameters/Templates/ Messages" and "Complete Configuration".

Please select which machine variables you wish to load from IMAGELINK to the Laptop.

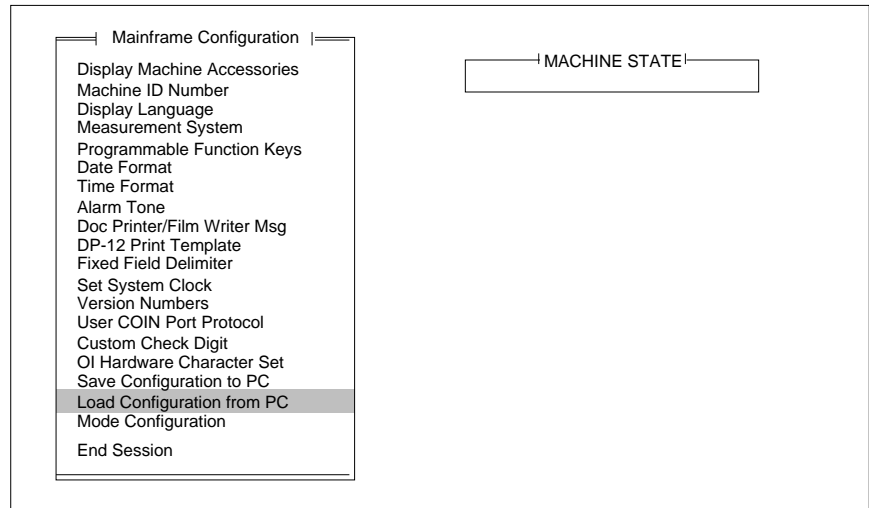
Mode Parameters/Templates/ Messages
Complete Configuration

## Load Configuration from PC

This option is used to upload a configuration file from diskette to the scanner or microfilmer.

- Microimager 70    ■ Microimager 70/AFM    ■ Scanner 900
- Scanner 923    ■ Scanner/Microimager 990    ■ Scanner 9500

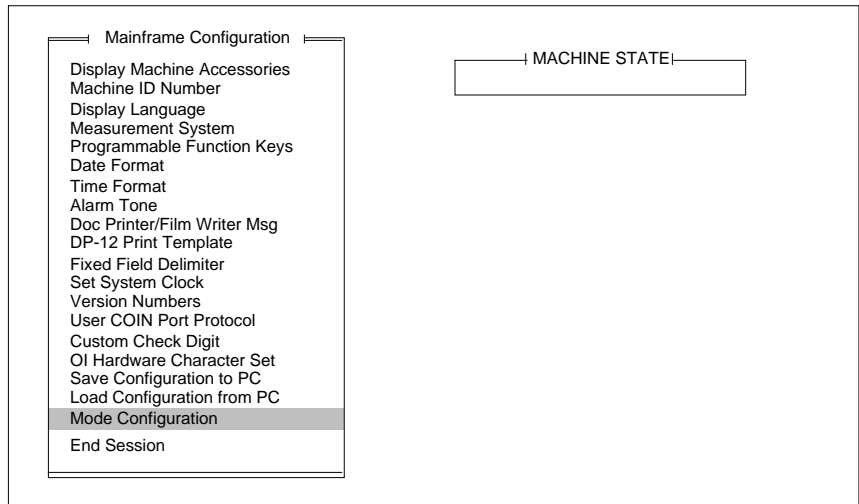
1. Select *Load Configuration from PC*.
2. Enter a file name to upload.



### 3 Selecting the Mode Configuration Window

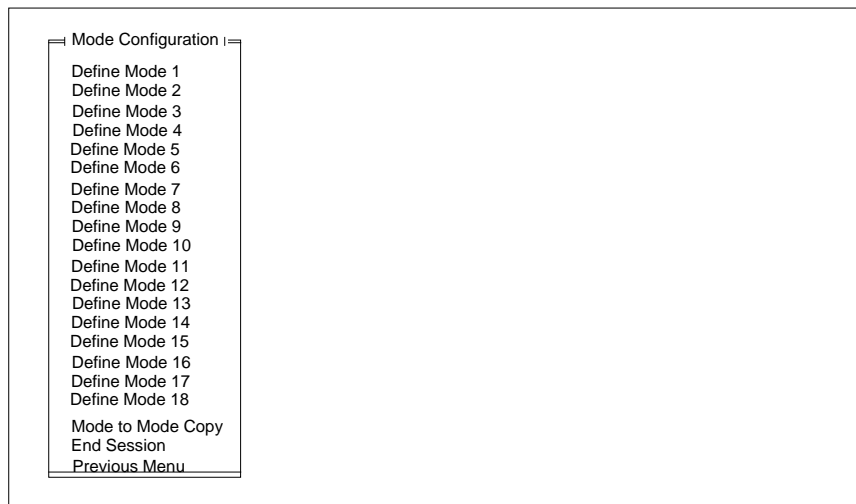
---

This section lists the Mode Definitions for the Scanner/Microimager. Follow these steps to select the Mode Definition screen.



1. Select *Mode Configuration*.

The following window will be displayed:



2. Select a mode to be defined.

The Mode Configuration window will be displayed, with the Mode Number you selected for definition displayed at the top.

Mode Number: 10		Mode Name: MODE10	
Mode Configuration			
MODE 10	Mode Name	Ftswitch Pressed	Undef
3 Lvl	Index Format	Ftswitch Released	Undef
Supprs	IA Display Format	Ftswitch Cnf Tone	Off
4233	IA Field Widths	Patch Reader 1	Off
2112	Level Rules	Patch Reader 2	Off
None	Batching	Patch Definition	Lvl 2
Auto	AEC Mode	Bar Code	On
Duplex	Film Mode	Confirmation Tone	N N N
????	Reduction Ratio	OCR Status	Off
1 Roll	# of Cassettes	COIN User Channel	On
Comic	Film Writer	Printer Control	Disply
Off	Image Mgmt Code	Primary DP-1	Off
Off	Length Monitor	Secondary DP-1	Off
Off	Skew Monitor	Doc. Printer 12	Off
Xport	Check Stacker	Document Sorter	Off
Off	Endorser	Mode Overrides	No Sav
	Not Used	Film Definition	F
Save & End Session		Don't Save & End Session	
Previous Menu		End Configuration	

This window provides access to all of the mode definition parameters.

NOTE: The following options are not available on scanners 900, 923, and 9500:

- AEC Mode
- Film Mode
- Reduction Ratio
- # of Cassettes
- Film Writer
- Image Mgmt Code
- Film Definition = NoF

## Mode Definitions

The following section lists the items on the Mode Configuration Menu that may be selected for definition. Unavailable machine types are indicated by hollow boxes.

### Mode Name

This option defines the mode name.

- Microimager 70     Microimager 70/AFM     Scanner 900  
 Scanner 923     Scanner/Microimager 990     Scanner 9500

1. Select *Mode Name*.

Mode Number: 10		Mode Name: MODE10	
Mode Configuration			
MODE 10	Mode Name	Ftswitch Pressed	Undef
3 Lvl	Index Format	Ftswitch Released	Undef
Supprs	IA Display Format	Ftswitch Cnf Tone	Off
4233	IA Field Widths	Patch Reader 1	Off
2112	Level Rules	Patch Reader 2	Off
None	Batching	Patch Definition	Lvl 2
Auto	AEC Mode	Bar Code	Off
Duplex	Film Mode	Confirmation Tone	N N N
?????	Reduction Ratio	OCR Status	Off
1 Roll	# of Cassettes	COIN User Channel	On
Comic	Film Writer	Printer Control	Disply
Off	Image Mgmt Code	Primary DP-1	Off
Off	Length Monitor	Secondary DP-1	Off
Off	Skew Monitor	Doc. Printer 12	Off
Xport	Check Stacker	Document Sorter	Off
Off	Endorser	Mode Overrides	No Sav
	Not Used	Film Definition	F
Save & End Session		Don't Save & End Session	
Previous Menu		End Configuration	

Enter Mode Name

2. Enter a ten (10) character (maximum) alphanumeric name.

## Index Format

This mode defines the index format used by the application mode. Refer to *Description 3: Index Formats* for a description of the index formats.

Microimager 70     Microimager 70/AFM     Scanner 900  
 Scanner 923     Scanner/Microimager 990     Scanner 9500

When using a Microimager 70 without the Advanced Function Module installed, only the index format for Mode 8 and Mode 9 may be defined; the index format is predefined and unalterable in Mode 1 through Mode 7. The predefined values are:

- Mode 1—Single Level
- Mode 2—Two Level Offset
- Mode 3—Two Level
- Mode 4—Three Level Offset
- Mode 5—Three Level
- Mode 6—Two Level
- Mode 7—Two Level Offset

When using a Microimager with the Advanced Function Module installed, Scanner 900, Scanner 923, Scanner 9500, or Scanner/Microimager 990, the index format for all modes may be defined.

### 1. Select *Index Format*.

Mode Number: 10		Mode Name: MODE10																																																																												
Mode Configuration																																																																														
MODE 10 3 Lvl Supprs 4233 2112 None Auto Duplex ????? 1 Roll Comic Off Off Off Xport Off	<table border="1" style="width: 100%; border-collapse: collapse;"> <thead> <tr> <th style="text-align: left;">Mode Name</th> <th style="text-align: left;">Value</th> </tr> </thead> <tbody> <tr><td>Index Format</td><td></td></tr> <tr><td>IA Display Format</td><td></td></tr> <tr><td>IA Field Widths</td><td></td></tr> <tr><td>Level Rules</td><td></td></tr> <tr><td>Batching</td><td></td></tr> <tr><td>AEC Mode</td><td></td></tr> <tr><td>Film Mode</td><td></td></tr> <tr><td>Reduction Ratio</td><td></td></tr> <tr><td># of Cassettes</td><td></td></tr> <tr><td>Film Writer</td><td></td></tr> <tr><td>Image Mgmt Code</td><td></td></tr> <tr><td>Length Monitor</td><td></td></tr> <tr><td>Skew Monitor</td><td></td></tr> <tr><td>Check Stacker</td><td></td></tr> <tr><td>Endorser</td><td></td></tr> <tr><td>Not Used</td><td></td></tr> </tbody> </table>	Mode Name	Value	Index Format		IA Display Format		IA Field Widths		Level Rules		Batching		AEC Mode		Film Mode		Reduction Ratio		# of Cassettes		Film Writer		Image Mgmt Code		Length Monitor		Skew Monitor		Check Stacker		Endorser		Not Used		<table border="1" style="width: 100%; border-collapse: collapse;"> <tbody> <tr><td>Ftswitch Pressed</td><td>Undef</td></tr> <tr><td>Ftswitch Released</td><td>Undef</td></tr> <tr><td>Ftswitch Cnf Tone</td><td>Off</td></tr> <tr><td>Patch Reader 1</td><td>Off</td></tr> <tr><td>Patch Reader 2</td><td>Off</td></tr> <tr><td>Patch Definition</td><td>Lvl 2</td></tr> <tr><td>Bar Code</td><td>Off</td></tr> <tr><td>Confirmation Tone</td><td>N N N</td></tr> <tr><td>OCR Status</td><td>Off</td></tr> <tr><td>COIN User Channel</td><td>On</td></tr> <tr><td>Printer Control</td><td>Disply</td></tr> <tr><td>Primary DP-1</td><td>Off</td></tr> <tr><td>Secondary DP-1</td><td>Off</td></tr> <tr><td>Doc. Printer 12</td><td>Off</td></tr> <tr><td>Document Sorter</td><td>Off</td></tr> <tr><td>Mode Overrides</td><td>No Sav</td></tr> <tr><td>Film Definition</td><td>F</td></tr> </tbody> </table>	Ftswitch Pressed	Undef	Ftswitch Released	Undef	Ftswitch Cnf Tone	Off	Patch Reader 1	Off	Patch Reader 2	Off	Patch Definition	Lvl 2	Bar Code	Off	Confirmation Tone	N N N	OCR Status	Off	COIN User Channel	On	Printer Control	Disply	Primary DP-1	Off	Secondary DP-1	Off	Doc. Printer 12	Off	Document Sorter	Off	Mode Overrides	No Sav	Film Definition	F	<table border="1" style="width: 100%; border-collapse: collapse;"> <thead> <tr> <th style="text-align: left;">Index Format</th> </tr> </thead> <tbody> <tr><td>Single Level</td></tr> <tr><td>Two Level</td></tr> <tr><td>Three Level</td></tr> <tr><td>Two Level Offset</td></tr> <tr><td>Three Level Offset</td></tr> <tr><td>Previous Menu</td></tr> </tbody> </table>	Index Format	Single Level	Two Level	Three Level	Two Level Offset	Three Level Offset	Previous Menu
Mode Name	Value																																																																													
Index Format																																																																														
IA Display Format																																																																														
IA Field Widths																																																																														
Level Rules																																																																														
Batching																																																																														
AEC Mode																																																																														
Film Mode																																																																														
Reduction Ratio																																																																														
# of Cassettes																																																																														
Film Writer																																																																														
Image Mgmt Code																																																																														
Length Monitor																																																																														
Skew Monitor																																																																														
Check Stacker																																																																														
Endorser																																																																														
Not Used																																																																														
Ftswitch Pressed	Undef																																																																													
Ftswitch Released	Undef																																																																													
Ftswitch Cnf Tone	Off																																																																													
Patch Reader 1	Off																																																																													
Patch Reader 2	Off																																																																													
Patch Definition	Lvl 2																																																																													
Bar Code	Off																																																																													
Confirmation Tone	N N N																																																																													
OCR Status	Off																																																																													
COIN User Channel	On																																																																													
Printer Control	Disply																																																																													
Primary DP-1	Off																																																																													
Secondary DP-1	Off																																																																													
Doc. Printer 12	Off																																																																													
Document Sorter	Off																																																																													
Mode Overrides	No Sav																																																																													
Film Definition	F																																																																													
Index Format																																																																														
Single Level																																																																														
Two Level																																																																														
Three Level																																																																														
Two Level Offset																																																																														
Three Level Offset																																																																														
Previous Menu																																																																														
Save & End Session		Don't Save & End Session																																																																												
Previous Menu		End Configuration																																																																												

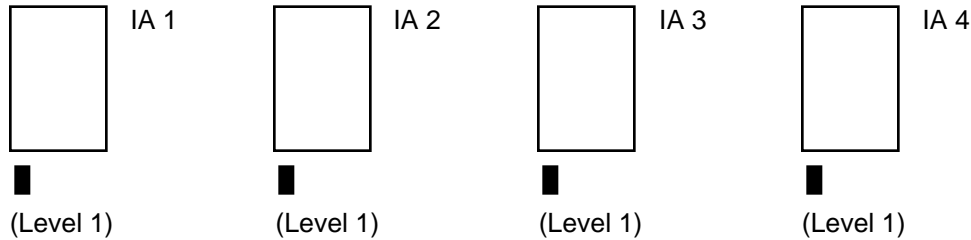
### 2. Select the desired index format option.

**NOTE:** If you intend to link the current mode with another mode, the index format chosen for both modes must be the same.

### Description 3: Index Formats

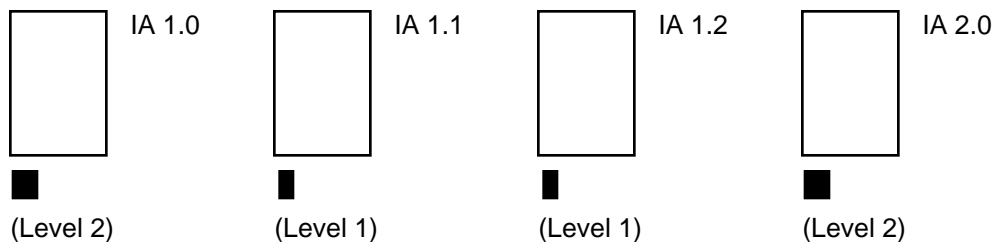
There are five Index Format options available:

#### Single Level



Whenever a small image mark is placed next to a document and/or a document is assigned Level 1, the Image Address field associated with Level 1 (Field A) is incremented.

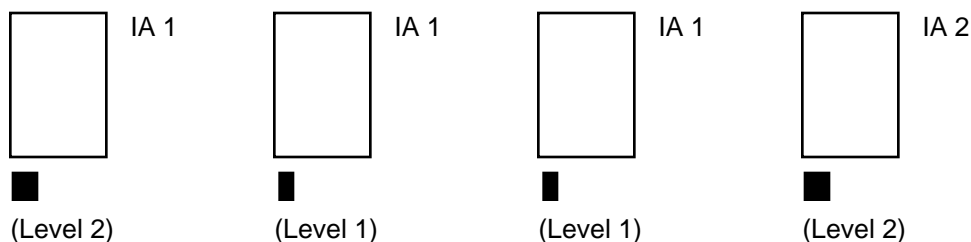
#### Two Level



Whenever a medium image mark is placed next to a document and/or the document is assigned Level 2, the Image Address field associated with Level 2 (Field B) is incremented and the field associated with Level 1 (Field A) is set to zero.

Whenever a small image mark is placed next to a document and/or a document is assigned Level 1, the Image Address field associated with Level 2 (Field B) is unchanged and the field associated with Level 1 (Field A) is incremented.

#### Two Level Offset

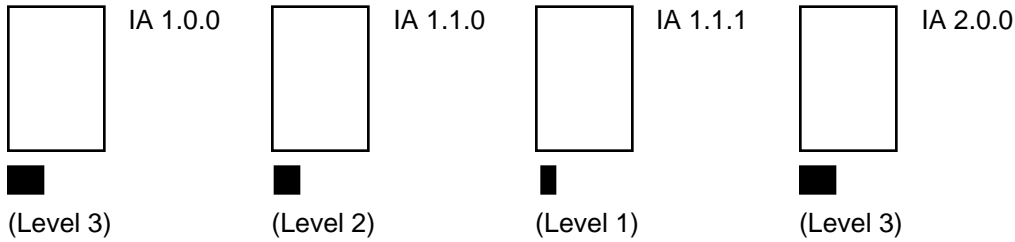


Whenever a medium image mark is placed next to a document and/or a document is assigned Level 2, the Image Address field associated with Level 2 (Field B) is incremented.

Whenever a small image mark is placed next to a document and/or a document is assigned Level 1, the Image Address is unchanged.

**Description 3: Index Formats (continued)**

**Three Level**

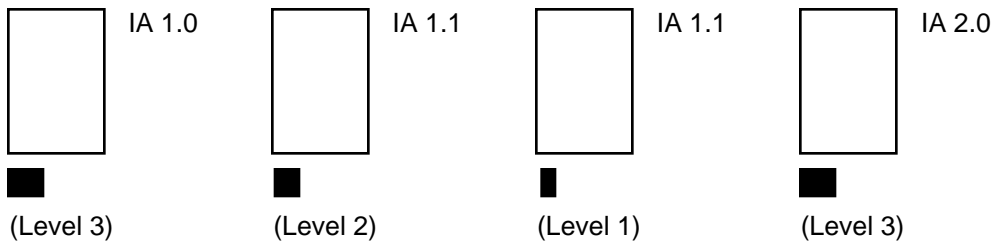


Whenever a large image mark is placed next to a document and/or a document is assigned Level 3, the Image Address field associated with Level 3 (Field C) is incremented and the fields associated with Level 2 (Field B) and Level 1 (Field A) are set to zero.

Whenever a medium image mark is placed next to a document and/or a document is assigned Level 2, the Image Address Field associated with Level 3 (Field C) is unchanged, the field associated with Level 2 (Field B) is incremented, and the field associated with Level 1 (Field A) is set to zero.

Whenever a small image mark is placed next to a document and/or a document is assigned Level 1, the Image Address fields associated with Level 3 (Field C) and Level 2 (Field B) are unchanged, and the field associated with Level 1 (Field A) is incremented.

**Three Level Offset**



Whenever a large image mark is placed next to a document and/or a document is assigned Level 3, the Image Address field associated with Level 3 (Field C) is incremented and the field associated with Level 2 (Field B) is set to zero.

Whenever a medium image mark is placed next to a document and/or a document is assigned Level 2, the Image Address field associated with Level 3 (Field C) is unchanged, and the field associated with Level 2 (Field B) is incremented.

Whenever a small image mark is placed next to a document and/or a document is assigned Level 1, the Image Address is unchanged.



## Image Address Display Format

This mode defines the format of the Image Address display which appears on the control panel. The default is *Suppress*.

- Microimager 70     Microimager 70/AFM     Scanner 900  
 Scanner 923     Scanner/Microimager 990     Scanner 9500

### 1. Select *IA Display Format*.

Mode Number: 10		Mode Name: MODE10	
Mode Configuration			
MODE 10	Mode Name	Ftswitch Pressed	Undef
3 Lvl	Index Format	Ftswitch Released	Undef
Supprs	<b>IA Display Format</b>	Ftswitch Crf Tone	Off
4233	IA Field Widths	Patch Reader 1	Off
2112	Level Rules	Patch Reader 2	Off
None	Batching	Patch Definition	Lvl 2
Auto	AEC Mode	Bar Code	Off
Duplex	Film Mode	Confirmation Tone	N N N
?????	Reduction Ratio	OCR Status	Off
1 Roll	# of Cassettes	COIN User Channel	On
Comic	Film Writer	Printer Control	Disply
Off	Image Mgmt Code	Primary DP-1	Off
Off	Length Monitor	Secondary DP-1	Off
Off	Skew Monitor	Doc. Printer 12	Off
Xport	Check Stacker	Document Sorter	Off
Off	Endorser	Mode Overrides	No Sav
	Not Used	Film Definition	F
Save & End Session		Don't Save & End Session	
Previous Menu		End Configuration	

Examples of Formats

Display: 001.002.003.004  
 Compress: 001.2.3.4  
 Suppress: 001. 2. 3. 4

IA Display Format

Display Leading Zeros  
 Compress Leading Zeros  
 Suppress Leading Zeros

Previous Menu

### 2. Select the desired format option.

## Image Address Field Widths

This mode defines the Image Address field widths.

Refer to *Description 4: Image Address Fields* for a description of proper field definitions.

■ Microimager 70    ■ Microimager 70/AFM    ■ Scanner 900  
■ Scanner 923    ■ Scanner/Microimager 990    ■ Scanner 9500

When using a Microimager 70 without the Advanced Function Module installed, only the Image Address field widths for Mode 8 and Mode 9 may be defined; the field widths are predefined and unalterable in Mode 1 through Mode 7. The predefined values are:

- Mode 1 – Fixed Field (6)
  - Field C – Level 3 (0)
  - Field B – Level 2 (0)
  - Field A – Level 1 (6)
- Mode 2 – Fixed Field (6)
  - Field C – Level 3 (0)
  - Field B – Level 2 (6)
  - Field A – Level 1 (0)
- Mode 3 – Fixed Field (6)
  - Field C – Level 3 (0)
  - Field B – Level 2 (3)
  - Field A – Level 1 (3)
- Mode 4 – Fixed Field (6)
  - Field C – Level 3 (3)
  - Field B – Level 2 (3)
  - Field A – Level 1 (0)
- Mode 5 – Fixed Field (4)
  - Field C – Level 3 (2)
  - Field B – Level 2 (3)
  - Field A – Level 1 (3)
- Mode 6 – Fixed Field (6)
  - Field C – Level 3 (0)
  - Field B – Level 2 (4)
  - Field A – Level 1 (2)
- Mode 7 – Fixed Field (6)
  - Field C – Level 3 (0)
  - Field B – Level 2 (6)
  - Field A – Level 1 (0)

When using a Microimager with the Advanced Function Module installed, Scanner 900, Scanner 923, Scanner 9500, or Scanner/Microimager 990, the Image Address Field widths for all modes may be defined.

NOTE: A field width definition for all fields (Field A – Level 1, Field B – Level 2, Field C – Level 3, and Fixed Field ) must be specified.

1. Select IA Field Widths.

Mode Number: 10		Mode Name: MODE10		Field Num	
Mode Configuration					
MODE 10	Mode Name	Ftswitch Pressed	Undef	Fixed Field	
3 Lvl	Index Format	Ftswitch Released	Undef	Field A	
Supprs	IA Display Format	Ftswitch Cnf Tone	Off	Field B	
4233	IA Field Widths	Patch Reader 1	Off	Field C	
2112	Level Rules	Patch Reader 2	Off	Previous Menu	
None	Batching	Patch Definition	Lvl 2		
Auto	AEC Mode	Bar Code	Off		
Duplex	Film Mode	Confirmation Tone	N N N		
?????	Reduction Ratio	OCR Status	Off		
1 Roll	# of Cassettes	COIN User Channel	On		
Comic	Film Writer	Printer Control	Disply		
Off	Image Mgmt Code	Primary DP-1	Off		
Off	Length Monitor	Secondary DP-1	Off		
Off	Skew Monitor	Doc. Printer 12	Off		
Xport	Check Stacker	Document Sorter	Off		
Off	Endorser	Mode Overrides	No Sav		
	Not Used	Film Definition	F		
Save & End Session		Don't Save & End Session			
Previous Menu		End Configuration			

2. Select the field to be defined.

Mode Number: 10		Mode Name: MODE10		Field Num	
Mode Configuration					
MODE 10	Mode Name	Ftswitch Pressed	Undef	Fixed Field	
3 Lvl	Index Format	Ftswitch Released	Undef	Field A	
Supprs	IA Display Format	Ftswitch Cnf Tone	Off	Field B	
4233	IA Field Widths	Patch Reader 1	Off	Field C	
2112	Level Rules	Patch Reader 2	Off	Previous Menu	
None	Batching	Patch Definition	Lvl 2		
Auto	AEC Mode	Bar Code	Off		
Duplex	Film Mode	Confirmation Tone	N N N		
?????	Reduction Ratio	OCR Status	Off		
1 Roll	# of Cassettes	COIN User Channel	On		
Comic	Film Writer	Printer Control	Disply		
Off	Image Mgmt Code	Primary DP-1	Off		
Off	Length Monitor	Secondary DP-1	Off		
Off	Skew Monitor	Doc. Printer 12	Off		
Xport	Check Stacker	Document Sorter	Off		
Off	Endorser	Mode Overrides	No Sav		
	Not Used	Film Definition	F		
Save & End Session		Don't Save & End Session		Enter Field Width	
Previous Menu		End Configuration		0 1 2 3 4 5 6 7 8 9	

3. Select the desired field width for the specified field.

NOTE: If you intend to link the current mode with another mode, the field width definitions for both modes must be the same.

If you change the field widths a message appears:  
To avoid E205 errors at powerup, first save mode programming,  
then enter a new IA for mode.

4. Press **Enter**.

#### Description 4: Image Address Fields

An Image Address is a unique identifier assigned to each individual document by the Microimager 70, Scanner 900, Scanner 923, Scanner 9500, or Scanner/Microimager 990.

An Image Address may contain up to 15 characters, consisting of a maximum of 12 digits  
Description 4: Image Address Fields.

An Image Address is a unique identifier assigned to each individual document by the Microimager 70, Scanner 900, Scanner 923, Scanner 9500, or Scanner/Microimager 990.

An Image Address may contain up to 15 characters, consisting of a maximum of 12 digits and a maximum of 3 delimiters.

Four fields must be defined:

**Field A** represents Level 1. Its value is incremented when a small image mark is placed next to a document and/or a document is assigned Level 1.

**Field B** represents Level 2. Its value is incremented when a medium image mark is placed next to a document and/or a document is assigned Level 2.

**Field C** represents Level 3. Its value is incremented when a large image mark is placed next to a document and/or a document is assigned Level 3.

**Fixed Field** contains fixed information; typically, the date.

Example:

0 3 0 1 . 0 2 . 0 0 1 . 0 0 0 where: Field A contains 000

Field B contains 001

Field C contains 02

Fixed Field contains 0301

The Image Address field lengths are dependent upon the Index Format chosen earlier:

- Single Level
  - Field A is defined as having a field length greater than zero (1 – 9)
  - Field B is defined as having a field length of zero (0)
  - Field C is defined as having a field length of zero (0)
  - Fixed Field may be defined, if desired (0 – 9)

#### Description 4: Image Address Fields (continued)

- Two Level
  - Field A is defined as having a field length greater than zero (1 – 9)
  - Field B is defined as having a field length greater than zero (1 – 9)
  - Field C is defined as having a field length of zero (0)
  - Fixed Field may be defined, if desired (0 – 9)
  
- Two Level Offset
  - Field A is defined as having a field length of zero (0)
  - Field B is defined as having a field length greater than zero (1 – 9)
  - Field C is defined as having a field length of zero (0)
  - Fixed Field may be defined, if desired (0 – 9)
  
- Three Level
  - Field A is defined as having a field length greater than zero (1 –9)
  - Field B is defined as having a field length greater than zero (1 – 9)
  - Field C is defined as having a field length greater than zero (1 – 9)
  - Fixed Field may be defined, if desired (0 – 9)
  
- Three Level Offset
  - Field A is defined as having a field length greater than zero (1 –9)
  - Field B is defined as having a field length greater than zero (1 – 9)
  - Field C is defined as having a field length greater than zero (1 – 9)
  - Fixed Field may be defined, if desired (0 – 9)

## Level Rules

This mode defines the level of a document based upon the level of the previous document. These definitions are used as defaults when the document level is not determined by another method (i.e., Footswitch, P-Key, Level Key, etc.)

■ Microimager 70    ■ Microimager 70/AFM    ■ Scanner 900  
■ Scanner 923    ■ Scanner/Microimager 990    ■ Scanner 9500

When using a Microimager 70 without the Advanced Function Module installed, only the level rules for Mode 8 and Mode 9 may be defined; the level rules are predefined and unalterable in Mode 1 – Mode 7. The predefined values are:

- Mode 1 – Level 0 followed by Level 1  
Level 1 followed by Level 1  
Level 2 followed by no level  
Level 3 followed by no level
- Mode 2 – Level 0 followed by Level 2  
Level 1 followed by Level 1  
Level 2 followed by Level 2  
Level 3 followed by no level
- Mode 3 – Level 0 followed by Level 2  
Level 1 followed by Level 1  
Level 2 followed by Level 2  
Level 3 followed by no level
- Mode 4 – Level 0 followed by Level 3  
Level 1 followed by Level 1  
Level 2 followed by Level 2  
Level 3 followed by Level 2
- Mode 5 – Level 0 followed by Level 2  
Level 1 followed by Level 1  
Level 2 followed by Level 1  
Level 3 followed by Level 2
- Mode 6 – Level 0 followed by Level 2  
Level 1 followed by Level 2  
Level 2 followed by no level  
Level 3 followed by no level
- Mode 7 – Level 0 followed by Level 2  
Level 1 followed by Level 2  
Level 2 followed by Level 2  
Level 3 followed by no level

When using a Microimager with the Advanced Function Module installed, Scanner 900, Scanner 923, Scanner 9500, or Scanner/Microimager 990, the level rules for all modes may be defined.

1. Select *Level Rules*.

Mode Number: 10		Mode Name: MODE10		Field	
Mode Configuration					
MODE 10	Mode Name	Ftswitch Pressed	Undef	Level 0	
3 Lvl	Index Format	Ftswitch Released	Undef	Level 1	
Supprs	IA Display Format	Ftswitch Cnf Tone	Off	Level 2	
4233	IA Field Widths	Patch Reader 1	Off	Level 3	
2112	<b>Level Rules</b>	Patch Reader 2	Off	Previous Menu	
None	Batching	Patch Definition	Lvl 2		
Auto	AEC Mode	Bar Code	Off		
Duplex	Film Mode	Confirmation Tone	N N N		
?????	Reduction Ratio	OCR Status	Off		
1 Roll	# of Cassettes	COIN User Channel	On		
Comic	Film Writer	Printer Control	Disply		
Off	Image Mgmt Code	Primary DP-1	Off		
Off	Length Monitor	Secondary DP-1	Off		
Off	Skew Monitor	Doc. Printer 12	Off		
Xport	Check Stackter	Document Sorter	Off		
Off	Endorser	Mode Overrides	No Sav		
	Not Used	Film Definition	F		
Save & End Session		Don't Save & End Session			
Previous Menu		End Configuration			

2. Select the level to be assigned a following level.

Mode Number: 10		Mode Name: MODE10		Field	
Mode Configuration					
MODE 10	Mode Name	Ftswitch Pressed	Undef	Level 0	
3 Lvl	Index Format	Ftswitch Released	Undef	Level 1	
Supprs	IA Display Format	Ftswitch Cnf Tone	Off	Level 2	
4233	IA Field Widths	Patch Reader 1	Off	Level 3	
2112	<b>Level Rules</b>	Patch Reader 2	Off	Previous Menu	
None	Batching	Patch Definition	Lvl 2		
Auto	AEC Mode	Bar Code	Off		
Duplex	Film Mode	Confirmation Tone	N N N		
?????	Reduction Ratio	OCR Status	Off		
1 Roll	# of Cassettes	COIN User Channel	On		
Comic	Film Writer	Printer Control	Disply		
Off	Image Mgmt Code	Primary DP-1	Off		
Off	Length Monitor	Secondary DP-1	Off		
Off	Skew Monitor	Doc. Printer 12	Off		
Xport	Check Stackter	Document Sorter	Off		
Off	Endorser	Mode Overrides	No Sav		
	Not Used	Film Definition	F		
Save & End Session		Don't Save & End Session			
Previous Menu		End Configuration			
				Follow Field #	
				Level 0	
				Level 1	
				Level 2	
				Level 3	
				Previous Menu	

3. Select the level to follow the specified level.

# Batching

This mode defines the number of documents of a specified level to process prior to performing a predefined action.

- Microimager 70    ■ Microimager 70/AFM    ■ Scanner 900
- Scanner 923    ■ Scanner/Microimager 990    ■ Scanner 9500

## 1. Select *Batching*.

Mode Number: 10		Mode Name: MODE10	
Mode Configuration			
MODE 10	Mode Name	Ftswitch Pressed	Undef
3 Lvl	Index Format	Ftswitch Released	Undef
Supprs	IA Display Format	Ftswitch Cnf Tone	Off
4233	IA Field Widths	Patch Reader 1	Off
2112	Level Rules	Patch Reader 2	Off
None	<b>Batching</b>	Patch Definition	Lvl 2
Auto	AEC Mode	Bar Code	Off
Duplex	Film Mode	Confirmation Tone	N N N
?????	Reduction Ratio	OCR Status	Off
1 Roll	# of Cassettes	COIN User Channel	On
Comic	Film Writer	Printer Control	Disply
Off	Image Mgmt Code	Primary DP-1	Off
Off	Length Monitor	Secondary DP-1	Off
Off	Skew Monitor	Doc. Printer 12	Off
Xport	Check Stackers	Document Sorter	Off
Off	Endorser	Mode Overrides	No Sav
	Not Used	Film Definition	F
Save & End Session		Don't Save & End Session	
Previous Menu		End Configuration	

Batching

Batch Level

Batch Value

Start of Batch Function

End of Batch Function

Previous Menu

# Batch Level

This mode defines the level of the documents to be counted. The default value is *None*.

- Microimager 70    ■ Microimager 70/AFM    ■ Scanner 900
- Scanner 923    ■ Scanner/Microimager 990    ■ Scanner 9500

## 1. Select *Batch Level*.

Mode Number: 10		Mode Name: MODE10	
Mode Configuration			
MODE 10	Mode Name	Ftswitch Pressed	Undef
3 Lvl	Index Format	Ftswitch Released	Undef
Supprs	IA Display Format	Ftswitch Cnf Tone	Off
4233	IA Field Widths	Patch Reader 1	Off
2112	Level Rules	Patch Reader 2	Off
None	<b>Batching</b>	Patch Definition	Lvl 2
Auto	AEC Mode	Bar Code	Off
Duplex	Film Mode	Confirmation Tone	N N N
?????	Reduction Ratio	OCR Status	Off
1 Roll	# of Cassettes	COIN User Channel	On
Comic	Film Writer	Printer Control	Disply
Off	Image Mgmt Code	Primary DP-1	Off
Off	Length Monitor	Secondary DP-1	Off
Off	Skew Monitor	Doc. Printer 12	Off
Xport	Check Stackers	Document Sorter	Off
Off	Endorser	Mode Overrides	No Sav
	Not Used	Film Definition	F
Save & End Session		Don't Save & End Session	
Previous Menu		End Configuration	

Batching

Batch Level

Batch Value

Start of Batch Function

End of Batch Function

Previous Menu

Batch Field

Level 1

Level 2

Level 3

None

Previous Menu

## 2. Select the desired batch level.

NOTE: If you select *None*, you can't set Batch Value.



## Batch Value

Defines the number of documents to be counted prior to performing a predefined action. The default value is 99.

- Microimager 70    ■ Microimager 70/AFM    ■ Scanner 900
- Scanner 923    ■ Scanner/Microimager 990    ■ Scanner 9500

### 1. Select *Batch Value*.

Mode Number: 10		Mode Name: MODE10			
Mode Configuration				Batching	
MODE 10	Mode Name	Ftswitch Pressed	Undef		
3 Lvl	Index Format	Ftswitch Released	Undef		Batch Level
Supprs	IA Display Format	Ftswitch Cnf Tone	Off		Batch Value
4233	IA Field Widths	Patch Reader 1	Off		Start of Batch Function
2112	Level Rules	Patch Reader 2	Off		End of Batch Function
None	Batching	Patch Definition	Lvl 2		Previous Menu
Auto	AEC Mode	Bar Code	Off		
Duplex	Film Mode	Confirmation Tone	N N N		
?????	Reduction Ratio	OCR Status	Off		
1 Roll	# of Cassettes	COIN User Channel	On		
Comic	Film Writer	Printer Control	Disply		
Off	Image Mgmt Code	Primary DP-1	Off		
Off	Length Monitor	Secondary DP-1	Off		
Off	Skew Monitor	Doc. Printer 12	Off		
Xport	Check Stackers	Document Sorter	Off		
Off	Endorser	Mode Overrides	No Sav		
	Not Used	Film Definition	F		
Save & End Session		Don't Save & End Session			
Previous Menu		End Configuration			
				Enter Batch Value	
				99	
				Range: 1-99	

### 2. Enter the number of documents to be counted as a batch.

The value entered should be between 1 and the maximum image address size for the field (or 9999, whichever is less).

Use the following information to determine the maximum number allowed:

- If the length of the level field is 1, the maximum batching value is 9.
- If the length of the level field is 2, the maximum batching value is 99.
- If the length of the level field is 3, the maximum batching value is 999.
- If the length of the level field is 4, the maximum batching value is 9999.
- If the length of the level field is 5 – 9, the maximum batching value is 99999.

## Start of Batch Function

This mode defines the action(s) to be taken prior to processing the document in the batch. The default value is *Nothing*.

- Microimager 70     Microimager 70/AFM     Scanner 900  
 Scanner 923     Scanner/Microimager 990     Scanner 9500

### 1. Select *Start of Batch Function*.

Mode Number: 10		Mode Name: MODE10	
Mode Configuration			
MODE 10	Mode Name	Ftswitch Pressed	Undef
3 Lvl	Index Format	Ftswitch Released	Undef
Supprs	IA Display Format	Ftswitch Cnf Tone	Off
4233	IA Field Widths	Patch Reader 1	Off
2112	Level Rules	Patch Reader 2	Off
None	Batching	Patch Definition	Lvl 2
Auto	AEC Mode	Bar Code	Off
Duplex	Film Mode	Confirmation Tone	N N N
????	Reduction Ratio	OCR Status	Off
1 Roll	# of Cassettes	COIN User Channel	On
Comic	Film Writer	Printer Control	Disply
Off	Image Mgmt Code	Primary DP-1	Off
Off	Length Monitor	Secondary DP-1	Off
Off	Skew Monitor	Doc. Printer 12	Off
Xport	Check Stackler	Document Sorter	Off
Off	Endorser	Mode Overrides	No Sav
	Not Used	Film Definition	F
Save & End Session		Don't Save & End Session	
Previous Menu		End Configuration	

Batching

Batch Level

Batch Value

Start of Batch Function

End of Batch Function

Previous Menu

Start-of-Batch Function

### 2. Enter the function(s) to be performed prior to batch processing. Valid Start-of-Batch functions are:

- f94 go to Level 1
- f95 go to Level 2
- f96 go to Level 3

## End of Batch Function

This mode defines the action(s) to be taken after processing the document in the batch. The default value is *f98*, Stop.

- Microimager 70     Microimager 70/AFM     Scanner 900  
 Scanner 923     Scanner/Microimager 990     Scanner 9500

### 1. Select *End of Batch Function*.

Mode Number: 10		Mode Name: MODE10	
Mode Configuration			
MODE 10	Mode Name	Ftswitch Pressed	Undef
3 Lvl	Index Format	Ftswitch Released	Undef
Supprs	IA Display Format	Ftswitch Cnf Tone	Off
4233	IA Field Widths	Patch Reader 1	Off
2112	Level Rules	Patch Reader 2	Off
None	Batching	Patch Definition	Lvl 2
Auto	AEC Mode	Bar Code	Off
Duplex	Film Mode	Confirmation Tone	N N N
?????	Reduction Ratio	OCR Status	Off
1 Roll	# of Cassettes	COIN User Channel	On
Comic	Film Writer	Printer Control	Disply
Off	Image Mgmt Code	Primary DP-1	Off
Off	Length Monitor	Secondary DP-1	Off
Off	Skew Monitor	Doc. Printer 12	Off
Xport	Check Stacker	Document Sorter	Off
Off	Endorser	Mode Overrides	No Sav
	Not Used	Film Definition	F
Save & End Session		Don't Save & End Session	
Previous Menu		End Configuration	

Batching	
Batch Level	
Batch Value	
Start of Batch Function	
End of Batch Function	
Previous Menu	

End-of-Batch Function
-----------------------

### 2. Enter the function(s) to be performed after batch processing.

- f94    go to Level 1
- f95    go to Level 2
- f96    go to Level 3
- f98    Stop

## AEC Mode

This mode enables or disables Automatic Exposure Control. *Fixed Mode* disables Automatic Exposure Control. *Auto Mode* enables Automatic Exposure Control. The default value is *Auto Mode*.

- Microimager 70   
  Microimager 70/AFM   
  Scanner 900  
 Scanner 923   
  Scanner/Microimager 990   
  Scanner 9500

1. Select *AEC Mode*.

Mode Number: 10		Mode Name: MODE10		AEC Status	
Mode Configuration					
MODE 10	Mode Name	Ftswitch Pressed	Undef	Fixed Mode	
3 Lvl	Index Format	Ftswitch Released	Undef	Auto Mode	
Supprs	IA Display Format	Ftswitch Cnf Tone	Off	Previous Menu	
4233	IA Field Widths	Patch Reader 1	Off		
2112	Level Rules	Patch Reader 2	Off		
None	Batching	Patch Definition	Lvl 2		
Auto	<b>AEC Mode</b>	Bar Code	Off		
Duplex	Film Mode	Confirmation Tone	N N N		
????	Reduction Ratio	OCR Status	Off		
1 Roll	# of Cassettes	COIN User Channel	On		
Comic	Film Writer	Printer Control	Disply		
Off	Image Mgmt Code	Primary DP-1	Off		
Off	Length Monitor	Secondary DP-1	Off		
Off	Skew Monitor	Doc. Printer 12	Off		
Xport	Check Stacker	Document Sorter	Off		
Off	Endorser	Mode Overrides	No Sav		
	Not Used	Film Definition	F		
Save & End Session		Don't Save & End Session			
Previous Menu		End Configuration			

2. Select the desired AEC mode.

NOTE: AEC mode is not available on the scanners.

# Film Mode

This mode defines the orientation of documents on film. Refer to *Description 5: Film Modes* for a description of the available film modes. The default value is *Duplex*.

- Microimager 70     Microimager 70/AFM     Scanner 900
- Scanner 923     Scanner/Microimager 990     Scanner 9500

1. Select *Film Mode*.

Mode Number: 10		Mode Name: MODE10		AEC Status																									
Mode Configuration 1				Simplex Mode Duplex Mode Duo Mode																									
MODE 10	Mode Name	Ftswitch Pressed	Undef	<table border="1" style="width: 100%; text-align: center;"> <tr> <td style="width: 33%;">Simplex</td> <td style="width: 33%;">Duo</td> <td style="width: 33%;">Duplex</td> </tr> <tr> <td>↓</td> <td>↓ f</td> <td>↓ ↓</td> </tr> <tr> <td>█</td> <td>█ █</td> <td>█ █</td> </tr> <tr> <td>█</td> <td>█ █</td> <td>█ █</td> </tr> <tr> <td>█</td> <td>↓ ↑</td> <td>f b</td> </tr> <tr> <td>50X</td> <td>50X</td> <td>50X</td> </tr> <tr> <td>40X</td> <td>40X</td> <td>40X</td> </tr> <tr> <td>24X</td> <td></td> <td></td> </tr> </table>		Simplex	Duo	Duplex	↓	↓ f	↓ ↓	█	█ █	█ █	█	█ █	█ █	█	↓ ↑	f b	50X	50X	50X	40X	40X	40X	24X		
Simplex	Duo	Duplex																											
↓	↓ f	↓ ↓																											
█	█ █	█ █																											
█	█ █	█ █																											
█	↓ ↑	f b																											
50X	50X	50X																											
40X	40X	40X																											
24X																													
3 Lvl	Index Format	Ftswitch Released	Undef																										
Supprs	IA Display Format	Ftswitch Cnf Tone	Off																										
4233	IA Field Widths	Patch Reader 1	Off																										
2112	Level Rules	Patch Reader 2	Off																										
None	Batching	Patch Definition	Lvl 2																										
Auto	AEC Mode	Bar Code	Off																										
Duplex	<b>Film Mode</b>	Confirmation Tone	N N N																										
?????	Reduction Ratio	OCR Status	Off																										
1 Roll	# of Cassettes	COIN User Channel	On																										
Comic	Film Writer	Printer Control	Disply																										
Off	Image Mgmt Code	Primary DP-1	Off																										
Off	Length Monitor	Secondary DP-1	Off																										
Off	Skew Monitor	Doc. Printer 12	Off																										
Xport	Check Stackner	Document Sorter	Off																										
Off	Endorser	Mode Overrides	No Sav																										
	Not Used	Film Definition	F																										
Save & End Session		Don't Save & End Session																											
Previous Menu		End Configuration																											

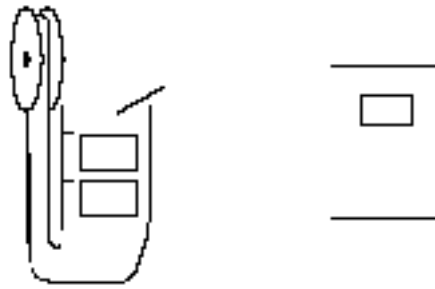
2. Select the desired film mode.

NOTE: If you intend to link the current mode with another mode, the film mode chosen for both modes must be compatible. Simplex mode is compatible with either simplex mode or duplex mode. Duplex mode is compatible with either simplex mode or duplex mode. Duo mode is compatible only with duo mode.

NOTE: Film mode is not available on the scanners.

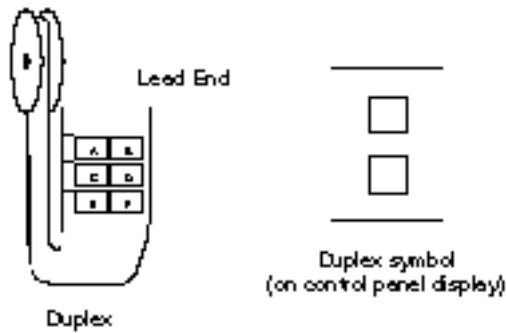
- **Simplex Mode**

Simplex format allows one image to be exposed across the film width. A 24:1 reduction ratio is used for this format.



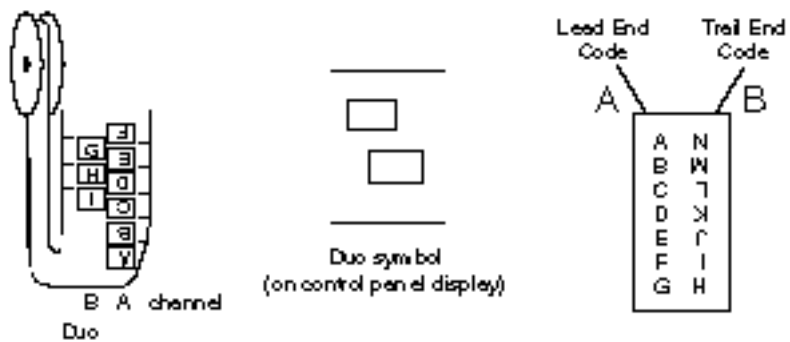
- **Duplex Mode**

Duplex format allows front and back images of the same document to be exposed (at the same time) across the film width. A 40:1 or 50:1 reduction ratio is used for this format.



- **Duo Mode**

Duo format allows documents to be filmed across one-half of the film width, with additional documents filmed on the adjacent side. A 40:1 or 50:1 reduction ratio is used for this format.



## Reduction Ratio

This mode defines the level of magnification. The default value is *Don't Care*.

- Microimager 70     Microimager 70/AFM     Scanner 900  
 Scanner 923     Scanner/Microimager 990     Scanner 9500

### 1. Select *Reduction Ratio*.

Mode Number: 10		Mode Name: <b>MODE10</b>		Reduction Ratio	
Mode Configuration					
MODE 10	Mode Name	Ftswitch Pressed	Undef	Don't Care	
3 Lvl	Index Format	Ftswitch Released	Undef	24x	
Supprs	IA Display Format	Ftswitch Cnf Tone	Off	40x	
4233	IA Field Widths	Patch Reader 1	Off	50x	
2112	Level Rules	Patch Reader 2	Off	Previous Menu	
None	Batching	Patch Definition	Lvl 2		
Auto	AEC Mode	Bar Code	Off		
Duplex	Film Mode	Confirmation Tone	N N N		
?????	<b>Reduction Ratio</b>	OCR Status	Off		
1 Roll	# of Cassettes	COIN User Channel	On		
Comic	Film Writer	Printer Control	Disply		
Off	Image Mgmt Code	Primary DP-1	Off		
Off	Length Monitor	Secondary DP-1	Off		
Off	Skew Monitor	Doc. Printer 12	Off		
Xport	Check Stackers	Document Sorter	Off		
Off	Endorser	Mode Overrides	No Sav		
	Not Used	Film Definition	F		
Save & End Session		Don't Save & End Session			
Previous Menu		End Configuration			

### 2. Select the desired reduction ratio.

Use the following information to determine the reduction allowed based upon the Film Mode selected:

- If the film mode is Simplex, you may select 50X, 40X, or 24X.
- If the film mode is Duplex, you may select 50X or 40X.
- If the film mode is Duo, you may select 50X or 40X.

NOTE: This selection is not available on the scanners.

## Number of Cassettes

This mode defines the minimum number of cassettes that must be installed during filming. If *Two Cassettes* is chosen, you must always use two cassettes. If *One Cassette* is chosen, you may use one or two cassettes. The default value is *One Cassette*.

- Microimager 70   
  Microimager 70/AFM   
  Scanner 900  
 Scanner 923   
  Scanner/Microimager 990   
  Scanner 9500

### 1. Select # of Cassettes.

Mode Number: 10		Mode Name: MODE10		Cassettes Req'd Two Cassettes One Cassette Previous Menu			
Mode Configuration:							
MODE 10	Mode Name	Ftswitch Pressed	Undef				
3 Lvl	Index Format	Ftswitch Released	Undef				
Supprs	IA Display Format	Ftswitch Cnf Tone	Off				
4233	IA Field Widths	Patch Reader 1	Off				
2112	Level Rules	Patch Reader 2	Off				
None	Batching	Patch Definition	Lvl 2				
Auto	AEC Mode	Bar Code	Off				
Duplex	Film Mode	Confirmation Tone	N N N				
?????	Reduction Ratio	OCR Status	Off				
1 Roll	# of Cassettes	COIN User Channel	On				
Comic	Film Writer	Printer Control	Disply				
Off	Image Mgmt Code	Primary DP-1	Off				
Off	Length Monitor	Secondary DP-1	Off				
Off	Skew Monitor	Doc. Printer 12	Off				
Xport	Check Stacker	Document Sorter	Off				
Off	Endorser	Mode Overrides	No Sav				
	Not Used	Film Definition	F				
Save & End Session		Don't Save & End Session					
Previous Menu		End Configuration					

### 2. Select the minimum number of cassettes required.

NOTE: This selection is not available on the scanners.



# Film Writer

NOTE: The Film Writing Module must be installed.

- Microimager 70     Microimager 70/AFM     Scanner 900
- Scanner 923     Scanner/Microimager 990     Scanner 9500

1. Select *Film Writer*.

Mode Number: 10		Mode Name: MODE10	
Mode Configuration:			
MODE 10 3 Lvl Supprs 4233 2112 None Auto Duplex ????? 1 Roll Comic Off Off Off Xport Off	Mode Name Index Format IA Display Format IA Field Widths Level Rules Batching AEC Mode Film Mode Reduction Ratio # of Cassettes <b>Film Writer</b> Image Mgmt Code Length Monitor Skew Monitor Check Stacker Endorser Not Used	Ftswitch Pressed Ftswitch Released Ftswitch Cnf Tone Patch Reader 1 Patch Reader 2 Patch Definition Bar Code Confirmation Tone OCR Status COIN User Channel Printer Control Primary DP-1 Secondary DP-1 Doc. Printer 12 Document Sorter Mode Overrides Film Definition	Undef Undef Off Off Off Lvl 2 Off N N N Off On Disply Off Off Off Off No Sav F
Save & End Session		Don't Save & End Session	
Previous Menu		End Configuration	

Advanced Film Writer  
 Character Orientation  
 Image Addr Print Format  
 Same Sequence per Level  
 Print Sequence - Level 0  
 Print Sequence - Level 1  
 Print Sequence - Level 2  
 Print Sequence - Level 3  
 Previous Menu

NOTE: This selection is not available on the scanners.

## Character Orientation

This mode defines the orientation of the information printed by the film writer. The default is *Comic*.

- Microimager 70   
  Microimager 70/AFM   
  Scanner 900  
 Scanner 923   
  Scanner/Microimager 990   
  Scanner 9500

### 1. Select *Character Orientation*.

Mode Number: 10		Mode Name: MODE10		Advanced Film Writer	
Mode Configuration				Character Orientation	
MODE 10	Mode Name	Ftswitch Pressed	Undef	Image Addr Print Format	
3 Lvl	Index Format	Ftswitch Released	Undef	Same Sequence per Level	
Supprs	IA Display Format	Ftswitch Cnf Tone	Off	Print Sequence - Level 0	
4233	IA Field Widths	Patch Reader 1	Off	Print Sequence - Level 1	
2112	Level Rules	Patch Reader 2	Off	Print Sequence - Level 2	
None	Batching	Patch Definition	Lvl 2	Print Sequence - Level 3	
Auto	AEC Mode	Bar Code	Off	Previous Menu	
Duplex	Film Mode	Confirmation Tone	N N N		
????	Reduction Ratio	OCR Status	Off		
1 Roll	# of Cassettes	COIN User Channel	On		
Comic	Film Writer	Printer Control	Disply		
Off	Image Mgmt Code	Primary DP-1	Off		
Off	Length Monitor	Secondary DP-1	Off		
Off	Skew Monitor	Doc. Printer 12	Off		
Xport	Check Stacker	Document Sorter	Off		
Off	Endorser	Mode Overrides	No Sav		
	Not Used	Film Definition	F		
Save & End Session		Don't Save & End Session		Orientation	
Previous Menu		End Configuration		Comic	
				Cine	
				Comic 180	
				Cine 180	
				Previous Menu	

### 2. Select the desired orientation.

COMIC  
 CINE  
 COMIC180  
 CINE180

## Image Address Print Format

This mode defines the format of the Image Address printed on film.  
The default is *Compress*.

- Microimager 70     Microimager 70/AFM     Scanner 900  
 Scanner 923     Scanner/Microimager 990     Scanner 9500

### 1. Select *Image Addr Print Format*.

Mode Number: 10		Mode Name: MODE10	
Mode Configuration			
MODE 10	Mode Name	Ftswitch Pressed	Undef
3 Lvl	Index Format	Ftswitch Released	Undef
Supprs	IA Display Format	Ftswitch Cnf Tone	Off
4233	IA Field Widths	Patch Reader 1	Off
2112	Level Rules	Patch Reader 2	Off
None	Batching	Patch Definition	Lvl 2
Auto	AEC Mode	Bar Code	Off
Duplex	Film Mode	Confirmation Tone	N N N
?????	Reduction Ratio	OCR Status	Off
1 Roll	# of Cassettes	COIN User Channel	On
Comic	Film Writer	Printer Control	Disply
Off	Image Mgmt Code	Primary DP-1	Off
Off	Length Monitor	Secondary DP-1	Off
Off	Skew Monitor	Doc. Printer 12	Off
Xport	Check Stacker	Document Sorter	Off
Off	Endorser	Mode Overrides	No Sav
	Not Used	Film Definition	F
Save & End Session		Don't Save & End Session	
Previous Menu		End Configuration	

Advanced Film Writer

Character Orientation

Image Addr Print Format

Same Sequence per Level

Print Sequence - Level 0

Print Sequence - Level 1

Print Sequence - Level 2

Print Sequence - Level 3

Previous Menu

Examples of Formats

Display: 001.002.003.004

Compress: 001.2.3.4

Suppress: 001. 2. 3. 4

Film Writer IA Format

Display Leading Zeros

Compress Leading Zeros

Suppress Leading Zeros

Previous Menu

### 2. Select the desired format option.

## Write Definitions

This mode defines the information printed on film next to each document, based upon the document level. The default value for all levels is <FF/IA-All Del>.

Microimager 70     Microimager 70/AFM     Scanner 900  
 Scanner 923     Scanner/Microimager 990     Scanner 9500

When using a Microimager 70 without the Advanced Function Module installed, a limited number of print items are available. The available print items are:

- Full Image Address
- Indexed Fields Only
- Nothing Printed

When using a Microimager 70 with the Advanced Function Module installed, or Scanner/Microimager 990, all print items may be used.

If the same information is to be printed next to documents of all levels:

1. Select *Same Sequence per Level*.

The screenshot shows a menu interface for defining print sequences. On the left, there are two text boxes: 'Current Print Sequence Display Values' containing the text '<Full IA> <2 Sp> <Date> <2Sp> <Time>' and 'Default is <FF/IA - All Del>', and 'New Print Sequence Display Values' which is currently empty. On the right, there is a scrollable list titled 'FAN Write Sequence' with the following items: Full Image Address, Indexed Fields Only, Current Field Level, Spaces between Items, Current Day, Current Date, Current Time, Document Counter, Message 1, Message 2, Message 3, Message 4, Message 5, Message 6, Message 7, Message 8, Message 9, Nothing Printed, and Previous Menu.

2. Select the item(s) to be printed.

**NOTE:** If the definition exceeds the thirty-eight (38) character limit, the first thirty-eight (38) characters will be printed on film next to each document and the remainder of the information will be truncated. New information will appear in the New Print Sequence Display Values box. When you press Enter, the print sequence will appear in the upper box.

If different information is to be printed next to documents of different levels:

1. Select *Print Sequence – Level #* for the desired level.

Current Print Sequence Display Values	<div style="border: 1px solid black; padding: 2px;">FAN Write Sequence Full Image Address Indexed Fields Only Current Field Level Spaces between Items Current Day Current Date Current Time Document Counter Message 1 Message 2 Message 3 Message 4 Message 5 Message 6 Message 7 Message 8 Message 8 Message 9 Nothing Printed Previous Menu</div>
<div style="border: 1px solid black; padding: 2px;">&lt;Full IA&gt; &lt;2 Sp&gt; &lt;Date&gt; &lt;2Sp&gt; &lt;Time&gt; Default is &lt;FF/IA - All Del&gt;</div>	
New Print Sequence Display Values	
<div style="border: 1px solid black; height: 30px;"></div>	

2. Select the item(s) to be printed.

NOTE: If the definition exceeds the thirty-eight (38) character limit, the first thirty-eight (38) characters will be printed on film next to each document and the remainder of the information will be truncated.

# Image Management Code

NOTE: The Film Writing Module must be installed.

- Microimager 70   
  Microimager 70/AFM   
  Scanner 900
- Scanner 923   
  Scanner/Microimager 990   
  Scanner 9500

1. Select *Image Mgmt Code*.

Mode Number: 10		Mode Name: MODE10			
Mode Configuration				Image Management Code	
MODE 10	Mode Name	Ftswitch Pressed	Undef		Status
3 Lvl	Index Format	Ftswitch Released	Undef		IMT Search Prg Number
Supprs	IA Display Format	Ftswitch Cnf Tone	Off		Magnification
4233	IA Field Widths	Patch Reader 1	Off		Splice Definition
2112	Level Rules	Patch Reader 2	Off		Image Mark Sizes
None	Batching	Patch Definition	Lvl 2		Image Polarity
Auto	AEC Mode	Bar Code	Off		Duplex Front Location
Duplex	Film Mode	Confirmation Tone	N N N		Film Image Orientation
?????	Reduction Ratio	OCR Status	Off		Image Offset
1 Roll	# of Cassettes	COIN User Channel	On		Previous Menu
Comic	Film Writer	Printer Control	Disply		
Off	<b>Image Mgmt Code</b>	Primary DP-1	Off		
Off	Length Monitor	Secondary DP-1	Off		
Off	Skew Monitor	Doc. Printer 12	Off		
Xport	Check Stacker	Document Sorter	Off		
Off	Endorser	Mode Overrides	No Sav		
	Not Used	Film Definition	F		
Save & End Session		Don't Save & End Session			
Previous Menu		End Configuration			

NOTE: This selection is not available on the scanners.

## Status

This mode enables or disables the use of IMC options. The default value is *Off or Disabled*.

- Microimager 70   
  Microimager 70/AFM   
  Scanner 900  
 Scanner 923   
  Scanner/Microimager 990   
  Scanner 9500

### 1. Select *Status*.

Mode Number: 10		Mode Name: MODE10	
Mode Configuration			
MODE 10	Mode Name	Ftswitch Pressed	Undef
3 Lvl	Index Format	Ftswitch Released	Undef
Supprs	IA Display Format	Ftswitch Cnf Tone	Off
4233	IA Field Widths	Patch Reader 1	Off
2112	Level Rules	Patch Reader 2	Off
None	Batching	Patch Definition	Lvl 2
Auto	AEC Mode	Bar Code	Off
Duplex	Film Mode	Confirmation Tone	N N N
?????	Reduction Ratio	OCR Status	Off
1 Roll	# of Cassettes	COIN User Channel	On
Comic	Film Writer	Printer Control	Disply
Off	Image Mgmt Code	Primary DP-1	Off
Off	Length Monitor	Secondary DP-1	Off
Off	Skew Monitor	Doc. Printer 12	Off
Xport	Check Stacker	Document Sorter	Off
Off	Endorser	Mode Overrides	No Sav
	Not Used	Film Definition	F
Save & End Session		Don't Save & End Session	
Previous Menu		End Configuration	

Image Management Code
Status
IMT Search Prg Number
Magnification
Splice Definition
Image Mark Sizes
Image Polarity
Duplex Front Location
Film Image Orientation
Image Offset
Previous Menu

IMC Status
Off or Disabled
On or Enabled
Previous Menu

### 2. Select the desired status.

**NOTE:** If the status is defined as *Off or Disabled*, definitions for the remaining IMC options will be ignored.

## IMT Search Program Number

This mode defines the IMT search program number. The default value is 00.

- Microimager 70   
  Microimager 70/AFM   
  Scanner 900  
 Scanner 923   
  Scanner/Microimager 990   
  Scanner 9500

1. Select *IMT Search Prg Number*.

Mode Number: 10		Mode Name: MODE10		Image Management Code	
Mode Configuration I					
MODE 10	Mode Name	Ftswitch Pressed	Undef	Status	
3 Lvl	Index Format	Ftswitch Released	Undef	IMT Search Prg Number	
Supprs	IA Display Format	Ftswitch Cnf Tone	Off	Magnification	
4233	IA Field Widths	Patch Reader 1	Off	Splice Definition	
2112	Level Rules	Patch Reader 2	Off	Image Mark Sizes	
None	Batching	Patch Definition	Lvl 2	Image Polarity	
Auto	AEC Mode	Bar Code	Off	Duplex Front Location	
Duplex	Film Mode	Confirmation Tone	N N N	Film Image Orientation	
????	Reduction Ratio	OCR Status	Off	Image Offset	
1 Roll	# of Cassettes	COIN User Channel	On	Previous Menu	
Comic	Film Writer	Printer Control	Disply		
Off	Image Mgmt Code	Primary DP-1	Off		
Off	Length Monitor	Secondary DP-1	Off		
Off	Skew Monitor	Doc. Printer 12	Off		
Xport	Check Stacker	Document Sorter	Off		
Off	Endorser	Mode Overrides	No Sav		
	Not Used	Film Definition	F		
Save & End Session		Don't Save & End Session		Enter Program Number	
Previous Menu		End Configuration		00	
				Range: 0 - 70	

2. Enter a two-digit program number.



## Magnification

This mode defines for the KODAK IMAGELINK™ Digital Workstation (with Zoom Lens Accessory) the desired level of magnification. The default value is 20.

- Microimager 70   
  Microimager 70/AFM   
  Scanner 900  
 Scanner 923   
  Scanner/Microimager 990   
  Scanner 9500

### 1. Select *Magnification*.

Mode Number: 10		Mode Name: MODE10		Image Management Code	
Mode Configuration				Status	
MODE 10	Mode Name	Ftswitch Pressed	Undef	IMT Search Prg Number	
3 Lvl	Index Format	Ftswitch Released	Undef	Magnification	
Supprs	IA Display Format	Ftswitch Cnf Tone	Off	Splice Definition	
4233	IA Field Widths	Patch Reader 1	Off	Image Mark Sizes	
2112	Level Rules	Patch Reader 2	Off	Image Polarity	
None	Batching	Patch Definition	Lvl 2	Duplex Front Location	
Auto	AEC Mode	Bar Code	Off	Film Image Orientation	
Duplex	Film Mode	Confirmation Tone	N N N	Image Offset	
?????	Reduction Ratio	OCR Status	Off	Previous Menu	
1 Roll	# of Cassettes	COIN User Channel	On		
Comic	Film Writer	Printer Control	Disply		
Off	Image Mgmt Code	Primary DP-1	Off		
Off	Length Monitor	Secondary DP-1	Off		
Off	Skew Monitor	Doc. Printer 12	Off		
Xport	Check Stacker	Document Sorter	Off		
Off	Endorser	Mode Overrides	No Sav		
	Not Used	Film Definition	F		
Save & End Session		Don't Save & End Session		Enter Magnification	
Previous Menu		End Configuration		<input type="text" value="20"/> Range: 0 or 20 - 80 Use 0 for RIM 2000 Code	

### 2. Enter the desired magnification level within the range 0 or 20 – 80.

## Splice Definition

This mode defines the desired action when a splice is detected. The default value is *Ignore*.

- Microimager 70   
  Microimager 70/AFM   
  Scanner 900  
 Scanner 923   
  Scanner/Microimager 990   
  Scanner 9500

1. Select *Splice Definition*.

Select any of the Sort Criteria and the following screen appears:

Mode Number: 10		Mode Name: MODE10	
Mode Configuration		Image Management Code	
MODE 10	Mode Name	Ftswitch Pressed	Undef
3 Lvl	Index Format	Ftswitch Released	Undef
Supprs	IA Display Format	Ftswitch Cnf Tone	Off
4233	IA Field Widths	Patch Reader 1	Off
2112	Level Rules	Patch Reader 2	Off
None	Batching	Patch Definition	Lvl 2
Auto	AEC Mode	Bar Code	Off
Duplex	Film Mode	Confirmation Tone	N N N
?????	Reduction Ratio	OCR Status	Off
1 Roll	# of Cassettes	COIN User Channel	On
Comic	Film Writer	Printer Control	Disply
Off	Image Mgmt Code	Primary DP-1	Off
Off	Length Monitor	Secondary DP-1	Off
Off	Skew Monitor	Doc. Printer 12	Off
Xport	Check Stacker	Document Sorter	Off
Off	Endorser	Mode Overrides	No Sav
	Not Used	Film Definition	F
Save & End Session		Don't Save & End Session	
Previous Menu		End Configuration	
Splice			
Ignore			
Level 1			
Level 2			
Level 3			
Previous Menu			

2. Select the desired action.

## Image Mark Sizes

This mode defines the image mark sizes used (small, medium, and large). The default value is *Kodak Standard*.

- Microimager 70   
  Microimager 70/AFM   
  Scanner 900  
 Scanner 923   
  Scanner/Microimager 990   
  Scanner 9500

### 1. Select *Image Mark Sizes*.

Mode Number: 10		Mode Name: MODE10	
Mode Configuration			
MODE 10	Mode Name	Ftswitch Pressed	Undef
3 Lvl	Index Format	Ftswitch Released	Undef
Supprs	IA Display Format	Ftswitch Cnf Tone	Off
4233	IA Field Widths	Patch Reader 1	Off
2112	Level Rules	Patch Reader 2	Off
None	Batching	Patch Definition	Lvl 2
Auto	AEC Mode	Bar Code	Off
Duplex	Film Mode	Confirmation Tone	N N N
?????	Reduction Ratio	OCR Status	Off
1 Roll	# of Cassettes	COIN User Channel	On
Comic	Film Writer	Printer Control	Disply
Off	Image Mgmt Code	Primary DP-1	Off
Off	Length Monitor	Secondary DP-1	Off
Off	Skew Monitor	Doc. Printer 12	Off
Xport	Check Stackers	Document Sorter	Off
Off	Endorser	Mode Overrides	No Sav
	Not Used	Film Definition	F
Save & End Session		Don't Save & End Session	
Previous Menu		End Configuration	

Image Management Code

Status

IMT Search Prg Number

Magnification

Splice Definition

Image Mark Sizes

Image Polarity

Duplex Front Location

Film Image Orientation

Image Offset

Previous Menu

Image Mark Size

Custom Setup

Kodak Standard

Previous Menu

### 2. Select the desired Image Mark Size option.

*Custom Setup* should only be selected if the Kodak Field Engineer has defined the customer image mark sizes (small, medium, and large).

## Image Polarity

This mode defines the polarity of the image marks relative to the polarity of the document images. The default value is *Same as Image Mark*.

Microimager 70   
  Microimager 70/AFM   
  Scanner 900  
 Scanner 923   
  Scanner/Microimager 990   
  Scanner 9500

### 1. Select *Image Polarity*.

Mode Number: 10		Mode Name: MODE10	
Mode Configuration			
MODE 10	Mode Name	Ftswitch Pressed	Undef
3 Lvl	Index Format	Ftswitch Released	Undef
Supprs	IA Display Format	Ftswitch Cnf Tone	Off
4233	IA Field Widths	Patch Reader 1	Off
2112	Level Rules	Patch Reader 2	Off
None	Batching	Patch Definition	Lvl 2
Auto	AEC Mode	Bar Code	Off
Duplex	Film Mode	Confirmation Tone	N N N
?????	Reduction Ratio	OCR Status	Off
1 Roll	# of Cassettes	COIN User Channel	On
Comic	Film Writer	Printer Control	Disply
Off	Image Mgmt Code	Primary DP-1	Off
Off	Length Monitor	Secondary DP-1	Off
Off	Skew Monitor	Doc. Printer 12	Off
Xport	Check Stackers	Document Sorter	Off
Off	Endorser	Mode Overrides	No Sav
	Not Used	Film Definition	F
Save & End Session		Don't Save & End Session	
Previous Menu		End Configuration	
Image Management Code			
Status			
IMT Search Prg Number			
Magnification			
Splice Definition			
Image Mark Sizes			
Image Polarity			
Duplex Front Location			
Film Image Orientation			
Image Offset			
Previous Menu			
Image Polarity			
Opposite of Image Mark			
Same as Image Mark			
Previous Menu			

### 2. Select the desired polarity option.

**NOTE:** Select *Opposite of Image Mark* only when splicing the Image Management Code onto the leading edge of film on which the image mark polarity is opposite the document image polarity.

## Duplex Front Location

The mode defines for the KODAK IMAGELINK™ Digital Workstation where the front side image is located. The default value is *Same as IM Channel*.

Microimager 70   
  Microimager 70/AFM   
  Scanner 900  
 Scanner 923   
  Scanner/Microimager 990   
  Scanner 9500

1. Select *Duplex Front Location*.

Mode Number: 10		Mode Name: MODE10	
Mode Configuration			
MODE 10	Mode Name	Ftswitch Pressed	Undef
3 Lvl	Index Format	Ftswitch Released	Undef
Supprs	IA Display Format	Ftswitch Cnf Tone	Off
4233	IA Field Widths	Patch Reader 1	Off
2112	Level Rules	Patch Reader 2	Off
None	Batching	Patch Definition	Lvl 2
Auto	AEC Mode	Bar Code	Off
Duplex	Film Mode	Confirmation Tone	N N N
?????	Reduction Ratio	OCR Status	Off
1 Roll	# of Cassettes	COIN User Channel	On
Comic	Film Writer	Printer Control	Disply
Off	Image Mgmt Code	Primary DP-1	Off
Off	Length Monitor	Secondary DP-1	Off
Off	Skew Monitor	Doc. Printer 12	Off
Xport	Check Stackers	Document Sorter	Off
Off	Endorser	Mode Overrides	No Sav
	Not Used	Film Definition	F
Save & End Session		Don't Save & End Session	
Previous Menu		End Configuration	

Image Management Code  
 Status  
 IMT Search Prg Number  
 Magnification  
 Splice Definition  
 Image Mark Sizes  
 Image Polarity  
 Duplex Front Location  
 Film Image Orientation  
 Image Offset  
 Previous Menu

Duplex Front Location  
 Opposite of IM Channel  
 Same as IM Channel  
 Previous Menu

2. Select the desired front side image location.

## Film Image Orientation

The mode defines where the top of the image is located for the KODAK IMAGELINK™ Digital Workstation. The default value is *Leading Edge Up*.

Microimager 70   
  Microimager 70/AFM   
  Scanner 900  
 Scanner 923   
  Scanner/Microimager 990   
  Scanner 9500

1. Select *Film Image Orientation*.

Mode Number: 10		Mode Name: MODE10	
Mode Configuration			
MODE 10	Mode Name	Ftswitch Pressed	Undef
3 Lvl	Index Format	Ftswitch Released	Undef
Supprs	IA Display Format	Ftswitch Cnf Tone	Off
4233	IA Field Widths	Patch Reader 1	Off
2112	Level Rules	Patch Reader 2	Off
None	Batching	Patch Definition	Lvl 2
Auto	AEC Mode	Bar Code	Off
Duplex	Film Mode	Confirmation Tone	N N N
?????	Reduction Ratio	OCR Status	Off
1 Roll	# of Cassettes	COIN User Channel	On
Comic	Film Writer	Printer Control	Disply
Off	Image Mgmt Code	Primary DP-1	Off
Off	Length Monitor	Secondary DP-1	Off
Off	Skew Monitor	Doc. Printer 12	Off
Xport	Check Stackers	Document Sorter	Off
Off	Endorser	Mode Overrides	No Sav
	Not Used	Film Definition	F
Save & End Session		Don't Save & End Session	
Previous Menu		End Configuration	

Image Management Code  
 Status  
 IMT Search Prg Number  
 Magnification  
 Splice Definition  
 Image Mark Sizes  
 Image Polarity  
 Duplex Front Location  
 Film Image Orientation  
 Image Offset  
 Previous Menu

Image Orientation  
 Leading Edge Down  
 Leading Edge Up  
 Previous Menu

2. Select the desired image orientation.

## Image Offset

This mode defines the position of the image marks relative to the leading edge of the document. The default value is 0.

Microimager 70   
  Microimager 70/AFM   
  Scanner 900  
 Scanner 923   
  Scanner/Microimager 990   
  Scanner 9500

1. Select *Image Offset*.

Mode Number: 10		Mode Name: MODE10	
Mode Configuration			
MODE 10	Mode Name	Ftswitch Pressed	Undef
3 Lvl	Index Format	Ftswitch Released	Undef
Supprs	IA Display Format	Ftswitch Cnf Tone	Off
4233	IA Field Widths	Patch Reader 1	Off
2112	Level Rules	Patch Reader 2	Off
None	Batching	Patch Definition	Lvl 2
Auto	AEC Mode	Bar Code	Off
Duplex	Film Mode	Confirmation Tone	N N N
?????	Reduction Ratio	OCR Status	Off
1 Roll	# of Cassettes	COIN User Channel	On
Comic	Film Writer	Printer Control	Disply
Off	Image Mgmt Code	Primary DP-1	Off
Off	Length Monitor	Secondary DP-1	Off
Off	Skew Monitor	Doc. Printer 12	Off
Xport	Check Stackers	Document Sorter	Off
Off	Endorser	Mode Overrides	No Sav
	Not Used	Film Definition	F
Save & End Session		Don't Save & End Session	
Previous Menu		End Configuration	

Image Management Code

Status

IMT Search Prg Number

Magnification

Splice Definition

Image Mark Sizes

Image Polarity

Duplex Front Location

Film Image Orientation

Image Offset

Previous Menu

Enter Image Offset

000

Range: 0 - 127

2. Enter a number within the range 0 - 127.

# Length Monitor

NOTE: The Advanced Document Controller must be installed.

- Microimager 70    ■ Microimager 70/AFM    ■ Scanner 900
- Scanner 923    ■ Scanner/Microimager 990    ■ Scanner 9500

1. Select *Length Monitor*.

Mode Number: 10		Mode Name: MODE10																																																																																																																																	
Mode Configuration																																																																																																																																			
MODE 10 3 Lvl Supprs 4233 2112 None Auto Duplex ????? 1 Roll Comic Off Off Xport Off	<table border="1" style="width: 100%; border-collapse: collapse;"> <tr><th style="text-align: left;">Mode Name</th><th style="text-align: left;">Ftswitch Pressed</th><th style="text-align: left;">Ftswitch Released</th><th style="text-align: left;">Ftswitch Cnf Tone</th></tr> <tr><td>Index Format</td><td>Undef</td><td>Undef</td><td>Off</td></tr> <tr><td>IA Display Format</td><td></td><td></td><td>Off</td></tr> <tr><td>IA Field Widths</td><td></td><td></td><td>Off</td></tr> <tr><td>Level Rules</td><td></td><td></td><td>Off</td></tr> <tr><td>Batching</td><td></td><td></td><td>Off</td></tr> <tr><td>AEC Mode</td><td></td><td></td><td>Lvl 2</td></tr> <tr><td>Film Mode</td><td></td><td></td><td>Off</td></tr> <tr><td></td><td></td><td></td><td>Bar Code</td></tr> <tr><td>Reduction Ratio</td><td></td><td></td><td>Confirmation Tone</td></tr> <tr><td># of Cassettes</td><td></td><td></td><td>N N N</td></tr> <tr><td>Film Writer</td><td></td><td></td><td>OCR Status</td></tr> <tr><td>Image Mgmt Code</td><td></td><td></td><td>Off</td></tr> <tr><td><b>Length Monitor</b></td><td></td><td></td><td>COIN User Channel</td></tr> <tr><td>Skew Monitor</td><td></td><td></td><td>On</td></tr> <tr><td>Check Stacker</td><td></td><td></td><td>Printer Control</td></tr> <tr><td>Endorser</td><td></td><td></td><td>Disply</td></tr> <tr><td>Not Used</td><td></td><td></td><td>Primary DP-1</td></tr> <tr><td></td><td></td><td></td><td>Off</td></tr> <tr><td></td><td></td><td></td><td>Secondary DP-1</td></tr> <tr><td></td><td></td><td></td><td>Off</td></tr> <tr><td></td><td></td><td></td><td>Doc. Printer 12</td></tr> <tr><td></td><td></td><td></td><td>Off</td></tr> <tr><td></td><td></td><td></td><td>Document Sorter</td></tr> <tr><td></td><td></td><td></td><td>Off</td></tr> <tr><td></td><td></td><td></td><td>Mode Overrides</td></tr> <tr><td></td><td></td><td></td><td>No Sav</td></tr> <tr><td></td><td></td><td></td><td>Film Definition</td></tr> <tr><td></td><td></td><td></td><td>F</td></tr> </table>	Mode Name	Ftswitch Pressed	Ftswitch Released	Ftswitch Cnf Tone	Index Format	Undef	Undef	Off	IA Display Format			Off	IA Field Widths			Off	Level Rules			Off	Batching			Off	AEC Mode			Lvl 2	Film Mode			Off				Bar Code	Reduction Ratio			Confirmation Tone	# of Cassettes			N N N	Film Writer			OCR Status	Image Mgmt Code			Off	<b>Length Monitor</b>			COIN User Channel	Skew Monitor			On	Check Stacker			Printer Control	Endorser			Disply	Not Used			Primary DP-1				Off				Secondary DP-1				Off				Doc. Printer 12				Off				Document Sorter				Off				Mode Overrides				No Sav				Film Definition				F	<table border="1" style="width: 100%; border-collapse: collapse;"> <tr><th colspan="2" style="text-align: left;">Length Monitor</th></tr> <tr><td>Status</td><td></td></tr> <tr><td>Max Document Length</td><td></td></tr> <tr><td>Min Document Length</td><td></td></tr> <tr><td>Length Err Response</td><td></td></tr> <tr><td>Previous Menu</td><td></td></tr> </table>	Length Monitor		Status		Max Document Length		Min Document Length		Length Err Response		Previous Menu		
Mode Name	Ftswitch Pressed	Ftswitch Released	Ftswitch Cnf Tone																																																																																																																																
Index Format	Undef	Undef	Off																																																																																																																																
IA Display Format			Off																																																																																																																																
IA Field Widths			Off																																																																																																																																
Level Rules			Off																																																																																																																																
Batching			Off																																																																																																																																
AEC Mode			Lvl 2																																																																																																																																
Film Mode			Off																																																																																																																																
			Bar Code																																																																																																																																
Reduction Ratio			Confirmation Tone																																																																																																																																
# of Cassettes			N N N																																																																																																																																
Film Writer			OCR Status																																																																																																																																
Image Mgmt Code			Off																																																																																																																																
<b>Length Monitor</b>			COIN User Channel																																																																																																																																
Skew Monitor			On																																																																																																																																
Check Stacker			Printer Control																																																																																																																																
Endorser			Disply																																																																																																																																
Not Used			Primary DP-1																																																																																																																																
			Off																																																																																																																																
			Secondary DP-1																																																																																																																																
			Off																																																																																																																																
			Doc. Printer 12																																																																																																																																
			Off																																																																																																																																
			Document Sorter																																																																																																																																
			Off																																																																																																																																
			Mode Overrides																																																																																																																																
			No Sav																																																																																																																																
			Film Definition																																																																																																																																
			F																																																																																																																																
Length Monitor																																																																																																																																			
Status																																																																																																																																			
Max Document Length																																																																																																																																			
Min Document Length																																																																																																																																			
Length Err Response																																																																																																																																			
Previous Menu																																																																																																																																			
Save & End Session		Don't Save & End Session																																																																																																																																	
Previous Menu		End Configuration																																																																																																																																	



## Status

This mode enables or disables length monitoring. The default value is *Off* or *Disabled*.

- Microimager 70    ■ Microimager 70/AFM    ■ Scanner 900
- Scanner 923    ■ Scanner/Microimager 990    ■ Scanner 9500

### 1. Select *Status*.

Mode Number: 10		Mode Name: MODE10			
Mode Configuration				Length Monitor	
MODE 10	Mode Name	Ftswitch Pressed	Undef	Status	
3 Lvl	Index Format	Ftswitch Released	Undef	Max Document Length	
Supprs	IA Display Format	Ftswitch Cnf Tone	Off	Min Document Length	
4233	IA Field Widths	Patch Reader 1	Off	Length Err Response	
2112	Level Rules	Patch Reader 2	Off	Previous Menu	
None	Batching	Patch Definition	Lvl 2		
Auto	AEC Mode	Bar Code	Off		
Duplex	Film Mode	Confirmation Tone	N N N		
?????	Reduction Ratio	OCR Status	Off		
1 Roll	# of Cassettes	COIN User Channel	On		
Comic	Film Writer	Printer Control	Disply		
Off	Image Mgmt Code	Primary DP-1	Off		
Off	Length Monitor	Secondary DP-1	Off		
Off	Skew Monitor	Doc. Printer 12	Off		
Xport	Check Stackers	Document Sorter	Off		
Off	Endorser	Mode Overrides	No Sav		
	Not Used	Film Definition	F		
Save & End Session		Don't Save & End Session		Length Check	
Previous Menu		End Configuration		Off or Disabled	
				On or Enabled	
				Previous Menu	

### 2. Select the desired status.

NOTE: If *Off* or *Disabled* is selected, definitions for the remaining options will be ignored.

## Maximum Document Length

This mode defines the maximum document length accepted. The default value is *13.000 inches/325 mm*.

- Microimager 70    ■ Microimager 70/AFM    ■ Scanner 900
- Scanner 923    ■ Scanner/Microimager 990    ■ Scanner 9500

### 1. Select *Max Document Length*.

Mode Number: 10		Mode Name: MODE10			
Mode Configuration				Length Monitor	
MODE 10	Mode Name	Ftswitch Pressed	Undef	Status	
3 Lvl	Index Format	Ftswitch Released	Undef	Max Document Length	
Supprs	IA Display Format	Ftswitch Cnf Tone	Off	Min Document Length	
4233	IA Field Widths	Patch Reader 1	Off	Length Err Response	
2112	Level Rules	Patch Reader 2	Off	Previous Menu	
None	Batching	Patch Definition	Lvl 2		
Auto	AEC Mode	Bar Code	Off		
Duplex	Film Mode	Confirmation Tone	N N N		
????	Reduction Ratio	OCR Status	Off		
1 Roll	# of Cassettes	COIN User Channel	On		
Comic	Film Writer	Printer Control	Disply		
Off	Image Mgmt Code	Primary DP-1	Off		
Off	Length Monitor	Secondary DP-1	Off		
Off	Skew Monitor	Doc. Printer 12	Off		
Xport	Check Stacker	Document Sorter	Off		
Off	Endorser	Mode Overrides	No Sav		
	Not Used	Film Definition	F		
Save & End Session		Don't Save & End Session			
Previous Menu		End Configuration			
				Enter Max. Doc. Length Range: 2.50...75.000	
				0013.00 inches 0330.20 metric	

### 2. Enter the maximum document length within the allowable range for your machine type:

- Microimager 70—2.5 to 75 inches or 63 to 1905 mm.
- Scanner 900—2.5 to 20 inches or 63 to 508.00 mm.
- Scanner 923—2.5 to 20 inches or 63 to 508.00 mm.
- Scanner 9500—2.5 to 30 inches or 63 to 762 mm.
- Scanner/Microimager 990—2.5 to 2.0 inches or 63.50 to 508.00 mm.

## Minimum Document Length

This mode defines the minimum document length accepted. The default value is *02.500 inches/63 mm*.

- Microimager 70    ■ Microimager 70/AFM    ■ Scanner 900
- Scanner 923    ■ Scanner/Microimager 990    ■ Scanner 9500

### 1. Select *Min Document Length*.

Mode Number: 10		Mode Name: MODE10			
Mode Configuration				Length Monitor	
MODE 10	Mode Name	Ftswitch Pressed	Undef		
3 Lvl	Index Format	Ftswitch Released	Undef		Status
Supprs	IA Display Format	Ftswitch Cnf Tone	Off		Max Document Length
4233	IA Field Widths	Patch Reader 1	Off		Min Document Length
2112	Level Rules	Patch Reader 2	Off		Length Err Response
None	Batching	Patch Definition	Lvl 2		Previous Menu
Auto	AEC Mode	Bar Code	Off		
Duplex	Film Mode	Confirmation Tone	N N N		
?????	Reduction Ratio	OCR Status	Off		
1 Roll	# of Cassettes	COIN User Channel	On		
Comic	Film Writer	Printer Control	Disply		
Off	Image Mgmt Code	Primary DP-1	Off		
Off	Length Monitor	Secondary DP-1	Off		
Off	Skew Monitor	Doc. Printer 12	Off		
Xport	Check Stacker	Document Sorter	Off		
Off	Endorser	Mode Overrides	No Sav		
	Not Used	Film Definition	F		
Save & End Session		Don't Save & End Session			
Previous Menu		End Configuration			
				Enter Min. Doc. Length Range: 2.500...13.00	
				0002.500 inches 0063.499 metric	

### 2. Enter the minimum document length within the range 2.5 to 13 inches or 63.50 to 330.20 mm.

## Length Error Response

This mode defines the action taken if a document is smaller than the minimum length specified or larger than the maximum length specified. The default value is *Display and Beep*.

- Microimager 70    ■ Microimager 70/AFM    ■ Scanner 900
- Scanner 923    ■ Scanner/Microimager 990    ■ Scanner 9500

1. Select *Length Err Response*.

Mode Number: 10		Mode Name: MODE10			
Mode Configuration:				Length Monitor	
MODE 10	Mode Name	Ftswitch Pressed	Undef	Status	
3 Lvl	Index Format	Ftswitch Released	Undef	Max Document Length	
Supprs	IA Display Format	Ftswitch Cnf Tone	Off	Min Document Length	
4233	IA Field Widths	Patch Reader 1	Off	Length Err Response	
2112	Level Rules	Patch Reader 2	Off	Previous Menu	
None	Batching	Patch Definition	Lvl 2		
Auto	AEC Mode	Bar Code	Off		
Duplex	Film Mode	Confirmation Tone	N N N		
????	Reduction Ratio	OCR Status	Off		
1 Roll	# of Cassettes	COIN User Channel	On		
Comic	Film Writer	Printer Control	Disply		
Off	Image Mgmt Code	Primary DP-1	Off		
Off	Length Monitor	Secondary DP-1	Off		
Off	Skew Monitor	Doc. Printer 12	Off		
Xport	Check Stackler	Document Sorter	Off		
Off	Endorser	Mode Overrides	No Sav	Len Chk Error Response	
	Not Used	Film Definition	F	Display	
				Display and Beep	
				Stop and Display	
				Previous Menu	
Save & End Session		Don't Save & End Session			
Previous Menu		End Configuration			

2. Select the desired error response action.

## Skew Monitor

- Microimager 70    ■ Microimager 70/AFM    ■ Scanner 900
- Scanner 923    ■ Scanner/Microimager 990    ■ Scanner 9500

NOTE: The Advanced Document Controller must be installed.

1. Select *Skew Monitor*.

Mode Number: 10		Mode Name: MODE10	
Mode Configuration			
MODE 10	Mode Name	Ftswitch Pressed	Undef
3 Lvl	Index Format	Ftswitch Released	Undef
Supprs	IA Display Format	Ftswitch Cnf Tone	Off
4233	IA Field Widths	Patch Reader 1	Off
2112	Level Rules	Patch Reader 2	Off
None	Batching	Patch Definition	Lvl 2
Auto	AEC Mode	Bar Code	Off
Duplex	Film Mode	Confirmation Tone	N N N
?????	Reduction Ratio	OCR Status	Off
1 Roll	# of Cassettes	COIN User Channel	On
Comic	Film Writer	Printer Control	Disply
Off	Image Mgmt Code	Primary DP-1	Off
Off	Length Monitor	Secondary DP-1	Off
Off	<b>Skew Monitor</b>	Doc. Printer 12	Off
Xport	Check Stackner	Document Sorter	Off
Off	Endorser	Mode Overrides	No Sav
	Not Used	Film Definition	F
Save & End Session		Don't Save & End Session	
Previous Menu		End Configuration	

Skew Monitor

Skew Detect Status

Skew Threshold

Skew Error Response

Previous Menu

## Skew Detect Status

Enables or disables skew detection. The default value is *Off or Disabled*.

- Microimager 70    ■ Microimager 70/AFM    ■ Scanner 900
- Scanner 923    ■ Scanner/Microimager 990    ■ Scanner 9500

1. Select *Skew Detect Status*.

Mode Number: 10		Mode Name: MODE10	
Mode Configuration			
MODE 10	Mode Name	Ftswitch Pressed	Undef
3 Lvl	Index Format	Ftswitch Released	Undef
Supprs	IA Display Format	Ftswitch Cnf Tone	Off
4233	IA Field Widths	Patch Reader 1	Off
2112	Level Rules	Patch Reader 2	Off
None	Batching	Patch Definition	Lvl 2
Auto	AEC Mode	Bar Code	Off
Duplex	Film Mode	Confirmation Tone	N N N
?????	Reduction Ratio	OCR Status	Off
1 Roll	# of Cassettes	COIN User Channel	On
Comic	Film Writer	Printer Control	Disply
Off	Image Mgmt Code	Primary DP-1	Off
Off	Length Monitor	Secondary DP-1	Off
Off	Skew Monitor	Doc. Printer 12	Off
Xport	Check Stackner	Document Sorter	Off
Off	Endorser	Mode Overrides	No Sav
	Not Used	Film Definition	F
Save & End Session		Don't Save & End Session	
Previous Menu		End Configuration	

Skew Monitor

Skew Detect Status

Skew Threshold

Skew Error Response

Previous Menu

Skew Status

Off or Disabled

On or Enabled

Previous Menu

2. Select the desired status.

NOTE: If *Off or Disabled* is selected, definitions for the remaining options will be ignored.

## Skew Threshold

This mode defines the amount of tolerable skew. If *5 Degrees* is selected, an error will be reported if the amount of document skew is between 5 and 30 degrees. If *10 Degrees* is selected, an error will be reported if the amount of document skew is between 10 and 30 degrees. Regardless of the option selected, if the amount of document skew is greater than 30 degrees, no error will be reported. The default value is *10 Degrees*.

Microimager 70     Microimager 70/AFM     Scanner 900  
 Scanner 923     Scanner/Microimager 990     Scanner 9500

### 1. Select *Skew Threshold*.

Mode Number: 10		Mode Name: MODE10	
Mode Configuration:			
MODE 10	Mode Name	Ftswitch Pressed	Undef
3 Lvl	Index Format	Ftswitch Released	Undef
Supprs	IA Display Format	Ftswitch Cnf Tone	Off
4233	IA Field Widths	Patch Reader 1	Off
2112	Level Rules	Patch Reader 2	Off
None	Batching	Patch Definition	Lvl 2
Auto	AEC Mode	Bar Code	Off
Duplex	Film Mode	Confirmation Tone	N N N
?????	Reduction Ratio	OCR Status	Off
1 Roll	# of Cassettes	COIN User Channel	On
Comic	Film Writer	Printer Control	Disply
Off	Image Mgmt Code	Primary DP-1	Off
Off	Length Monitor	Secondary DP-1	Off
Off	Skew Monitor	Doc. Printer 12	Off
Xport	Check Stacker	Document Sorter	Off
Off	Endorser	Mode Overrides	No Sav
	Not Used	Film Definition	F
Save & End Session		Don't Save & End Session	
Previous Menu		End Configuration	

Skew Monitor	
Skew Detect Status	
Skew Threshold	
Skew Error Response	
Previous Menu	

Skew Threshold	
5 Degrees	
10 Degrees	
Previous Menu	

### 2. Select the desired threshold.

## Skew Error Response

This mode defines the action taken if the amount of document skew is greater than the threshold specified. The default value is *Display and Beep*.

- Microimager 70    ■ Microimager 70/AFM    ■ Scanner 900
- Scanner 923    ■ Scanner/Microimager 990    ■ Scanner 9500

1. Select *Skew Err Response*.

Mode Number: 10		Mode Name: MODE10			
Mode Configuration				Skew Monitor	
MODE 10	Mode Name	Ftswitch Pressed	Undef	Skew Detect Status	
3 Lvl	Index Format	Ftswitch Released	Undef	Skew Threshold	
Supprs	IA Display Format	Ftswitch Cnf Tone	Off	Skew Error Response	
4233	IA Field Widths	Patch Reader 1	Off	Previous Menu	
2112	Level Rules	Patch Reader 2	Off		
None	Batching	Patch Definition	Lvl 2		
Auto	AEC Mode	Bar Code	Off		
Duplex	Film Mode	Confirmation Tone	N N N		
????	Reduction Ratio	OCR Status	Off		
1 Roll	# of Cassettes	COIN User Channel	On		
Comic	Film Writer	Printer Control	Disply		
Off	Image Mgmt Code	Primary DP-1	Off		
Off	Length Monitor	Secondary DP-1	Off		
Off	Skew Monitor	Doc. Printer 12	Off		
Xport	Check Stacker	Document Sorter	Off		
Off	Endorser	Mode Overrides	No Sav		
	Not Used	Film Definition	F		
Save & End Session		Don't Save & End Session		Skewed Error Response	
Previous Menu		End Configuration		Display	
				Display and Beep	
				Stop and Display	
				Previous Menu	

2. Select the desired error response action.

# Check Stacker

NOTE: The Check Stacker must be installed.

This mode defines when the check stacker is activated. *Continuous* will activate the check stacker whenever the side panel switch is on. *Documents in Transport* will activate the check stacker only when there are documents exiting the transport. The default value is *Documents in Transport*.

- Microimager 70    ■ Microimager 70/AFM    ■ Scanner 900
- Scanner 923    ■ Scanner/Microimager 990    ■ Scanner 9500

1. Select *Check Stacker*.

Mode Number: 10		Mode Name: MODE10	
Mode Configuration			
MODE 10	Mode Name	Ftswitch Pressed	Undef
3 Lvl	Index Format	Ftswitch Released	Undef
Supprs	IA Display Format	Ftswitch Cnf Tone	Off
4233	IA Field Widths	Patch Reader 1	Off
2112	Level Rules	Patch Reader 2	Off
None	Batching	Patch Definition	Lvl 2
Auto	AEC Mode	Bar Code	Off
Duplex	Film Mode	Confirmation Tone	N N N
?????	Reduction Ratio	OCR Status	Off
1 Roll	# of Cassettes	COIN User Channel	On
Comic	Film Writer	Printer Control	Disply
Off	Image Mgmt Code	Primary DP-1	Off
Off	Length Monitor	Secondary DP-1	Off
Off	Skew Monitor	Doc. Printer 12	Off
Xport	Check Stacker	Document Sorter	Off
Off	Endorser	Mode Overrides	No Sav
	Not Used	Film Definition	F
Save & End Session		Don't Save & End Session	
Previous Menu		End Configuration	

Check Stacker

Continuous

Documents in Transport

Previous Menu

2. Select the desired option.



# Endorser

NOTE: The Endorser must be installed.

- Microimager 70    ■ Microimager 70/AFM    ■ Scanner 900
- Scanner 923    ■ Scanner/Microimager 990    ■ Scanner 9500

## 1. Select *Endorser*.

Mode Number: 10		Mode Name: MODE10			
Mode Configuration				Endorser	
MODE 10	Mode Name	Ftswitch Pressed	Undef		Status
3 Lvl	Index Format	Ftswitch Released	Undef		Mode
Supprs	IA Display Format	Ftswitch Cnf Tone	Off		Print Position
4233	IA Field Widths	Patch Reader 1	Off		Previous Menu
2112	Level Rules	Patch Reader 2	Off		
None	Batching	Patch Definition	Lvl 2		
Auto	AEC Mode	Bar Code	Off		
Duplex	Film Mode	Confirmation Tone	N N N		
?????	Reduction Ratio	OCR Status	Off		
1 Roll	# of Cassettes	COIN User Channel	On		
Comic	Film Writer	Printer Control	Disply		
Off	Image Mgmt Code	Primary DP-1	Off		
Off	Length Monitor	Secondary DP-1	Off		
Off	Skew Monitor	Doc. Printer 12	Off		
Xport	Check Stacker	Document Sorter	Off		
Off	Endorser	Mode Overrides	No Sav		
	Not Used	Film Definition	F		
Save & End Session		Don't Save & End Session			
Previous Menu		End Configuration			

## Endorser Status

Enables or disables the endorser. The default value is *Off or Disabled*.

- Microimager 70    ■ Microimager 70/AFM    ■ Scanner 900
- Scanner 923    ■ Scanner/Microimager 990    ■ Scanner 9500

### 1. Select *Status*.

Mode Number: 10		Mode Name: MODE10			
Mode Configuration:				Endorser	
MODE 10	Mode Name	Ftswitch Pressed	Undef		
3 Lvl	Index Format	Ftswitch Released	Undef		Status
Supprs	IA Display Format	Ftswitch Cnf Tone	Off		Mode
4233	IA Field Widths	Patch Reader 1	Off		Print Position
2112	Level Rules	Patch Reader 2	Off		Previous Menu
None	Batching	Patch Definition	Lvl 2		
Auto	AEC Mode	Bar Code	Off		
Duplex	Film Mode	Confirmation Tone	N N N		
?????	Reduction Ratio	OCR Status	Off		
1 Roll	# of Cassettes	COIN User Channel	On		
Comic	Film Writer	Printer Control	Disply		
Off	Image Mgmt Code	Primary DP-1	Off		
Off	Length Monitor	Secondary DP-1	Off		
Off	Skew Monitor	Doc. Printer 12	Off		
Xport	Check Stacker	Document Sorter	Off		
Off	Endorser	Mode Overrides	No Sav		
	Not Used	Film Definition	F		
Save & End Session		Don't Save & End Session			
Previous Menu		End Configuration			
				Endorser Status	
				Off or Disabled	
				On or Enabled	
				Previous Menu	

### 2. Select the desired status.

NOTE: If *Off or Disabled* is selected, definitions for the remaining options will be ignored.

## Endorser Mode

This mode defines whether the endorser will print continually or only once per document. *Continuous* will activate the Endorser continually. *Single Stamp* will activate the Endorser only once per document. The default value is *Continuous*.

- Microimager 70    ■ Microimager 70/AFM    ■ Scanner 900
- Scanner 923    ■ Scanner/Microimager 990    ■ Scanner 9500

### 1. Select *Mode*.

Mode Number: 10	Mode Name: MODE10																																																																																																	
Mode Configuration																																																																																																		
<table border="1" style="width: 100%; border-collapse: collapse;"> <tr><td>MODE 10</td><td>Mode Name</td><td>Ftswitch Pressed</td><td>Undef</td></tr> <tr><td>3 Lvl</td><td>Index Format</td><td>Ftswitch Released</td><td>Undef</td></tr> <tr><td>Supprs</td><td>IA Display Format</td><td>Ftswitch Cnf Tone</td><td>Off</td></tr> <tr><td>4233</td><td>IA Field Widths</td><td>Patch Reader 1</td><td>Off</td></tr> <tr><td>2112</td><td>Level Rules</td><td>Patch Reader 2</td><td>Off</td></tr> <tr><td>None</td><td>Batching</td><td>Patch Definition</td><td>Lvl 2</td></tr> <tr><td>Auto</td><td>AEC Mode</td><td>Bar Code</td><td>Off</td></tr> <tr><td>Duplex</td><td>Film Mode</td><td>Confirmation Tone</td><td>N N N</td></tr> <tr><td>?????</td><td>Reduction Ratio</td><td>OCR Status</td><td>Off</td></tr> <tr><td>1 Roll</td><td># of Cassettes</td><td>COIN User Channel</td><td>On</td></tr> <tr><td>Comic</td><td>Film Writer</td><td>Printer Control</td><td>Disply</td></tr> <tr><td>Off</td><td>Image Mgmt Code</td><td>Primary DP-1</td><td>Off</td></tr> <tr><td>Off</td><td>Length Monitor</td><td>Secondary DP-1</td><td>Off</td></tr> <tr><td>Off</td><td>Skew Monitor</td><td>Doc. Printer 12</td><td>Off</td></tr> <tr><td>Xport</td><td>Check Stacker</td><td>Document Sorter</td><td>Off</td></tr> <tr><td>Off</td><td>Endorser</td><td>Mode Overrides</td><td>No Sav</td></tr> <tr><td></td><td>Not Used</td><td>Film Definition</td><td>F</td></tr> </table>	MODE 10	Mode Name	Ftswitch Pressed	Undef	3 Lvl	Index Format	Ftswitch Released	Undef	Supprs	IA Display Format	Ftswitch Cnf Tone	Off	4233	IA Field Widths	Patch Reader 1	Off	2112	Level Rules	Patch Reader 2	Off	None	Batching	Patch Definition	Lvl 2	Auto	AEC Mode	Bar Code	Off	Duplex	Film Mode	Confirmation Tone	N N N	?????	Reduction Ratio	OCR Status	Off	1 Roll	# of Cassettes	COIN User Channel	On	Comic	Film Writer	Printer Control	Disply	Off	Image Mgmt Code	Primary DP-1	Off	Off	Length Monitor	Secondary DP-1	Off	Off	Skew Monitor	Doc. Printer 12	Off	Xport	Check Stacker	Document Sorter	Off	Off	Endorser	Mode Overrides	No Sav		Not Used	Film Definition	F	<table border="1" style="width: 100%; border-collapse: collapse;"> <tr><td colspan="4" style="text-align: center;">Endorser</td></tr> <tr><td>Status</td><td></td><td></td><td></td></tr> <tr><td>Mode</td><td></td><td></td><td></td></tr> <tr><td>Print Position</td><td></td><td></td><td></td></tr> <tr><td>Previous Menu</td><td></td><td></td><td></td></tr> </table>	Endorser				Status				Mode				Print Position				Previous Menu				<table border="1" style="width: 100%; border-collapse: collapse;"> <tr><td colspan="2" style="text-align: center;">Endorser Mode</td></tr> <tr><td>Continuous</td><td></td></tr> <tr><td>Single Stamp</td><td></td></tr> <tr><td>Previous Menu</td><td></td></tr> </table>	Endorser Mode		Continuous		Single Stamp		Previous Menu	
MODE 10	Mode Name	Ftswitch Pressed	Undef																																																																																															
3 Lvl	Index Format	Ftswitch Released	Undef																																																																																															
Supprs	IA Display Format	Ftswitch Cnf Tone	Off																																																																																															
4233	IA Field Widths	Patch Reader 1	Off																																																																																															
2112	Level Rules	Patch Reader 2	Off																																																																																															
None	Batching	Patch Definition	Lvl 2																																																																																															
Auto	AEC Mode	Bar Code	Off																																																																																															
Duplex	Film Mode	Confirmation Tone	N N N																																																																																															
?????	Reduction Ratio	OCR Status	Off																																																																																															
1 Roll	# of Cassettes	COIN User Channel	On																																																																																															
Comic	Film Writer	Printer Control	Disply																																																																																															
Off	Image Mgmt Code	Primary DP-1	Off																																																																																															
Off	Length Monitor	Secondary DP-1	Off																																																																																															
Off	Skew Monitor	Doc. Printer 12	Off																																																																																															
Xport	Check Stacker	Document Sorter	Off																																																																																															
Off	Endorser	Mode Overrides	No Sav																																																																																															
	Not Used	Film Definition	F																																																																																															
Endorser																																																																																																		
Status																																																																																																		
Mode																																																																																																		
Print Position																																																																																																		
Previous Menu																																																																																																		
Endorser Mode																																																																																																		
Continuous																																																																																																		
Single Stamp																																																																																																		
Previous Menu																																																																																																		
Save & End Session		Don't Save & End Session																																																																																																
Previous Menu		End Configuration																																																																																																

### 2. Select the desired mode.

## Endorser Print Position

This mode defines how far from the leading edge of the document the endorsement will appear: The default value is *0000.250 inch/ 6.350 mm*.

- Microimager 70    ■ Microimager 70/AFM    ■ Scanner 900
- Scanner 923    ■ Scanner/Microimager 990    ■ Scanner 9500

### 1. Select *Print Position*.

Mode Number: 10		Mode Name: MODE10			
Mode Configuration				Endorser	
MODE 10	Mode Name	Ftswitch Pressed	Undef	Status	
3 Lvl	Index Format	Ftswitch Released	Undef	Mode	
Supprs	IA Display Format	Ftswitch Cnf Tone	Off	Print Position	
4233	IA Field Widths	Patch Reader 1	Off	Previous Menu	
2112	Level Rules	Patch Reader 2	Off		
None	Batching	Patch Definition	Lvl 2		
Auto	AEC Mode	Bar Code	Off		
Duplex	Film Mode	Confirmation Tone	N N N		
????	Reduction Ratio	OCR Status	Off		
1 Roll	# of Cassettes	COIN User Channel	On		
Comic	Film Writer	Printer Control	Disply		
Off	Image Mgmt Code	Primary DP-1	Off		
Off	Length Monitor	Secondary DP-1	Off		
Off	Skew Monitor	Doc. Printer 12	Off		
Xport	Check Stacker	Document Sorter	Off		
Off	Endorser	Mode Overrides	No Sav		
	Not Used	Film Definition	F		
Save & End Session		Don't Save & End Session		Enter Print Position	
Previous Menu		End Configuration		<input style="width: 100%;" type="text" value="0000.250"/>	
				Range: 0.00 - 70.00	

### 2. Enter the desired print position within the allowable range for your machine type.

- Microimager 70—0 to 70 inches or 0 to 1778 mm.
- Scanner 900—0 to 20 inches or 0 to 500 mm.
- Scanner 923—0 to 20 inches or 0 to 500 mm.
- Scanner 9500—0 to 20 inches or 0 to 500 mm.
- Scanner/Microimager 990—0 to 20 inches or 0 to 500 mm.

## Not Used

This mode is not selectable. It is for future use only.

## Footswitch Pressed

NOTE: The Footswitch accessory must be installed.

This mode defines the action which results when the footswitch is pressed. The default is *Undefined*.

Microimager 70     Microimager 70/AFM     Scanner 900  
 Scanner 923     Scanner/Microimager 990     Scanner 9500

When using a Microimager 70 without the Advanced Function Module installed, a limited number of actions are available. The available actions are:

- Undefined
- Level 0
- Level 1
- Level 2
- Level 3
- Increment

When using a Microimager 70 with the Advanced Function Module installed, Scanner 900, Scanner 923, Scanner 9500, or Scanner/Microimager 990, all of the actions listed are available.

1. Select *Ftswitch Pressed*.

Mode Number: 10		Mode Name: MODE10	
MODE 10		Footswitch Pressed	
3 Lvl	Index Format	Ftswitch Released	Undef
Supprs	IA Display Format	Ftswitch Cnf Tone	Off
4233	IA Field Widths	Patch Reader 1	Off
2112	Level Rules	Patch Reader 2	Off
None	Batching	Patch Definition	Lvl 2
Auto	AEC Mode	Bar Code	Off
Duplex	Film Mode	Confirmation Tone	N N N
?????	Reduction Ratio	OCR Status	Off
1 Roll	# of Cassettes	COIN User Channel	On
Comic	Film Writer	Printer Control	Disply
Off	Image Mgmt Code	Primary DP-1	Off
Off	Length Monitor	Secondary DP-1	Off
Off	Skew Monitor	Doc. Printer 12	Off
Xport	Check Stacker	Document Sorter	Off
Off	Endorser	Mode Overrides	No Sav
	Not Used	Film Definition	F
Save & End Session		Don't Save & End Session	
Previous Menu		End Configuration	

2. Select the desired action.

NOTE: When *Footswitch Pressed* is set to undefined, F/S Released cannot be set.

## Footswitch Released

NOTE: The Footswitch accessory must be installed.

This mode defines the action which results when the footswitch is pressed. The default is *Undefined*.

- Microimager 70    ■ Microimager 70/AFM    ■ Scanner 900
- Scanner 923    ■ Scanner/Microimager 990    ■ Scanner 9500

1. Select *Ftswitch Pressed*.

Mode Number: 10		Mode Name: MODE10			
Mode Configuration				FS Released	
MODE 10	Mode Name	Ftswitch Pressed	Undef	<div style="border: 1px solid black; padding: 5px;">                     Undefined                      Level 0                      Level 1                      Level 2                      Level 3                      Previous Menu                 </div>	
3 Lvl	Index Format	Ftswitch Released	Undef		
Supprs	IA Display Format	Ftswitch Cnfr Tone	Off		
4233	IA Field Widths	Patch Reader 1	Off		
2112	Level Rules	Patch Reader 2	Off		
None	Batching	Patch Definition	Lvl 2		
Auto	AEC Mode	Bar Code	Off		
Duplex	Film Mode	Confirmation Tone	N N N		
?????	Reduction Ratio	OCR Status	Off		
1 Roll	# of Cassettes	COIN User Channel	On		
Comic	Film Writer	Printer Control	Disply		
Off	Image Mgmt Code	Primary DP-1	Off		
Off	Length Monitor	Secondary DP-1	Off		
Off	Skew Monitor	Doc. Printer 12	Off		
Xport	Check Stacker	Document Sorter	Off		
Off	Endorser	Mode Overrides	No Sav		
	Not Used	Film Definition	F		
Save & End Session		Don't Save & End Session			
Previous Menu		End Configuration			

2. Select the desired action.

## Footswitch Confirmation Tone

NOTE: The Footswitch accessory must be installed.

This mode enables or disables the footswitch press confirmation tone. The default is *Off or Disabled*.

Microimager 70     Microimager 70/AFM     Scanner 900  
 Scanner 923     Scanner/Microimager 990     Scanner 9500

1. Select *Ftswitch Cnf Tone*.

Mode Number: 10		Mode Name: MODE10	
Mode Configuration			
MODE 10	Mode Name	Ftswitch Pressed	Undef
3 Lvl	Index Format	Ftswitch Released	Undef
Supprs	IA Display Format	<b>Ftswitch Cnf Tone</b>	Off
4233	IA Field Widths	Patch Reader 1	Off
2112	Level Rules	Patch Reader 2	Off
None	Batching	Patch Definition	Lvl 2
Auto	AEC Mode	Bar Code	Off
Duplex	Film Mode	Confirmation Tone	N N N
?????	Reduction Ratio	OCR Status	Off
1 Roll	# of Cassettes	COIN User Channel	On
Comic	Film Writer	Printer Control	Disply
Off	Image Mgmt Code	Primary DP-1	Off
Off	Length Monitor	Secondary DP-1	Off
Off	Skew Monitor	Doc. Printer 12	Off
Xport	Check Stacker	Document Sorter	Off
Off	Endorser	Mode Overrides	No Sav
	Not Used	Film Definition	F
Save & End Session		Don't Save & End Session	
Previous Menu		End Configuration	

Ft Switch Tone
Off or Disabled
On or Enabled
Previous Menu

2. Select the desired action.

NOTE: A confirmation tone is issued only when the footswitch is pressed, not when a footswitch is released.

# Patch Reader 1

NOTE: A Patch Reader accessory or Document Scanning Array must be installed.

Enables or disables the primary patch reader. The default value is *Off or Disabled*.

- Microimager 70    ■ Microimager 70/AFM    ■ Scanner 900
- Scanner 923    ■ Scanner/Microimager 990    ■ Scanner 9500

1. Select *Patch Reader 1*.

Mode Number: 10		Mode Name: MODE10	
Mode Configuration			
MODE 10	Mode Name	Ftswitch Pressed	Undef
3 Lvl	Index Format	Ftswitch Released	Undef
Supprs	IA Display Format	Ftswitch Cnf Tone	Off
4233	IA Field Widths	Patch Reader 1	Off
2112	Level Rules	Patch Reader 2	Off
None	Batching	Patch Definition	Lvl 2
Auto	AEC Mode	Bar Code	Off
Duplex	Film Mode	Confirmation Tone	N N N
?????	Reduction Ratio	OCR Status	Off
1 Roll	# of Cassettes	COIN User Channel	On
Comic	Film Writer	Printer Control	Disply
Off	Image Mgmt Code	Primary DP-1	Off
Off	Length Monitor	Secondary DP-1	Off
Off	Skew Monitor	Doc. Printer 12	Off
Xport	Check Stacker	Document Sorter	Off
Off	Endorser	Mode Overrides	No Sav
	Not Used	Film Definition	F
Save & End Session		Don't Save & End Session	
Previous Menu		End Configuration	

Units with Patch Reader

Patch 1 Status
Off or Disabled
On or Enabled
Previous Menu

2. Select the desired status.

NOTE: IF *Off or Disabled* is selected, the definitions for the remaining patch options will be ignored.

If you have a unit with Document Scanning Array (DSA) and you choose Patch Reader 1 you will get the message: Patch Reader 1: the accessory that you requested is not installed. This is due to the fact that Patch Reading must be set up under barcode if you have a DSA.



## Patch Reader 2

NOTE: A Patch Reader accessories or Document Scanning Array must be installed.

Enables or disables the secondary patch reader. The default value is *Off or Disabled*.

Microimager 70     Microimager 70/AFM     Scanner 900  
 Scanner 923     Scanner/Microimager 990     Scanner 9500

1. Select *Patch Reader 2*.

Mode Number: 10		Mode Name: MODE10	
Mode Configuration			
MODE 10	Mode Name	Ftswitch Pressed	Undef
3 Lvl	Index Format	Ftswitch Released	Undef
Supprs	IA Display Format	Ftswitch Cnf Tone	Off
4233	IA Field Widths	Patch Reader 1	Off
2112	Level Rules	Patch Reader 2	Off
None	Batching	Patch Definition	Lvl 2
Auto	AEC Mode	Bar Code	Off
Duplex	Film Mode	Confirmation Tone	N N N
?????	Reduction Ratio	OCR Status	Off
1 Roll	# of Cassettes	COIN User Channel	On
Comic	Film Writer	Printer Control	Disply
Off	Image Mgmt Code	Primary DP-1	Off
Off	Length Monitor	Secondary DP-1	Off
Off	Skew Monitor	Doc. Printer 12	Off
Xport	Check Stacker	Document Sorter	Off
Off	Endorser	Mode Overrides	No Sav
	Not Used	Film Definition	F
Save & End Session		Don't Save & End Session	
Previous Menu		End Configuration	

Patch 2 Status

Off or Disabled

On or Enabled

Previous Menu

2. Select the desired status.

NOTE: IF *Off or Disabled* is selected, the definitions for the remaining patch options will be ignored.

If you have a DSA, this option is not available.

# Patch Definition

NOTE: At least one Patch Reader accessory or Document Scanning Array must be installed.

- Microimager 70    ■ Microimager 70/AFM    ■ Scanner 900
- Scanner 923    ■ Scanner/Microimager 990    ■ Scanner 9500

1. Select *Patch Definition*.

Mode Number: 10		Mode Name: MODE10																																																																							
Mode Configuration				Patch Definition																																																																					
MODE 10	<table border="0" style="width: 100%;"> <tr><td>3 Lvl</td><td>Index Format</td></tr> <tr><td>Supprs</td><td>IA Display Format</td></tr> <tr><td>4233</td><td>IA Field Widths</td></tr> <tr><td>2112</td><td>Level Rules</td></tr> <tr><td>None</td><td>Batching</td></tr> <tr><td>Auto</td><td>AEC Mode</td></tr> <tr><td>Duplex</td><td>Film Mode</td></tr> <tr><td>?????</td><td>Reduction Ratio</td></tr> <tr><td>1 Roll</td><td># of Cassettes</td></tr> <tr><td>Comic</td><td>Film Writer</td></tr> <tr><td>Off</td><td>Image Mgmt Code</td></tr> <tr><td>Off</td><td>Length Monitor</td></tr> <tr><td>Off</td><td>Skew Monitor</td></tr> <tr><td>Xport</td><td>Check Stacker</td></tr> <tr><td>Off</td><td>Endorser</td></tr> <tr><td></td><td>Not Used</td></tr> </table>	3 Lvl	Index Format	Supprs	IA Display Format	4233	IA Field Widths	2112	Level Rules	None	Batching	Auto	AEC Mode	Duplex	Film Mode	?????	Reduction Ratio	1 Roll	# of Cassettes	Comic	Film Writer	Off	Image Mgmt Code	Off	Length Monitor	Off	Skew Monitor	Xport	Check Stacker	Off	Endorser		Not Used	<table border="0" style="width: 100%;"> <tr><td>Ftswitch Pressed</td><td>Undef</td></tr> <tr><td>Ftswitch Released</td><td>Undef</td></tr> <tr><td>Ftswitch Cnf Tone</td><td>Off</td></tr> <tr><td>Patch Reader 1</td><td>Off</td></tr> <tr><td>Patch Reader 2</td><td>Off</td></tr> <tr style="background-color: #e0e0e0;"><td>Patch Definition</td><td>Lvl 2</td></tr> <tr><td>Bar Code</td><td>Off</td></tr> <tr><td>Confirmation Tone</td><td>N N N</td></tr> <tr><td>OCR Status</td><td>Off</td></tr> <tr><td>COIN User Channel</td><td>On</td></tr> <tr><td>Printer Control</td><td>Disply</td></tr> <tr><td>Primary DP-1</td><td>Off</td></tr> <tr><td>Secondary DP-1</td><td>Off</td></tr> <tr><td>Doc. Printer 12</td><td>Off</td></tr> <tr><td>Document Sorter</td><td>Off</td></tr> <tr><td>Mode Overrides</td><td>No Sav</td></tr> <tr><td>Film Definition</td><td>F</td></tr> </table>	Ftswitch Pressed	Undef	Ftswitch Released	Undef	Ftswitch Cnf Tone	Off	Patch Reader 1	Off	Patch Reader 2	Off	Patch Definition	Lvl 2	Bar Code	Off	Confirmation Tone	N N N	OCR Status	Off	COIN User Channel	On	Printer Control	Disply	Primary DP-1	Off	Secondary DP-1	Off	Doc. Printer 12	Off	Document Sorter	Off	Mode Overrides	No Sav	Film Definition	F	<table border="1" style="width: 100%; border-collapse: collapse;"> <tr><td>Transfer Patch Definition</td></tr> <tr><td>Film Transfer Patches</td></tr> <tr><td>Patch Recognition</td></tr> <tr><td>Previous Menu</td></tr> </table>	Transfer Patch Definition	Film Transfer Patches	Patch Recognition	Previous Menu
3 Lvl	Index Format																																																																								
Supprs	IA Display Format																																																																								
4233	IA Field Widths																																																																								
2112	Level Rules																																																																								
None	Batching																																																																								
Auto	AEC Mode																																																																								
Duplex	Film Mode																																																																								
?????	Reduction Ratio																																																																								
1 Roll	# of Cassettes																																																																								
Comic	Film Writer																																																																								
Off	Image Mgmt Code																																																																								
Off	Length Monitor																																																																								
Off	Skew Monitor																																																																								
Xport	Check Stacker																																																																								
Off	Endorser																																																																								
	Not Used																																																																								
Ftswitch Pressed	Undef																																																																								
Ftswitch Released	Undef																																																																								
Ftswitch Cnf Tone	Off																																																																								
Patch Reader 1	Off																																																																								
Patch Reader 2	Off																																																																								
Patch Definition	Lvl 2																																																																								
Bar Code	Off																																																																								
Confirmation Tone	N N N																																																																								
OCR Status	Off																																																																								
COIN User Channel	On																																																																								
Printer Control	Disply																																																																								
Primary DP-1	Off																																																																								
Secondary DP-1	Off																																																																								
Doc. Printer 12	Off																																																																								
Document Sorter	Off																																																																								
Mode Overrides	No Sav																																																																								
Film Definition	F																																																																								
Transfer Patch Definition																																																																									
Film Transfer Patches																																																																									
Patch Recognition																																																																									
Previous Menu																																																																									
Save & End Session		Don't Save & End Session																																																																							
Previous Menu		End Configuration																																																																							

## Transfer Patch Definition

This mode defines which level should be assigned to the next document when a transfer patch is used. The default value is *Level 2*.

- Microimager 70    ■ Microimager 70/AFM    ■ Scanner 900
- Scanner 923    ■ Scanner/Microimager 990    ■ Scanner 9500

1. Select *Transfer Patch Definition*.

Mode Number: 10		Mode Name: MODE10	
Mode Configuration 1			
MODE 10 3 Lvl Supprs 4233 2112 None Auto Duplex ????? 1 Roll Comic Off Off Off Xport Off	Mode Name Index Format IA Display Format IA Field Widths Level Rules Batching AEC Mode Film Mode Reduction Ratio # of Cassettes Film Writer Image Mgmt Code Length Monitor Skew Monitor Check Stacker Endorser Not Used	Ftswitch Pressed Ftswitch Released Ftswitch Cnf Tone Patch Reader 1 Patch Reader 2 Patch Definition Bar Code Confirmation Tone OCR Status COIN User Channel Printer Control Primary DP-1 Secondary DP-1 Doc. Printer 12 Document Sorter Mode Overrides Film Definition	Undef Undef Off Off Off Lvl 2 Off N N N Off On Disply Off Off Off Off No Sav F
Save & End Session		Don't Save & End Session	
Previous Menu		End Configuration	

Patch Definition

Transfer Patch Definition  
 Film Transfer Patches  
 Patch Recognition  
 Previous Menu

Patch Field

Level 1  
 Level 2  
 Level 3  
 None  
 Previous Menu

2. Select the desired level.

## Film Transfer Patches

This mode defines whether or not a document containing a transfer patch is to be filmed. The default value is *Transfer Patch Filmed*.

- Microimager 70     Microimager 70/AFM     Scanner 900  
 Scanner 923     Scanner/Microimager 990     Scanner 9500

1. Select *Film Transfer Patches*.

Mode Number: 10		Mode Name: MODE10	
Mode Configuration			
MODE 10	Mode Name	Ftswitch Pressed	Undef
3 Lvl	Index Format	Ftswitch Released	Undef
Supprs	IA Display Format	Ftswitch Cnf Tone	Off
4233	IA Field Widths	Patch Reader 1	Off
2112	Level Rules	Patch Reader 2	Off
None	Batching	Patch Definition	Lvl 2
Auto	AEC Mode	Bar Code	Off
Duplex	Film Mode	Confirmation Tone	N N N
?????	Reduction Ratio	OCR Status	Off
1 Roll	# of Cassettes	COIN User Channel	On
Comic	Film Writer	Printer Control	Disply
Off	Image Mgmt Code	Primary DP-1	Off
Off	Length Monitor	Secondary DP-1	Off
Off	Skew Monitor	Doc. Printer 12	Off
Xport	Check Stacker	Document Sorter	Off
Off	Endorser	Mode Overrides	No Sav
	Not Used	Film Definition	F
Save & End Session		Don't Save & End Session	
Previous Menu		End Configuration	

Patch Definition	
Transfer Patch Definition	
Film Transfer Patches	
Patch Recognition	
Previous Menu	

Transfer Patch	
Xfer Patch NOT Filmed	
Xfer Patch Filmed	
Previous Menu	

2. Select the desired option.

NOTE: This selection is not available on the scanners.

## Patch Recognition

This mode defines which patch codes will be recognized by the system. The default value is 2, 3, & T.

- Microimager 70   
  Microimager 70/AFM   
  Scanner 900  
 Scanner 923   
  Scanner/Microimager 990   
  Scanner 9500

1. Select *Patch Recognition*.

Mode Number: 10		Mode Name: MODE10	
Mode Configuration			
MODE 10	Mode Name	Ftswitch Pressed	Undef
3 Lvl	Index Format	Ftswitch Released	Undef
Supprs	IA Display Format	Ftswitch Cnf Tone	Off
4233	IA Field Widths	Patch Reader 1	Off
2112	Level Rules	Patch Reader 2	Off
None	Batching	Patch Definition	Lvl 2
Auto	AEC Mode	Bar Code	Off
Duplex	Film Mode	Confirmation Tone	N N N
????	Reduction Ratio	OCR Status	Off
1 Roll	# of Cassettes	COIN User Channel	On
Comic	Film Writer	Printer Control	Disply
Off	Image Mgmt Code	Primary DP-1	Off
Off	Length Monitor	Secondary DP-1	Off
Off	Skew Monitor	Doc. Printer 12	Off
Xport	Check Stacker	Document Sorter	Off
Off	Endorser	Mode Overrides	No Sav
	Not Used	Film Definition	F
Save & End Session		Don't Save & End Session	
Previous Menu		End Configuration	

Patch Definition	
Transfer Patch Definition	
Film Transfer Patches	
Patch Recognition	
Previous Menu	

Patch Recognition	
Type 2 Patches	
Type 3 Patches	
Transfer Patches	
Type 2 & Type 3 Patches	
Type 2 & Transfer Patches	
Type 3 & Transfer Patches	
Type 2, 3 & Xfer Patches	
Previous Menu	

2. Select the patch code type(s) to be processed by the system.

# Bar Code

NOTE: A Bar Code Reader must be installed.

- Microimager 70     Microimager 70/AFM     Scanner 900
- Scanner 923     Scanner/Microimager 990     Scanner 9500

1. Select *Bar Code*.

Mode Number: 10		Mode Name: MODE10		
Mode Configuration				
MODE 10	Mode Name	Ftswitch Pressed	Undef	<div style="text-align: center;">Bar Code Reader</div> Bar Code Reading Status Bar Code Type # of Bar Code Characters Bar Codes per Document Distance Between Codes Scan Direction Image Processing Partial Read Enabled Min. Partial Characters  DSA Patch Reading Status Patch Horizontal Location End Fed Patch Read Status Level Change via Bar Code  Previous Menu
3 Lvl	Index Format	Ftswitch Released	Undef	
Supprs	IA Display Format	Ftswitch Cnf Tone	Off	
4233	IA Field Widths	Patch Reader 1	Off	
2112	Level Rules	Patch Reader 2	Off	
None	Batching	Patch Definition	Lvl 2	
Auto	AEC Mode	Bar Code	Off	
Duplex	Film Mode	Confirmation Tone	N N N	
????	Reduction Ratio	OCR Status	Off	
1 Roll	# of Cassettes	COIN User Channel	On	
Comic	Film Writer	Printer Control	Disply	
Off	Image Mgmt Code	Primary DP-1	Off	
Off	Length Monitor	Secondary DP-1	Off	
Off	Skew Monitor	Doc. Printer 12	Off	
Xport	Check Stacker	Document Sorter	Off	
Off	Endorser	Mode Overrides	No Sav	
	Not Used	Film Definition	F	
Save & End Session		Don't Save & End Session		
Previous Menu		End Configuration		

## Bar Code Reading Status

Enables or disables bar code reading. The default value is *Off or Disabled*.

- Microimager 70   
  Microimager 70/AFM   
  Scanner 900  
 Scanner 923   
  Scanner/Microimager 990   
  Scanner 9500

1. Select *Bar Code Reading Status*.

Mode Number: 10		Mode Name: MODE10			
Mode Configuration:				Bar Code Reader	
MODE 10	Mode Name	Ftswitch Pressed	Undef	Bar Code Reading Status	
3 Lvl	Index Format	Ftswitch Released	Undef	Bar Code Type	
Supprs	IA Display Format	Ftswitch Cnf Tone	Off	# of Bar Code Characters	
4233	IA Field Widths	Patch Reader 1	Off	Bar Codes per Document	
2112	Level Rules	Patch Reader 2	Off	Distance Between Codes	
None	Batching	Patch Definition	Lvl 2	Scan Direction	
Auto	AEC Mode	Bar Code	Off	Image Processing	
Duplex	Film Mode	Confirmation Tone	N N N	Partial Read Enabled	
?????	Reduction Ratio	OCR Status	Off	Min. Partial Characters	
1 Roll	# of Cassettes	COIN User Channel	On	DSA Patch Reading Status	
Comic	Film Writer	Printer Control	Disply	Patch Horizontal Location	
Off	Image Mgmt Code	Primary DP-1	Off	End Fed Patch Read Status	
Off	Length Monitor	Secondary DP-1	Off	Level Change via Bar Code	
Off	Skew Monitor	Doc. Printer 12	Off	Previous Menu	
Xport	Check Stacker	Document Sorter	Off		
Off	Endorser	Mode Overrides	No Sav	Bar Code Status	
	Not Used	Film Definition	F	Off or Disabled	
				On or Enabled	
				Previous Menu	
Save & End Session		Don't Save & End Session			
Previous Menu		End Configuration			

2. Select the desired status.

NOTE: If *Off or Disabled* is selected, definitions for the remaining bar code options will be ignored.

## Bar Code Type

Identifies the type of bar code which is to be read. The default value is *Code 39*.

- Microimager 70     Microimager 70/AFM     Scanner 900  
 Scanner 923     Scanner/Microimager 990     Scanner 9500

### 1. Select *Bar Code Type*.

Mode Number: 10		Mode Name: MODE10			
Mode Configuration 1				Bar Code Reader	
MODE 10	Mode Name	Ftswitch Pressed	Undef	Bar Code Reading Status	
3 Lvl	Index Format	Ftswitch Released	Undef	Bar Code Type	
Supprs	IA Display Format	Ftswitch Cnf Tone	Off	# of Bar Code Characters	
4233	IA Field Widths	Patch Reader 1	Off	Bar Codes per Document	
2112	Level Rules	Patch Reader 2	Off	Distance Between Codes	
None	Batching	Patch Definition	Lvl 2	Scan Direction	
Auto	AEC Mode	Bar Code	Off	Image Processing	
Duplex	Film Mode	Confirmation Tone	N N N	Partial Read Enabled	
?????	Reduction Ratio	OCR Status	Off	Min. Partial Characters	
1 Roll	# of Cassettes	COIN User Channel	On	DSA Patch Reading Status	
Comic	Film Writer	Printer Control	Disply	Patch Horizontal Location	
Off	Image Mgmt Code	Primary DP-1	Off	End Fed Patch Read Status	
Off	Length Monitor	Secondary DP-1	Off	Level Change via Bar Code	
Off	Skew Monitor	Doc. Printer 12	Off		
Xport	Check Stacker	Document Sorter	Off	Previous Menu	
Off	Endorser	Mode Overrides	No Sav		
	Not Used	Film Definition	F		
Save & End Session		Don't Save & End Session		Bar Code Type	
Previous Menu		End Configuration		Code 39	
				Interleaved 2/5	
				Codabar	
				Previous Menu	

### 2. Select the desired bar code type.

NOTE: Only one type of bar code may be read using a given mode. However, different modes may be defined as reading different types of bar code.



## Number of Bar Code Characters

This mode defines the minimum bar code length allowed (in terms of the number of characters encoded). The default value is 3.

- Microimager 70     Microimager 70/AFM     Scanner 900  
 Scanner 923     Scanner/Microimager 990     Scanner 9500

1. Select # of Bar Code Characters.

Mode Number: 10		Mode Name: MODE10		Bar Code Reader	
Mode Configuration 1				Bar Code Reading Status	
MODE 10	Mode Name	Ftswitch Pressed	Undef	Bar Code Type	
3 Lvl	Index Format	Ftswitch Released	Undef	# of Bar Code Characters	
Supprs	IA Display Format	Ftswitch Cnf Tone	Off	Bar Codes per Document	
4233	IA Field Widths	Patch Reader 1	Off	Distance Between Codes	
2112	Level Rules	Patch Reader 2	Off	Scan Direction	
None	Batching	Patch Definition	Lvl 2	Image Processing	
Auto	AEC Mode	Bar Code	Off	Partial Read Enabled	
Duplex	Film Mode	Confirmation Tone	N N N	Min. Partial Characters	
?????	Reduction Ratio	OCR Status	Off	DSA Patch Reading Status	
1 Roll	# of Cassettes	COIN User Channel	On	Patch Horizontal Location	
Comic	Film Writer	Printer Control	Disply	End Fed Patch Read Status	
Off	Image Mgmt Code	Primary DP-1	Off	Level Change via Bar Code	
Off	Length Monitor	Secondary DP-1	Off	Previous Menu	
Off	Skew Monitor	Doc. Printer 12	Off	Enter Minimum Length	
Xport	Check Stacker	Document Sorter	Off	Range: 03 - 80 Characters	
Off	Endorser	Mode Overrides	No Sav	<input type="text" value="03"/>	
	Not Used	Film Definition	F		
Save & End Session		Don't Save & End Session			
Previous Menu		End Configuration			

2. Select the desired minimum length within the range 3 - 80.

## Bar Codes per Document

This mode defines the number of bar codes per document to be decoded. The default value is *One Code*.

- Microimager 70     Microimager 70/AFM     Scanner 900  
 Scanner 923     Scanner/Microimager 990     Scanner 9500

1. Select *Bar Codes per Document*.

Mode Number: 10		Mode Name: MODE10	
Mode Configuration:			
MODE 10	Mode Name	Ftswitch Pressed	Undef
3 Lvl	Index Format	Ftswitch Released	Undef
Supprs	IA Display Format	Ftswitch Cnf Tone	Off
4233	IA Field Widths	Patch Reader 1	Off
2112	Level Rules	Patch Reader 2	Off
None	Batching	Patch Definition	Lvl 2
Auto	AEC Mode	Bar Code	Off
Duplex	Film Mode	Confirmation Tone	N N N
?????	Reduction Ratio	OCR Status	Off
1 Roll	# of Cassettes	COIN User Channel	On
Comic	Film Writer	Printer Control	Disply
Off	Image Mgmt Code	Primary DP-1	Off
Off	Length Monitor	Secondary DP-1	Off
Off	Skew Monitor	Doc. Printer 12	Off
Xport	Check Stacker	Document Sorter	Off
Off	Endorser	Mode Overrides	No Sav
	Not Used	Film Definition	F
Save & End Session		Don't Save & End Session	
Previous Menu		End Configuration	
Bar Code Reader			
Bar Code Reading Status			
Bar Code Type			
# of Bar Code Characters			
Bar Codes per Document			
Distance Between Codes			
Scan Direction			
Image Processing			
Partial Read Enabled			
Min. Partial Characters			
DSA Patch Reading Status			
Patch Horizontal Location			
End Fed Patch Read Status			
Level Change via Bar Code			
Previous Menu			
Document Codes			
One Code			
All Codes			
Previous Menu			

2. Select the desired number of codes to be decoded.

## Distance Between Codes

This mode defines the minimum bar code height allowed. The height of the tallest bar code determines the distance between codes. The default value is *1.000 inch/25.400 mm*.

- Microimager 70   
  Microimager 70/AFM   
  Scanner 900  
 Scanner 923   
  Scanner/Microimager 990   
  Scanner 9500

1. Select *Distance Between Codes*.

Mode Number: 10		Mode Name: MODE10	
Mode Configuration			
MODE 10	Mode Name	Ftswitch Pressed	Undef
3 Lvl	Index Format	Ftswitch Released	Undef
Supprs	IA Display Format	Ftswitch Cnf Tone	Off
4233	IA Field Widths	Patch Reader 1	Off
2112	Level Rules	Patch Reader 2	Off
None	Batching	Patch Definition	Lvl 2
Auto	AEC Mode	Bar Code	Off
Duplex	Film Mode	Confirmation Tone	N N N
?????	Reduction Ratio	OCR Status	Off
1 Roll	# of Cassettes	COIN User Channel	On
Comic	Film Writer	Printer Control	Disply
Off	Image Mgmt Code	Primary DP-1	Off
Off	Length Monitor	Secondary DP-1	Off
Off	Skew Monitor	Doc. Printer 12	Off
Xport	Check Stacker	Document Sorter	Off
Off	Endorser	Mode Overrides	No Sav
	Not Used	Film Definition	F
Save & End Session		Don't Save & End Session	
Previous Menu		End Configuration	

\*\*\* NOTE \*\*\*  
Distance between bar codes must be greater than height of largest bar code.

\*\*\* HINT \*\*\*  
Always add one "click" to height of largest code.

Distance Between Codes

1.000  
25.400 mm Default

Press ENTER to return to Previous Menu.

2. Select the desired bar code height/distance between codes within the range 0.375 inch to 3 inches or 9.53 mm to 76.20 mm by pressing the left/right arrow key(s) to decrement/increment the default value by 0.125 inch or 3.18 mm at a time.

## Scan Direction

This mode defines whether the bar codes may be read in only one direction (from left to right) or in either direction (from left to right or from right to left). The default value is *Unidirectional* (from left to right only).

- Microimager 70     Microimager 70/AFM     Scanner 900  
 Scanner 923     Scanner/Microimager 990     Scanner 9500

### 1. Select *Scan Direction*.

Mode Number: 10		Mode Name: MODE10	
Mode Configuration:			
MODE 10	Mode Name	Ftswitch Pressed	Undef
3 Lvl	Index Format	Ftswitch Released	Undef
Supprs	IA Display Format	Ftswitch Cnf Tone	Off
4233	IA Field Widths	Patch Reader 1	Off
2112	Level Rules	Patch Reader 2	Off
None	Batching	Patch Definition	Lvl 2
Auto	AEC Mode	Bar Code	Off
Duplex	Film Mode	Confirmation Tone	N N N
?????	Reduction Ratio	OCR Status	Off
1 Roll	# of Cassettes	COIN User Channel	On
Comic	Film Writer	Printer Control	Disply
Off	Image Mgmt Code	Primary DP-1	Off
Off	Length Monitor	Secondary DP-1	Off
Off	Skew Monitor	Doc. Printer 12	Off
Xport	Check Stacker	Document Sorter	Off
Off	Endorser	Mode Overrides	No Sav
	Not Used	Film Definition	F
Save & End Session		Don't Save & End Session	
Previous Menu		End Configuration	
Bar Code Reader			
Bar Code Reading Status			
Bar Code Type			
# of Bar Code Characters			
Bar Codes per Document			
Distance Between Codes			
Scan Direction			
Image Processing			
Partial Read Enabled			
Min. Partial Characters			
DSA Patch Reading Status			
Patch Horizontal Location			
End Fed Patch Read Status			
Level Change via Bar Code			
Previous Menu			
Scan Direction			
Uni-directional			
Bi-directional			
Previous Menu			

### 2. Select the desired scan direction.

## Image Processing

Enables or disables image processing; indicates whether or not image processing is required to enhance the overall quality of the bar codes used. The default value is *Off or Disabled*.

Microimager 70   
  Microimager 70/AFM   
  Scanner 900  
 Scanner 923   
  Scanner/Microimager 990   
  Scanner 9500

### 1. Select *Image Processing*.

Mode Number: 10		Mode Name: MODE10		
Mode Configuration				Bar Code Reader
MODE 10	Mode Name	Ftswitch Pressed	Undef	Bar Code Reading Status
3 Lvl	Index Format	Ftswitch Released	Undef	Bar Code Type
Supprs	IA Display Format	Ftswitch Cnf Tone	Off	# of Bar Code Characters
4233	IA Field Widths	Patch Reader 1	Off	Bar Codes per Document
2112	Level Rules	Patch Reader 2	Off	Distance Between Codes
None	Batching	Patch Definition	Lvl 2	Scan Direction
Auto	AEC Mode	Bar Code	Off	Image Processing
Duplex	Film Mode	Confirmation Tone	N N N	Partial Read Enabled
?????	Reduction Ratio	OCR Status	Off	Min. Partial Characters
1 Roll	# of Cassettes	COIN User Channel	On	DSA Patch Reading Status
Comic	Film Writer	Printer Control	Disply	Patch Horizontal Location
Off	Image Mgmt Code	Primary DP-1	Off	End Fed Patch Read Status
Off	Length Monitor	Secondary DP-1	Off	Level Change via Bar Code
Off	Skew Monitor	Doc. Printer 12	Off	Previous Menu
Xport	Check Stacker	Document Sorter	Off	
Off	Endorser	Mode Overrides	No Sav	Image Process
	Not Used	Film Definition	F	Off or Disabled
				On or Enabled
				Previous Menu
Save & End Session		Don't Save & End Session		
Previous Menu		End Configuration		

### 2. Select the desired image processing status.

## Partial Read Enabled

Enables or disables partial bar code reading. The default value is *Off or Disabled*.

Microimager 70   
  Microimager 70/AFM   
  Scanner 900  
 Scanner 923   
  Scanner/Microimager 990   
  Scanner 9500

1. Select *Partial Read Enabled*.

Mode Number: 10		Mode Name: MODE10	
Mode Configuration			
MODE 10	Mode Name	Ftswitch Pressed	Undef
3 Lvl	Index Format	Ftswitch Released	Undef
Supprs	IA Display Format	Ftswitch Cnf Tone	Off
4233	IA Field Widths	Patch Reader 1	Off
2112	Level Rules	Patch Reader 2	Off
None	Batching	Patch Definition	Lvl 2
Auto	AEC Mode	Bar Code	Off
Duplex	Film Mode	Confirmation Tone	N N N
?????	Reduction Ratio	OCR Status	Off
1 Roll	# of Cassettes	COIN User Channel	On
Comic	Film Writer	Printer Control	Disply
Off	Image Mgmt Code	Primary DP-1	Off
Off	Length Monitor	Secondary DP-1	Off
Off	Skew Monitor	Doc. Printer 12	Off
Xport	Check Stacker	Document Sorter	Off
Off	Endorser	Mode Overrides	No Sav
	Not Used	Film Definition	F
Save & End Session		Don't Save & End Session	
Previous Menu		End Configuration	

Bar Code Reader	
Bar Code Reading Status	
Bar Code Type	
# of Bar Code Characters	
Bar Codes per Document	
Distance Between Codes	
Scan Direction	
Image Processing	
Partial Read Enabled	
Min. Partial Characters	
DSA Patch Reading Status	
Patch Horizontal Location	
End Fed Patch Read Status	
Level Change via Bar Code	
Previous Menu	

BC Partial Read	
Off or Disabled	
On or Enabled	
Previous Menu	

2. Select the desired status.

## Minimum Partial Characters

NOTE: Partial Reading must be enabled or this definition will be ignored.

This mode defines the minimum number of characters which must be properly decoded to constitute a partial read. The default value is 5-80.

Microimager 70   
  Microimager 70/AFM   
  Scanner 900  
 Scanner 923   
  Scanner/Microimager 990   
  Scanner 9500

1. Select *Min. Partial Characters*.

Mode Number: 10		Mode Name: MODE10	
Mode Configuration			
MODE 10	Mode Name	Ftswitch Pressed	Undef
3 Lvl	Index Format	Ftswitch Released	Undef
Supprs	IA Display Format	Ftswitch Cnf Tone	Off
4233	IA Field Widths	Patch Reader 1	Off
2112	Level Rules	Patch Reader 2	Off
None	Batching	Patch Definition	Lvl 2
Auto	AEC Mode	Bar Code	Off
Duplex	Film Mode	Confirmation Tone	N N N
????	Reduction Ratio	OCR Status	Off
1 Roll	# of Cassettes	COIN User Channel	On
Comic	Film Writer	Printer Control	Disply
Off	Image Mgmt Code	Primary DP-1	Off
Off	Length Monitor	Secondary DP-1	Off
Off	Skew Monitor	Doc. Printer 12	Off
Xport	Check Stacker	Document Sorter	Off
Off	Endorser	Mode Overrides	No Sav
	Not Used	Film Definition	F
Save & End Session		Don't Save & End Session	
Previous Menu		End Configuration	

Bar Code Reader	
Bar Code Reading Status	
Bar Code Type	
# of Bar Code Characters	
Bar Codes per Document	
Distance Between Codes	
Scan Direction	
Image Processing	
Partial Read Enabled	
Min. Partial Characters	
DSA Patch Reading Status	
Patch Horizontal Location	
End Fed Patch Read Status	
Level Change via Bar Code	
Previous Menu	

Enter Minumum Length Range: 05 - 80 Characters
05

2. Select the desired number of characters.

## DSA Patch Reading Status

Enables or disables patch reading using the Document Scanning Array.  
The default value is *Off or Disabled*.

- Microimager 70     Microimager 70/AFM     Scanner 900  
 Scanner 923     Scanner/Microimager 990     Scanner 9500

### 1. Select *DSA Patch Reading Status*.

Mode Number: 10		Mode Name: MODE10		Bar Code Reader	
Mode Configuration:				Bar Code Reading Status	
MODE 10	Mode Name	Ftswitch Pressed	Undef	Bar Code Type	
3 Lvl	Index Format	Ftswitch Released	Undef	# of Bar Code Characters	
Supprs	IA Display Format	Ftswitch Cnf Tone	Off	Bar Codes per Document	
4233	IA Field Widths	Patch Reader 1	Off	Distance Between Codes	
2112	Level Rules	Patch Reader 2	Off	Scan Direction	
None	Batching	Patch Definition	Lvl 2	Image Processing	
Auto	AEC Mode	Bar Code	Off	Partial Read Enabled	
Duplex	Film Mode	Confirmation Tone	N N N	Min. Partial Characters	
?????	Reduction Ratio	OCR Status	Off	DSA Patch Reading Status	
1 Roll	# of Cassettes	COIN User Channel	On	Patch Horizontal Location	
Comic	Film Writer	Printer Control	Disply	End Fed Patch Read Status	
Off	Image Mgmt Code	Primary DP-1	Off	Level Change via Bar Code	
Off	Length Monitor	Secondary DP-1	Off	Previous Menu	
Off	Skew Monitor	Doc. Printer 12	Off	BC Partial Read	
Xport	Check Stacker	Document Sorter	Off	Off or Disabled	
Off	Endorser	Mode Overrides	No Sav	On or Enabled	
	Not Used	Film Definition	F	Previous Menu	
Save & End Session		Don't Save & End Session			
Previous Menu		End Configuration			

### 2. Select the desired status.

**NOTE:** If patch reading is enabled using the DSA, make certain to complete the Patch Definition items.

Patches must be at least 2 inches in length.



## Patch Horizontal Location

This mode defines the position of patches on the document(s) in terms of the distance from the left side of the transport. The default value is *5.12 inches/130.048 mm*.

- Microimager 70     Microimager 70/AFM     Scanner 900  
 Scanner 923     Scanner/Microimager 990     Scanner 9500

1. Select *Patch Horizontal Location*.

Mode Number: 10		Mode Name: MODE10		Bar Code Reader	
Mode Configuration:				Bar Code Reading Status	
MODE 10	Mode Name	Ftswitch Pressed	Undef	Bar Code Type	
3 Lvl	Index Format	Ftswitch Released	Undef	# of Bar Code Characters	
Supprs	IA Display Format	Ftswitch Cnf Tone	Off	Bar Codes per Document	
4233	IA Field Widths	Patch Reader 1	Off	Distance Between Codes	
2112	Level Rules	Patch Reader 2	Off	Scan Direction	
None	Batching	Patch Definition	Lvl 2	Image Processing	
Auto	AEC Mode	Bar Code	Off	Partial Read Enabled	
Duplex	Film Mode	Confirmation Tone	N N N		
?????	Reduction Ratio	OCR Status	Off		
1 Roll	# of Cassettes	COIN User Channel	On		
Comic	Film Writer	Printer Control	Disply		
Off	Image Mgmt Code	Primary DP-1	Off		
Off	Length Monitor	Secondary DP-1	Off		
Off	Skew Monitor	Doc. Printer 12	Off		
Xport	Check Stacker	Document Sorter	Off		
Off	Endorser	Mode Overrides	No Sav		
	Not Used	Film Definition	F		
Save & End Session		Don't Save & End Session		Bar Code Patch Position	
Previous Menu		End Configuration		5.120	
				130.048 mm Default	
				Press ENTER to return to Previous Menu.	

2. Select the desired location within the range 1.92 to 9.6 inches or 48.75 mm to 243.84 mm by pressing the left/right arrow key(s) to decrement/increment the default value by 0.64 inch or 16.25 mm at a time.

## End Fed Patch Reading Status

Enables or disables end fed patch reading using the Document Scanning Array. The default value is *Off or Disabled*.

Microimager 70     Microimager 70/AFM     Scanner 900  
 Scanner 923     Scanner/Microimager 990     Scanner 9500

### 1. Select *End Fed Patch Read Status*.

Mode Number: 10		Mode Name: MODE10					
Mode Configuration							
MODE 10	Mode Name	Ftswitch Pressed	Undef	<div style="border: 1px solid black; padding: 5px;">           Bar Code Reader            Bar Code Reading Status            Bar Code Type            # of Bar Code Characters            Bar Codes per Document            Distance Between Codes            Scan Direction            Image Processing            Partial Read Enabled            Min. Partial Characters            DSA Patch Reading Status            Patch Horizontal Location            End Fed Patch Read Status            Level Change via Bar Code            Previous Menu         </div>			
3 Lvl	Index Format	Ftswitch Released	Undef				
Supprs	IA Display Format	Ftswitch Cnf Tone	Off				
4233	IA Field Widths	Patch Reader 1	Off				
2112	Level Rules	Patch Reader 2	Off				
None	Batching	Patch Definition	Lvl 2				
Auto	AEC Mode	Bar Code	Off				
Duplex	Film Mode	Confirmation Tone	N N N				
????	Reduction Ratio	OCR Status	Off				
1 Roll	# of Cassettes	COIN User Channel	On				
Comic	Film Writer	Printer Control	Disply				
Off	Image Mgmt Code	Primary DP-1	Off				
Off	Length Monitor	Secondary DP-1	Off				
Off	Skew Monitor	Doc. Printer 12	Off				
Xport	Check Stacker	Document Sorter	Off				
Off	Endorser	Mode Overrides	No Sav				
	Not Used	Film Definition	F				
Save & End Session		Don't Save & End Session				<div style="border: 1px solid black; padding: 5px;">           End Fed Patch            Off or Disabled            On or Enabled            Previous Menu         </div>	
Previous Menu		End Configuration					

### 2. Select the desired status.

**NOTE:** If patch reading is enabled using the DSA, make certain to complete the Patch Definition items. Also, end fed patches must be located within 3.75 inches or 95.3 mm of the leading edge of the document(s).

## Level Change via Bar Code

Enables level changes based upon detection of a bar code. The default value is *Undefined*.

- Microimager 70     Microimager 70/AFM     Scanner 900  
 Scanner 923     Scanner/Microimager 990     Scanner 9500

### 1. Select *Level Change via Bar Code*.

Mode Number: 10		Mode Name: MODE10	
Mode Configuration			
MODE 10	Mode Name	Ftswitch Pressed	Undef
3 Lvl	Index Format	Ftswitch Released	Undef
Supprs	IA Display Format	Ftswitch Cnf Tone	Off
4233	IA Field Widths	Patch Reader 1	Off
2112	Level Rules	Patch Reader 2	Off
None	Batching	Patch Definition	Lvl 2
Auto	AEC Mode	Bar Code	Off
Duplex	Film Mode	Confirmation Tone	N N N
?????	Reduction Ratio	OCR Status	Off
1 Roll	# of Cassettes	COIN User Channel	On
Comic	Film Writer	Printer Control	Disply
Off	Image Mgmt Code	Primary DP-1	Off
Off	Length Monitor	Secondary DP-1	Off
Off	Skew Monitor	Doc. Printer 12	Off
Xport	Check Stacker	Document Sorter	Off
Off	Endorser	Mode Overrides	No Sav
	Not Used	Film Definition	F
Save & End Session		Don't Save & End Session	
Previous Menu		End Configuration	

Bar Code Reader	
Bar Code Reading Status	
Bar Code Type	
# of Bar Code Characters	
Bar Codes per Document	
Distance Between Codes	
Scan Direction	
Image Processing	
Partial Read Enabled	
Min. Partial Characters	
DSA Patch Reading Status	
Patch Horizontal Location	
End Fed Patch Read Status	
Level Change via Bar Code	
Previous Menu	

Patch Level	
Level 0	
Level 1	
Level 2	
Level 3	
Undefined	
Previous Menu	

### 2. Select the desired level to be assigned when a bar code is detected.

**NOTE:** It is recommended that patch codes, rather than bar codes, be used to perform document level changes. Using patch codes to alter document image levels is much more reliable and accurate than the use of bar codes to alter document image levels. The lower reliability level which may be experienced using bar codes to alter document image levels may have serious ramifications, depending upon the application. It is suggested that you contact Marketing Support in Rochester if you wish to implement this feature.

## Confirmation Tones

NOTE: The tones must have been enabled during machine configuration; otherwise, these definitions will be ignored.

Microimager 70     Microimager 70/AFM     Scanner 900  
 Scanner 923     Scanner/Microimager 990     Scanner 9500

### 1. Select *Confirmation Tone*.

Mode Number: 10		Mode Name: MODE10		Confirmation Tone	
Mode Configuration				Patch Detected Tone	
MODE 10	Mode Name	Ftswitch Pressed	Undef	Bar Detected Tone	
3 Lvl	Index Format	Ftswitch Released	Undef	Bar Code/Patch Tone	
Supprs	IA Display Format	Ftswitch Cnf Tone	Off	Previous Menu	
4233	IA Field Widths	Patch Reader 1	Off		
2112	Level Rules	Patch Reader 2	Off		
None	Batching	Patch Definition	Lvl 2		
Auto	AEC Mode	Bar Code	Off		
Duplex	Film Mode	Confirmation Tone	N N N		
????	Reduction Ratio	OCR Status	Off		
1 Roll	# of Cassettes	COIN User Channel	On		
Comic	Film Writer	Printer Control	Disply		
Off	Image Mgmt Code	Primary DP-1	Off		
Off	Length Monitor	Secondary DP-1	Off		
Off	Skew Monitor	Doc. Printer 12	Off		
Xport	Check Stacker	Document Sorter	Off		
Off	Endorser	Mode Overrides	No Sav		
	Not Used	Film Definition	F		
Save & End Session		Don't Save & End Session			
Previous Menu		End Configuration			

## Patch Detected Tone

NOTE: Patch reading must be enabled. In addition, the confirmation tones must have been enabled during machine definitions; otherwise, this definition will be ignored.

This mode enables or disables a confirmation tone issued when a patch document is detected. The default value is *Off or Disabled*.

Microimager 70     Microimager 70/AFM     Scanner 900  
 Scanner 923     Scanner/Microimager 990     Scanner 9500

1. Select *Patch Detected Tone*.

Mode Number: 10		Mode Name: MODE10		Confirmation Tone	
Mode Configuration					
MODE 10	Mode Name	Ftswitch Pressed	Undef	<input type="checkbox"/>	Patch Detected Tone
3 Lvl	Index Format	Ftswitch Released	Undef	<input type="checkbox"/>	Bar Detected Tone
Supprs	IA Display Format	Ftswitch Cnf Tone	Off	<input type="checkbox"/>	Bar Code/Patch Tone
4233	IA Field Widths	Patch Reader 1	Off	<input type="checkbox"/>	Previous Menu
2112	Level Rules	Patch Reader 2	Off		
None	Batching	Patch Definition	Lvl 2		
Auto	AEC Mode	Bar Code	Off		
Duplex	Film Mode	Confirmation Tone	N N N		
????	Reduction Ratio	OCR Status	Off		
1 Roll	# of Cassettes	COIN User Channel	On		
Comic	Film Writer	Printer Control	Disply		
Off	Image Mgmt Code	Primary DP-1	Off		
Off	Length Monitor	Secondary DP-1	Off		
Off	Skew Monitor	Doc. Printer 12	Off		
Xport	Check Stacker	Document Sorter	Off		
Off	Endorser	Mode Overrides	No Sav		
	Not Used	Film Definition	F		
Save & End Session		Don't Save & End Session		<input type="checkbox"/> Patch Tone	
Previous Menu		End Configuration		Off or Disabled	
				On or Enabled	
				Previous Menu	

2. Select the desired status.

NOTE: If the Patch Detected Tone is enabled, the Bar Code/Patch Tone cannot be enabled. However, the Bar Detected Tone may be enabled.

# Bar Detected Tone

NOTE: Bar Code reading must be enabled. In addition, during machine definitions the confirmation tones must have been enabled; otherwise, this definition will be ignored.

Enables or disables a confirmation tone issued when a bar code document is detected. The default value is *Off or Disabled*.

- Microimager 70     Microimager 70/AFM     Scanner 900
- Scanner 923     Scanner/Microimager 990     Scanner 9500

1. Select *Bar Detected Tone*.

Mode Number: 10		Mode Name: MODE10			
Mode Configuration 1:				Confirmation Tone	
MODE 10	Mode Name	Ftswitch Pressed	Undef	<input type="checkbox"/> Patch Detected Tone <input type="checkbox"/> Bar Detected Tone <input type="checkbox"/> Bar Code/Patch Tone <input type="button" value="Previous Menu"/>	
3 Lvl	Index Format	Ftswitch Released	Undef		
Supprs	IA Display Format	Ftswitch Cnf Tone	Off		
4233	IA Field Widths	Patch Reader 1	Off		
2112	Level Rules	Patch Reader 2	Off		
None	Batching	Patch Definition	Lvl 2		
Auto	AEC Mode	Bar Code	Off		
Duplex	Film Mode	Confirmation Tone	N N N		
?????	Reduction Ratio	OCR Status	Off		
1 Roll	# of Cassettes	COIN User Channel	On		
Comic	Film Writer	Printer Control	Disply		
Off	Image Mgmt Code	Primary DP-1	Off		
Off	Length Monitor	Secondary DP-1	Off		
Off	Skew Monitor	Doc. Printer 12	Off		
Xport	Check Stacker	Document Sorter	Off		
Off	Endorser	Mode Overrides	No Sav		
	Not Used	Film Definition	F		
Save & End Session		Don't Save & End Session			
Previous Menu		End Configuration			

2. Select the desired status.

NOTE: If the Bar Detected Tone is enabled, the Bar Code/Patch Tone cannot be enabled. However, the Patch Detected Tone may be enabled.

## Bar Code/Patch Tone

NOTE: Patch reading and Bar Code reading must be enabled. In addition, the confirmation tones must have been enabled during machine definitions; otherwise, this definition will be ignored.

Enables or disables a confirmation tone issued when a bar code and a patch are both recognized. The default value is *Off or Disabled*.

Microimager 70     Microimager 70/AFM     Scanner 900  
 Scanner 923     Scanner/Microimager 990     Scanner 9500

1. Select *Bar Code/Patch Tone*.

Mode Number: 10		Mode Name: MODE10	
Mode Configuration			
MODE 10	Mode Name	Ftswitch Pressed	Undef
3 Lvl	Index Format	Ftswitch Released	Undef
Supprs	IA Display Format	Ftswitch Cnf Tone	Off
4233	IA Field Widths	Patch Reader 1	Off
2112	Level Rules	Patch Reader 2	Off
None	Batching	Patch Definition	Lvl 2
Auto	AEC Mode	Bar Code	Off
Duplex	Film Mode	Confirmation Tone	N N N
????	Reduction Ratio	OCR Status	Off
1 Roll	# of Cassettes	COIN User Channel	On
Comic	Film Writer	Printer Control	Disply
Off	Image Mgmt Code	Primary DP-1	Off
Off	Length Monitor	Secondary DP-1	Off
Off	Skew Monitor	Doc. Printer 12	Off
Xport	Check Stacker	Document Sorter	Off
Off	Endorser	Mode Overrides	No Sav
	Not Used	Film Definition	F
Save & End Session		Don't Save & End Session	
Previous Menu		End Configuration	

Confirmation Tone

Patch Detected Tone

Bar Detected Tone

Bar Code/Patch Tone

Previous Menu

BC/Patch Tone

Off or Disabled

On or Enabled

Previous Menu

2. Select the desired status.

NOTE: If either the Patch Detected Tone or Bar Detected Tone is enabled, the Bar Code/Patch Tone cannot be enabled.

## OCR Status

NOTE: The OCR accessory must be installed.

Enables or disables Optical Character Recognition. The default value is *Off or Disabled*.

Microimager 70     Microimager 70/AFM     Scanner 900  
 Scanner 923     Scanner/Microimager 990     Scanner 9500

1. Select *OCR Status*.

Mode Number: 10		Mode Name: MODE10	
Mode Configuration:			
MODE 10	Mode Name	Ftswitch Pressed	Undef
3 Lvl	Index Format	Ftswitch Released	Undef
Supprs	IA Display Format	Ftswitch Cnf Tone	Off
4233	IA Field Widths	Patch Reader 1	Off
2112	Level Rules	Patch Reader 2	Off
None	Batching	Patch Definition	Lvl 2
Auto	AEC Mode	Bar Code	Off
Duplex	Film Mode	Confirmation Tone	N N N
?????	Reduction Ratio	<b>OCR Status</b>	Off
1 Roll	# of Cassettes	COIN User Channel	On
Comic	Film Writer	Printer Control	Disply
Off	Image Mgmt Code	Primary DP-1	Off
Off	Length Monitor	Secondary DP-1	Off
Off	Skew Monitor	Doc. Printer 12	Off
Xport	Check Stacker	Document Sorter	Off
Off	Endorser	Mode Overrides	No Sav
	Not Used	Film Definition	F
Save & End Session		Don't Save & End Session	
Previous Menu		End Configuration	

OCR Status

Off or Disabled  
On or Enabled

Previous Menu

2. Select the desired status.



## COIN User Channel

NOTE: If the machine definition User COIN Port Protocol was disabled, these definitions will be ignored.

Enables or disables the COIN2 user channel.

If a standard form of output was chosen during machine definition (Bar Code/KDIS Protocol or OCR Data Protocol), this definition should be set to Enabled which will produce default/standard data output via the COIN2 port.

If a user-defined form of output was chosen during machine definition (User-Defined KDIS Format or User-Defined Protocol), select *Define All Levels* or select a particular level. The default value is *Disabled*.

- Microimager 70     Microimager 70/AFM     Scanner 900  
 Scanner 923     Scanner/Microimager 990     Scanner 9500

1. Select *COIN User Channel*.

Mode Number: 10		Mode Name: MODE10	
Mode Configuration			
MODE 10	Mode Name	Fbwitch Proceed	Under
3 Lvl	Index Format	Fbwitch Released	Under
Suppre	IA Display Format	Fbwitch Cnt Tone	Off
4233	IA Field Widths	Patch Reader 1	Off
2112	Level Rules	Patch Reader 2	Off
None	Batching	Patch Definition	Lvl 2
Auto	AEC Mode	Bar Code	Off
Duplex	Film Mode	Confirmation Tone	N N N
?????	Reduction Ratio	OCR Status	Off
1 Roll	# of Cassette	COIN User Channel	On
Comic	Film Writer	Printer Control	Depty
Off	Image Mqnt Code	Primary DP-1	Off
Off	Length Monitor	Secondary DP-1	Off
Off	Skew Monitor	Doc. Printer 12	Off
Xport	Check Steady	Document Sorter	Off
Off	Endorser	Mode Override	No Sav
	Not Used	Film Definition	F
Save & End Session		Don't Save & End Session	
Previous Menu		End Configuration	

User COIN Port Status

Disabled

Enabled (Use default)

Define All Levels

Define Level 0

Define Level 1

Define Level 2

Define Level 3

Previous Menu

2. Select the desired status.

## Transmit Data

This mode defines the data output via the COIN2 port when a user-defined protocol (User-Defined KDIS Format or User-Defined Protocol) is chosen during machine definition. The default values are FF/IA for all levels.

Microimager 70     Microimager 70/AFM     Scanner 900  
 Scanner 923     Scanner/Microimager 990     Scanner 9500

If the same information is to be transmitted for documents of all levels:

1. Select Define All Levels.

Current Transmit Sequence

<FF/IA>

New Transmit Sequence

Transmit Items

- Full Image Address
- Indexed Field(s) Only
- Current Field Value
- Current Day
- Current Date
- Current Time
- Document Counter
- Roll Number
- Attachment Count
- Bar Code Data
- Nothing
- Previous Menu

When using a Microimager 70 with the Advanced Function Module installed, Scanner 900, Scanner 923, Scanner 9500, or Scanner/Microimager 990, all of the transmit items are available for selection, with a maximum of seven (7) items.

2. Select the item(s) to be transmitted.

If different information is to be transmitted for documents of different levels:

1. Select *Define Level #* for the desired level.

Current Transmit Sequence	<table border="1"><tr><td>Transmit Items</td></tr><tr><td>Full Image Address</td></tr><tr><td>Indexed Field(s) Only</td></tr><tr><td>Current Field Value</td></tr><tr><td>Current Day</td></tr><tr><td>Current Date</td></tr><tr><td>Current Time</td></tr><tr><td>Document Counter</td></tr><tr><td>Roll Number</td></tr><tr><td>Attachment Count</td></tr><tr><td>Bar Code Data</td></tr><tr><td>Nothing</td></tr><tr><td>Previous Menu</td></tr></table>	Transmit Items	Full Image Address	Indexed Field(s) Only	Current Field Value	Current Day	Current Date	Current Time	Document Counter	Roll Number	Attachment Count	Bar Code Data	Nothing	Previous Menu
Transmit Items														
Full Image Address														
Indexed Field(s) Only														
Current Field Value														
Current Day														
Current Date														
Current Time														
Document Counter														
Roll Number														
Attachment Count														
Bar Code Data														
Nothing														
Previous Menu														
<input type="text" value="&lt;FF/IA&gt;"/>														
New Transmit Sequence														
<input type="text"/>														

When using a Microimager 70 without the Advanced Function Module installed, a limited number of transmit items may be selected. The valid items are:

- Full Image Address
- Nothing

When using a Microimager 70 with the Advanced Function Module installed, Scanner 900, Scanner 923, Scanner 9500, or Scanner/Microimager 990, all of the transmit items are available for selection, with a maximum of seven (7) items.

2. Select the item(s) to be transmitted.

## Printer Control

NOTE: The Document Printer Controller must be installed

- Microimager 70     Microimager 70/AFM     Scanner 900
- Scanner 923     Scanner/Microimager 990     Scanner 9500

1. Select *Printer Control*.

Mode Number: 10		Mode Name: MODE10	
Mode Configuration			
MODE 10	Mode Name	Ftswitch Pressed	Undef
3 Lvl	Index Format	Ftswitch Released	Undef
Supprs	IA Display Format	Ftswitch Cnf Tone	Off
4233	IA Field Widths	Patch Reader 1	Off
2112	Level Rules	Patch Reader 2	Off
None	Batching	Patch Definition	Lvl 2
Auto	AEC Mode	Bar Code	Off
Duplex	Film Mode	Confirmation Tone	N N N
?????	Reduction Ratio	OCR Status	Off
1 Roll	# of Cassettes	COIN User Channel	On
Comic	Film Writer	<b>Printer Control</b>	Disply
Off	Image Mgmt Code	Primary DP-1	Off
Off	Length Monitor	Secondary DP-1	Off
Off	Skew Monitor	Doc. Printer 12	Off
Xport	Check Stacker	Document Sorter	Off
Off	Endorser	Mode Overrides	No Sav
	Not Used	Film Definition	F
Save & End Session		Don't Save & End Session	
Previous Menu		End Configuration	

Printer Control

IA Print Format

Print Position

Special Character Set

Previous Menu

## Image Address Print Format

This mode defines the format used by the document printer(s) when printing the Image Address. The default value is *Display*.

- Microimager 70     Microimager 70/AFM     Scanner 900
- Scanner 923     Scanner/Microimager 990     Scanner 9500

1. Select *IA Print Format*.

Mode Number: 10		Mode Name: MODE10	
Mode Configuration			
MODE 10	Mode Name	Ftswitch Pressed	Undef
3 Lvl	Index Format	Ftswitch Released	Undef
Supprs	IA Display Format	Ftswitch Cnf Tone	Off
4233	IA Field Widths	Patch Reader 1	Off
2112	Level Rules	Patch Reader 2	Off
None	Batching	Patch Definition	Lvl 2
Auto	AEC Mode	Bar Code	Off
Duplex	Film Mode	Confirmation Tone	N N N
?????	Reduction Ratio	OCR Status	Off
1 Roll	# of Cassettes	COIN User Channel	On
Comic	Film Writer	Printer Control	Disply
Off	Image Mgmt Code	Primary DP-1	Off
Off	Length Monitor	Secondary DP-1	Off
Off	Skew Monitor	Doc. Printer 12	Off
Xport	Check Stacker	Document Sorter	Off
Off	Endorser	Mode Overrides	No Sav
	Not Used	Film Definition	F
Save & End Session		Don't Save & End Session	
Previous Menu		End Configuration	

Printer Control

IA Print Format

Print Position

Special Character Set

Previous Menu

Examples of Formats

Display: 001.002.003.004

Compress:001.2.3.4

Suppress: 1. 2. 3. 4

DP IA Display Format

Display Leading Zeroes

Compress Leading Zeroes

Suppress Leading Zeroes

Previous Menu

2. Select the desired print format.

## Print Position

This mode defines how far from the leading edge of the document(s) the information printed by the document printer(s) will appear. The default value is *00.250 inch/6.25 mm*.

- Microimager 70    ■ Microimager 70/AFM    ■ Scanner 900
- Scanner 923    ■ Scanner/Microimager 990    ■ Scanner 9500

1. Select *Print Position*.

Mode Number: 10		Mode Name: MODE10		Printer Control	
Mode Configuration				IA Print Format	
MODE 10	Mode Name	Ftswitch Pressed	Undef	Print Position	
3 Lvl	Index Format	Ftswitch Released	Undef	Special Character Set	
Supprs	IA Display Format	Ftswitch Cnf Tone	Off	Previous Menu	
4233	IA Field Widths	Patch Reader 1	Off		
2112	Level Rules	Patch Reader 2	Off		
None	Batching	Patch Definition	Lvl 2		
Auto	AEC Mode	Bar Code	Off		
Duplex	Film Mode	Confirmation Tone	N N N		
????	Reduction Ratio	OCR Status	Off		
1 Roll	# of Cassettes	COIN User Channel	On		
Comic	Film Writer	Printer Control	Disply		
Off	Image Mgmt Code	Primary DP-1	Off		
Off	Length Monitor	Secondary DP-1	Off		
Off	Skew Monitor	Doc. Printer 12	Off		
Xport	Check Stacker	Document Sorter	Off		
Off	Endorser	Mode Overrides	No Sav		
	Not Used	Film Definition	F		
Save & End Session		Don't Save & End Session		Enter Print Position	
Previous Menu		End Configuration		Range: 0.125...20.000	
				0000.250	

2. Select the desired print position with the range 0.125 to 75 inches or 3.000 to 1905.000 mm).

## Special Character Set

This mode defines the size font to be printed. Select either the smaller or larger font size when using the Document Printer 12. The default value is *Use Smaller Font*.

NOTE: This selection is not available if the wrong printer driver board is installed. The following message appears:

### ***Incorrect revision of 3100 PCB for Bigfoot Font***

Microimager 70     Microimager 70/AFM     Scanner 900  
 Scanner 923     Scanner/Microimager 990     Scanner 9500

1. Select *Special Character Set*.

Mode Number: 10		Mode Name: MODE10	
Mode Configuration			
MODE 10	Mode Name	Ftswitch Pressed	Undef
3 Lvl	Index Format	Ftswitch Released	Undef
Supprs	IA Display Format	Ftswitch Cnf Tone	Off
4233	IA Field Widths	Patch Reader 1	Off
2112	Level Rules	Patch Reader 2	Off
None	Batching	Patch Definition	Lvl 2
Auto	AEC Mode	Bar Code	Off
Duplex	Film Mode	Confirmation Tone	N N N
????	Reduction Ratio	OCR Status	Off
1 Roll	# of Cassettes	COIN User Channel	On
Comic	Film Writer	Printer Control	Disply
Off	Image Mgmt Code	Primary DP-1	Off
Off	Length Monitor	Secondary DP-1	Off
Off	Skew Monitor	Doc. Printer 12	Off
Xport	Check Stacker	Document Sorter	Off
Off	Endorser	Mode Overrides	No Sav
	Not Used	Film Definition	F
Save & End Session		Don't Save & End Session	
Previous Menu		End Configuration	

Printer Control	
IA Print Format	
Print Position	
Special Character Set	
Previous Menu	

Character Set	
Use Smaller Font	
Use Larger Font	
Previous Menu	

2. Select the desired font size.

## Primary Document Printer 1

NOTE: A Document Printer 1 accessory must be installed.

- Microimager 70    ■ Microimager 70/AFM    ■ Scanner 900
- Scanner 923    ■ Scanner/Microimager 990    ■ Scanner 9500

1. Select *Primary DP-1*.

Mode Number: 10		Mode Name: MODE10	
Mode Configuration			
MODE 10 3 Lvl Supprs 4233 2112 None Auto Duplex ????? 1 Roll Comic Off Off Off Xport Off	Mode Name Index Format IA Display Format IA Field Widths Level Rules Batching AEC Mode Film Mode Reduction Ratio # of Cassettes Film Writer Image Mgmt Code Length Monitor Skew Monitor Check Stacker Endorser Not Used	Ftswitch Pressed Ftswitch Released Ftswitch Cnf Tone Patch Reader 1 Patch Reader 2 Patch Definition Bar Code Confirmation Tone OCR Status COIN User Channel Printer Control <b>Primary DP-1</b> Secondary DP-1 Doc. Printer 12 Document Sorter Mode Overrides Film Definition	Undef Undef Off Off Off Lvl 2 Off N N N Off On Disply Off Off Off No Sav F
Save & End Session		Don't Save & End Session	
Previous Menu		End Configuration	

Primary Document Printer  
 Document Printer Status  
 Fonts/Orientation  
 Same Format per Level  
 Print Sequence - Level 0  
 Print Sequence - Level 1  
 Print Sequence - Level 2  
 Print Sequence - Level 3  
 Previous Menu

## Document Printer Status

This mode enables or disables the primary Document Printer 1. The default value is *Off or Disabled*.

- Microimager 70    ■ Microimager 70/AFM    ■ Scanner 900
- Scanner 923    ■ Scanner/Microimager 990    ■ Scanner 9500

1. Select *Document Printer Status*.

Mode Number: 10		Mode Name: MODE10	
Mode Configuration			
MODE 10 3 Lvl Supprs 4233 2112 None Auto Duplex ????? 1 Roll Comic Off Off Off Xport Off	Mode Name Index Format IA Display Format IA Field Widths Level Rules Batching AEC Mode Film Mode Reduction Ratio # of Cassettes Film Writer Image Mgmt Code Length Monitor Skew Monitor Check Stacker Endorser Not Used	Ftswitch Pressed Ftswitch Released Ftswitch Cnf Tone Patch Reader 1 Patch Reader 2 Patch Definition Bar Code Confirmation Tone OCR Status COIN User Channel Printer Control Primary DP-1 Secondary DP-1 Doc. Printer 12 Document Sorter Mode Overrides Film Definition	Undef Undef Off Off Off Lvl 2 Off N N N Off On Disply Off Off Off No Sav F
Save & End Session		Don't Save & End Session	
Previous Menu		End Configuration	

Primary Document Printer  
 Document Printer Status  
 Fonts/Orientation  
 Same Format per Level  
 Print Sequence - Level 0  
 Print Sequence - Level 1  
 Print Sequence - Level 2  
 Print Sequence - Level 3  
 Previous Menu

Primary Status  
 Off or Disabled  
 On or Enabled  
 Previous Menu

2. Select the desired status.

## Fonts/Orientation

This mode defines the size and orientation of the characters printed by the primary Document Printer 1. The default value is *Off or Disabled*.

- Microimager 70    ■ Microimager 70/AFM    ■ Scanner 900
- Scanner 923    ■ Scanner/Microimager 990    ■ Scanner 9500

1. Select *Fonts/Orientation*.

Mode Number: 10		Mode Name: MODE10	
Mode Configuration			
MODE 10 3 Lvl Supprs 4233 2112 None Auto Duplex ????? 1 Roll Comic Off Off Off Xport Off	Mode Name Index Format IA Display Format IA Field Widths Level Rules Batching AEC Mode Film Mode Reduction Ratio # of Cassettes Film Writer Image Mgmt Code Length Monitor Skew Monitor Check Stacker Endorser Not Used	Ftswitch Pressed    Undef Ftswitch Released    Undef Ftswitch Cnf Tone    Off Patch Reader 1    Off Patch Reader 2    Off Patch Definition    Lvl 2 Bar Code    Off Confirmation Tone    N N N OCR Status    Off COIN User Channel    On Printer Control    Disply Primary DP-1    Off Secondary DP-1    Off Doc. Printer 12    Off Document Sorter    Off Mode Overrides    No Sav Film Definition    F	<div style="border: 1px solid black; padding: 2px;">         Primary Document Printer          Document Printer Status          Fonts/Orientation          Same Format per Level          Print Sequence - Level 0          Print Sequence - Level 1          Print Sequence - Level 2          Print Sequence - Level 3          Previous Menu       </div> <div style="border: 1px solid black; padding: 2px; margin-top: 10px;">         DP-1 Font Selection          Small Font - Comic          Small Font - Cine          Small Font - Comic 180          Small Font - Cine 180          Large Font - Comic          Large Font - Cine          Large Font - Comic 180          Large Font - Cine 180          Previous Menu       </div>
Save & End Session		Don't Save & End Session	
Previous Menu		End Configuration	

2. Select the desired size and font (four orientations).

COMIC	C I N E	COMIC180	0 8 1 E N I C
-------	------------------	----------	---------------------------------



## Print Definitions

This mode defines the information printed on each document, based upon the document level.

The default values are *Nothing Printed* for Level 0 documents; *Full Image Address with all delimiters* for Level 1, Level 2, and Level 3 documents <FF/IA All Del>.

■ Microimager 70    ■ Microimager 70/AFM    ■ Scanner 900  
■ Scanner 923    ■ Scanner/Microimager 990    ■ Scanner 9500

If the same information is to be printed on documents of all levels:

1. Select *Same Format per Level*.

The screenshot shows a menu interface for defining print sequences. On the left, there are two empty rectangular boxes labeled 'Current Print Sequence Display Values' and 'New Print Sequence Display Values'. On the right, there is a list titled 'Print Items' with the following options: Full IA w/No Delimiters, Full IA w/FF Delimiter, Full IA w/All Delimiter, Fixed Field Only, Indexed Fields Only, Current Field Level, Spaces between Items, Current Day, Current Date, Current Time, Document Counter, Roll Number, Message 1-9, Check Digit, Nothing Printed, and Previous Menu.

When using a Microimager 70 without the Advanced Function Module installed, a limited number of items may be selected. The available items are:

- Full IA w/ All Delimiter
- Indexed Fields Only
- Nothing Printed

When using a Microimager 70 with the Advanced Function Module installed, all of the items are available for selection, with a maximum of 38 characters (including spaces).

NOTE: If the definition exceeds the 38 character limit, the first 38 characters will be printed on each document and the remainder of the information will be truncated.

2. Select the item(s) to be printed.

If *Spaces between items* is selected, you must select the desired number of spaces.

If *Check Digit* is selected, the following window is displayed:

Current Print Sequence Display Values

New Print Sequence Display Values

Check Digit

- Mod 7A IA Only
- Mod 11A IA Only
- Mod 7B IA Only
- Mod 7B Full IA
- Mod 10 IA Only
- Mod 10 Full IA
- Mod 11B IA Only
- Mod 11B Full IA
- Custom IA Only
- Custom Full IA
- Previous Menu

2. Select the desired check digit calculation.

If an option which indicates *IA Only* is chosen, the level fields of the Image Address will be printed; the Fixed Field will not be printed. If an option which indicates *Full IA* is chosen, the Fixed Field and level fields of the Image Address will be printed.

NOTE: If *Customer - IA Only* or *Customer - Full IA* is chosen, the Check Digit options must be defined.

If *Message Number* is selected, the following window is displayed:

Current Print Sequence Display Values

New Print Sequence Display Values

Message Number

- Message Number 1
- Message Number 2
- Message Number 3
- Message Number 4
- Message Number 5
- Message Number 6
- Message Number 7
- Message Number 8
- Message Number 9
- Previous Menu

1. Select the desired message number.

If different information is to be printed on documents of different levels:

1. Select *Print Sequence - Level #* for the desired level.

Current Print Sequence Display Values

New Print Sequence Display Values

Print Items

- Full IA w/No Delimiters
- Full IA w/FF Delimiter
- Full IA w/All Delimiter
- Fixed Field Only
- Indexed Fields Only
- Current Field Level
- Spaces between Items
- Current Day
- Current Date
- Current Time
- Document Counter
- Roll Number
- Message 1-9
- Check Digit
- Nothing Printed
- Previous Menu

When using a Microimager 70 without the Advanced Function Module installed, a limited number of items may be selected. The available items are:

- Full IA w/ All Delimiter
- Indexed Fields Only
- Nothing Printed

When using a Microimager 70 with the Advanced Function Module installed, all of the items are available for selection, with a maximum of 38 characters (including spaces).

If *Check Digit* is selected, the following window is displayed:

NOTE: If the definition exceeds the thirty-eight (38) character limits, the first thirty-eight (38) characters will be printed on each document and the remainder of the information will be truncated.

2. Select the item(s) to be printed.

## Secondary Document Printer 1

NOTE: Two Document Printer 1 accessories must be installed.

- Microimager 70     Microimager 70/AFM     Scanner 900  
 Scanner 923     Scanner/Microimager 990     Scanner 9500

1. Select *Secondary DP-1*.

Mode Number: 10		Mode Name: MODE10		Second Document Printer	
Mode Configuration					
MODE 10	Mode Name	Ftswitch Pressed	Undef	Document Printer Status	
3 Lvl	Index Format	Ftswitch Released	Undef	Fonts/Orientation	
Supprs	IA Display Format	Ftswitch Cnf Tone	Off	Same Format per Level	
4233	IA Field Widths	Patch Reader 1	Off	Print Sequence - Level 0	
2112	Level Rules	Patch Reader 2	Off	Print Sequence - Level 1	
None	Batching	Patch Definition	Lvl 2	Print Sequence - Level 2	
Auto	AEC Mode	Bar Code	Off	Print Sequence - Level 3	
Duplex	Film Mode	Confirmation Tone	N N N	Previous Menu	
?????	Reduction Ratio	OCR Status	Off		
1 Roll	# of Cassettes	COIN User Channel	On		
Comic	Film Writer	Printer Control	Disply		
Off	Image Mgmt Code	Primary DP-1	Off		
Off	Length Monitor	Secondary DP-1	Off		
Off	Skew Monitor	Doc. Printer 12	Off		
Xport	Check Stacker	Document Sorter	Off		
Off	Endorser	Mode Overrides	No Sav		
	Not Used	Film Definition	F		
Save & End Session		Don't Save & End Session			
Previous Menu		End Configuration			

## Document Printer Status

Enables or disables the secondary Document Printer 1. The default value is *Off or Disabled*.

- Microimager 70     Microimager 70/AFM     Scanner 900  
 Scanner 923     Scanner/Microimager 990     Scanner 9500

1. Select *Document Printer Status*.

Mode Number: 10		Mode Name: MODE10	
Mode Configuration			
MODE 10	Mode Name	Ftswitch Pressed	Undef
3 Lvl	Index Format	Ftswitch Released	Undef
Supprs	IA Display Format	Ftswitch Cnf Tone	Off
4233	IA Field Widths	Patch Reader 1	Off
2112	Level Rules	Patch Reader 2	Off
None	Batching	Patch Definition	Lvl 2
Auto	AEC Mode	Bar Code	Off
Duplex	Film Mode	Confirmation Tone	N N N
?????	Reduction Ratio	OCR Status	Off
1 Roll	# of Cassettes	COIN User Channel	On
Comic	Film Writer	Printer Control	Disply
Off	Image Mgmt Code	Primary DP-1	Off
Off	Length Monitor	Secondary DP-1	Off
Off	Skew Monitor	Doc. Printer 12	Off
Xport	Check Stacker	Document Sorter	Off
Off	Endorser	Mode Overrides	No Sav
	Not Used	Film Definition	F
Save & End Session		Don't Save & End Session	
Previous Menu		End Configuration	
Second Document Printer			
Document Printer Status			
Fonts/Orientation			
Same Format per Level			
Print Sequence - Level 0			
Print Sequence - Level 1			
Print Sequence - Level 2			
Print Sequence - Level 3			
Previous Menu			
Secondary DP-1			
Off or Disabled			
On or Enabled			
Previous Menu			

2. Select the desired status.

## Fonts/Orientation—DP2

This mode defines the size and orientation of the characters printed by the secondary Document Printer 1. The default value is *Off* or *Disabled*.

- Microimager 70     Microimager 70/AFM     Scanner 900  
 Scanner 923     Scanner/Microimager 990     Scanner 9500

### 1. Select *Fonts/Orientation*.

Mode Number: 10		Mode Name: MODE10	
Mode Configuration			
MODE 10	Mode Name	Ftswitch Pressed	Undef
3 Lvl	Index Format	Ftswitch Released	Undef
Supprs	IA Display Format	Ftswitch Cnf Tone	Off
4233	IA Field Widths	Patch Reader 1	Off
2112	Level Rules	Patch Reader 2	Off
None	Batching	Patch Definition	Lvl 2
Auto	AEC Mode	Bar Code	Off
Duplex	Film Mode	Confirmation Tone	N N N
?????	Reduction Ratio	OCR Status	Off
1 Roll	# of Cassettes	COIN User Channel	On
Comic	Film Writer	Printer Control	Disply
Off	Image Mgmt Code	Primary DP-1	Off
Off	Length Monitor	Secondary DP-1	Off
Off	Skew Monitor	Doc. Printer 12	Off
Xport	Check Stacker	Document Sorter	Off
Off	Endorser	Mode Overrides	No Sav
	Not Used	Film Definition	F
Save & End Session		Don't Save & End Session	
Previous Menu		End Configuration	

Second Document Printer

Document Printer Status

Fonts/Orientation

Same Format per Level

Print Sequence - Level 0

Print Sequence - Level 1

Print Sequence - Level 2

Print Sequence - Level 3

Previous Menu

DP-1 Font Selection

Small Font - Comic

Small Font - Cine

Small Font - Comic 180

Small Font - Cine 180

Large Font - Comic

Large Font - Cine

Large Font - Comic 180

Large Font - Cine 180

Previous Menu

### 2. Select the desired size and font (four orientations).

COMIC    C    COMIC180    0  
           I                                       8  
           N                                       1  
           E                                       E  
                                                   N  
                                                   I  
                                                   C

## Print Definitions—DP2

This mode defines the information printed on each document, based upon the document level. The default values are *Nothing Printed* for Level 0 documents; *Full Image Address with all delimiters* for Level 1, Level 2, and Level 3 documents.

Microimager 70     Microimager 70/AFM     Scanner 900  
 Scanner 923     Scanner/Microimager 990     Scanner 9500

If the same information is to be printed on documents of all levels:

1. Select *Same Format per Level*.

Current Print Sequence Display Values	<input type="text"/>	<b>Print Items</b> Full IA w/No Delimiters Full IA w/FF Delimiter Full IA w/All Delimiter Fixed Field Only Indexed Fields Only Current Field Level Spaces between Items Current Day Current Date Current Time Document Counter Roll Number Message 1-9 Check Digit Nothing Printed Previous Menu
New Print Sequence Display Values	<input type="text"/>	

2. Select the item(s) to be printed, in turn, up to a maximum of thirty-eight (38) characters, including spaces.

NOTE: If the definition exceeds the thirty-eight (38) character limit, the first thirty-eight (38) characters will be printed on each document and the remainder of the information will be truncated.

If *Spaces between Items* is selected, you must select the desired number of spaces.

If *Check Digit* is selected, the following window is displayed:

Check Digit	
Mod 7A	IA Only
Mod 11A	IA Only
Mod 7B	IA Only
Mod 7B	Full IA
Mod 10	IA Only
Mod 10	Full IA
Mod 11B	IA Only
Mod 11B	Full IA
Custom	IA Only
Custom	Full IA
Previous Menu	

3. Select the desired check digit calculation.

If an option which indicates *IA Only* is chosen, the level fields of the Image Address will be printed; the Fixed Field will not be printed. If an option which indicates *Full IA* is chosen, the Fixed Field and level fields of the Image Address will be printed.

NOTE: If *Customer—IA Only* or *Customer—Full IA* is chosen, the Check Digit options must be defined.



If *Message Number* is selected, the following window is displayed:

The screenshot shows a window with two text input fields on the left and a list box on the right. The top input field is labeled 'Current Print Sequence Display Values' and the bottom one is labeled 'New Print Sequence Display Values'. The list box is titled 'Message Number' and contains the following items: Message Number 1, Message Number 2, Message Number 3, Message Number 4, Message Number 5, Message Number 6, Message Number 7, Message Number 8, Message Number 9, and Previous Menu.

4. Select the desired message number.

If different information is to be printed on documents of different levels:

5. Select *Print Sequence—Level #* for the desired level.
6. Select the item(s) to be printed next to documents of the selected level, in turn, up to a maximum of thirty-eight (38) characters, including spaces.

NOTE: If the definition exceeds the thirty-eight (38) character limit, the first thirty-eight (38) characters will be printed on each document and the remainder of the information will be truncated.

## Document Printer 12

NOTE: The Document Printer 12 accessory must be installed

- Microimager 70    ■ Microimager 70/AFM    ■ Scanner 900
- Scanner 923    ■ Scanner/Microimager 990    ■ Scanner 9500

1. Select *Doc. Printer 12*.

Mode Number: 10		Mode Name: MODE10	
Mode Configuration		Document Printer 12	
MODE 10	Mode Name	Ftswitch Pressed	Undef
3 Lvl	Index Format	Ftswitch Released	Undef
Supprs	IA Display Format	Ftswitch Cnf Tone	Off
4233	IA Field Widths	Patch Reader 1	Off
2112	Level Rules	Patch Reader 2	Off
None	Batching	Patch Definition	Lvl 2
Auto	AEC Mode	Bar Code	Off
Duplex	Film Mode	Confirmation Tone	N N N
????	Reduction Ratio	OCR Status	Off
1 Roll	# of Cassettes	COIN User Channel	On
Comic	Film Writer	Printer Control	Disply
Off	Image Mgmt Code	Primary DP-1	Off
Off	Length Monitor	Secondary DP-1	Off
Off	Skew Monitor	Doc. Printer 12	Off
Xport	Check Stack	Document Sorter	Off
Off	Endorser	Mode Overrides	No Sav
	Not Used	Film Definition	F
Save & End Session		Don't Save & End Session	
Previous Menu		End Configuration	

## Document Printer Status—DP12

Enables or disables the Document Printer 12. The default value is *Off or Disabled*.

- Microimager 70    ■ Microimager 70/AFM    ■ Scanner 900
- Scanner 923    ■ Scanner/Microimager 990    ■ Scanner 9500

1. Select *Document Printer Status*.

Mode Number: 10		Mode Name: MODE10	
Mode Configuration			
MODE 10	Mode Name	Ftswitch Pressed	Undef
3 Lvl	Index Format	Ftswitch Released	Undef
Supprs	IA Display Format	Ftswitch Cnf Tone	Off
4233	IA Field Widths	Patch Reader 1	Off
2112	Level Rules	Patch Reader 2	Off
None	Batching	Patch Definition	Lvl 2
Auto	AEC Mode	Bar Code	Off
Duplex	Film Mode	Confirmation Tone	N N N
????	Reduction Ratio	OCR Status	Off
1 Roll	# of Cassettes	COIN User Channel	On
Comic	Film Writer	Printer Control	Disply
Off	Image Mgmt Code	Primary DP-1	Off
Off	Length Monitor	Secondary DP-1	Off
Off	Skew Monitor	Doc. Printer 12	Off
Xport	Check Stacker	Document Sorter	Off
Off	Endorser	Mode Overrides	No Sav
	Not Used	Film Definition	F
Save & End Session		Don't Save & End Session	
Previous Menu		End Configuration	

Document Printer 12

Document Printer Status  
 Fonts/Orientation  
 Same Format per Level  
 Print Sequence - Level 0  
 Print Sequence - Level 1  
 Print Sequence - Level 2  
 Print Sequence - Level 3  
 Previous Menu

PAW 12 Status

Off or Disabled  
 On or Enabled  
 Previous Menu

2. Select the desired status.

## Fonts/Orientation—DP12

This mode defines the size and orientation of the characters printed by the Document Printer 12. The default value is *Comic Orientation*.

- Microimager 70    ■ Microimager 70/AFM    ■ Scanner 900
- Scanner 923    ■ Scanner/Microimager 990    ■ Scanner 9500

### 1. Select *Fonts/Orientation*.

Mode Number: 10		Mode Name: MODE10	
Mode Configuration			
MODE 10	Mode Name	Ftswitch Pressed	Undef
3 Lvl	Index Format	Ftswitch Released	Undef
Supprs	IA Display Format	Ftswitch Cnf Tone	Off
4233	IA Field Widths	Patch Reader 1	Off
2112	Level Rules	Patch Reader 2	Off
None	Batching	Patch Definition	Lvl 2
Auto	AEC Mode	Bar Code	Off
Duplex	Film Mode	Confirmation Tone	N N N
????	Reduction Ratio	OCR Status	Off
1 Roll	# of Cassettes	COIN User Channel	On
Comic	Film Writer	Printer Control	Disply
Off	Image Mgmt Code	Primary DP-1	Off
Off	Length Monitor	Secondary DP-1	Off
Off	Skew Monitor	Doc. Printer 12	Off
Xport	Check Stacker	Document Sorter	Off
Off	Endorser	Mode Overrides	No Sav
	Not Used	Film Definition	F
Save & End Session		Don't Save & End Session	
Previous Menu		End Configuration	

Document Printer 12

Document Printer Status  
 Fonts/Orientation  
 Same Format per Level  
 Print Sequence - Level 0  
 Print Sequence - Level 1  
 Print Sequence - Level 2  
 Print Sequence - Level 3  
 Previous Menu

DP-12 Font Selection

Comic Orientation  
 Comic 180 Orientation  
 Previous Menu

### 2. Select the desired size and font.

COMIC

COMIC

## Print Definitions—DP12

This mode defines the information printed on each document, based upon the document level. The default values are *No Print Template* for Level 0 documents; *Print Template* for Level 1, Level 2, and Level 3 documents. The default is IA-No Del.

Microimager 70     Microimager 70/AFM     Scanner 900  
 Scanner 923     Scanner/Microimager 990     Scanner 9500

If the same information is to be printed on documents of all levels.

1. Select *Same Format per Level*.

Mode Number: 10		Mode Name: MODE10	
Mode Configuration			
MODE 10	Mode Name	Ftswitch Pressed	Undef
3 Lvl	Index Format	Ftswitch Released	Undef
Supprs	IA Display Format	Ftswitch Cnf Tone	Off
4233	IA Field Widths	Patch Reader 1	Off
2112	Level Rules	Patch Reader 2	Off
None	Batching	Patch Definition	Lvl 2
Auto	AEC Mode	Bar Code	Off
Duplex	Film Mode	Confirmation Tone	N N N
?????	Reduction Ratio	OCR Status	Off
1 Roll	# of Cassettes	COIN User Channel	On
Comic	Film Writer	Printer Control	Disply
Off	Image Mgmt Code	Primary DP-1	Off
Off	Length Monitor	Secondary DP-1	Off
Off	Skew Monitor	Doc. Printer 12	Off
Xport	Check Stacker	Document Sorter	Off
Off	Endorser	Mode Overrides	No Sav
	Not Used	Film Definition	F
Save & End Session		Don't Save & End Session	
Previous Menu		End Configuration	

Document Printer 12	
Document Printer Status	
Fonts/Orientation	
Same Format per Level	
Print Sequence - Level 0	
Print Sequence - Level 1	
Print Sequence - Level 2	
Print Sequence - Level 3	
Previous Menu	

Print Level*	
Print Template 1	
Print Template 2	
Print Template 3	
Print Template 4	
Print Template 5	
Print Template 6	
Print Template 7	
Print Template 8	
Print Template 9	
Print Template 10	
No Print Template	
Previous Menu	

When using a Microimager 70 without the Advanced Function Module installed, a limited number of items may be selected. The available items are:

- Print Template 1
- No Print Template

When using a Microimager 70 with the Advanced Function Module installed, all of the print templates defined during machine configuration are available for selection.

2. Select the print template which contains the information to be printed on all documents.
3. Select *Print Sequence—Level #* for the desired level.

Mode Number: 10		Mode Name: MODE10	
Mode Configuration 1			
MODE 10	Mode Name	Ftswitch Pressed	Undef
3 Lvl	Index Format	Ftswitch Released	Undef
Supprs	IA Display Format	Ftswitch Crnf Tone	Off
4233	IA Field Widths	Patch Reader 1	Off
2112	Level Rules	Patch Reader 2	Off
None	Batching	Patch Definition	Lvl 2
Auto	AEC Mode	Bar Code	Off
Duplex	Film Mode	Confirmation Tone	N N N
????	Reduction Ratio	OCR Status	Off
1 Roll	# of Cassettes	COIN User Channel	On
Comic	Film Writer	Printer Control	Disply
Off	Image Mgmt Code	Primary DP-1	Off
Off	Length Monitor	Secondary DP-1	Off
Off	Skew Monitor	Doc. Printer 12	Off
Xport	Check Stacker	Document Sorter	Off
Off	Endorser	Mode Overrides	No Sav
	Not Used	Film Definition	F
Save & End Session		Don't Save & End Session	
Previous Menu		End Configuration	

Document Printer 12	
Document Printer Status	
Fonts/Orientation	
Same Format per Level	
Print Sequence - Level 0	
Print Sequence - Level 1	
Print Sequence - Level 2	
Print Sequence - Level 3	
Previous Menu	

Print Level*	
Print Template 1	
Print Template 2	
Print Template 3	
Print Template 4	
Print Template 5	
Print Template 6	
Print Template 7	
Print Template 8	
Print Template 9	
Print Template 10	
No Print Template	
Previous Menu	

When using a Microimager 70 without the Advanced Function Module installed, a limited number of items may be selected. The available items are:

- Print Template 1
- No Print Template

When using a Microimager 70 with the Advanced Function Module installed, all of the print templates defined during machine configuration are available for selection.

4. Select the print template which contains the information to be printed on all documents.

# Document Sorter OFF

- Microimager 70     Microimager 70/AFM     Scanner 900
- Scanner 923     Scanner/Microimager 990     Scanner 9500

Select Document Sorter and the following screen appears:

Mode Number: 10		Mode Name: MODE10																																								
<table border="1" style="width: 100%; border-collapse: collapse;"> <tr> <th style="text-align: left;">Sort Criteria</th> <th style="text-align: left;">Bin</th> </tr> <tr> <td>Default Stopper</td> <td>Upper</td> </tr> <tr> <td>Level 0 Docs</td> <td>Default</td> </tr> <tr> <td>Level 1 Docs</td> <td>Default</td> </tr> <tr> <td>Level 2 Docs</td> <td>Default</td> </tr> <tr> <td>Level 3 Docs</td> <td>Default</td> </tr> <tr> <td>Transfer Patch</td> <td>Default</td> </tr> <tr> <td>Level III Patch</td> <td>Default</td> </tr> <tr> <td>Level II Patch</td> <td>Default</td> </tr> <tr> <td>Bar Code Docs</td> <td>Default</td> </tr> <tr> <td>Partial Read BC</td> <td>Default</td> </tr> <tr> <td>Docs w/o Bar Code</td> <td>Default</td> </tr> <tr> <td>BC/Patch Docs</td> <td>Default</td> </tr> <tr> <td>Skewed Documents</td> <td>Default</td> </tr> <tr> <td>Length Error Docs</td> <td>Default</td> </tr> </table>	Sort Criteria	Bin	Default Stopper	Upper	Level 0 Docs	Default	Level 1 Docs	Default	Level 2 Docs	Default	Level 3 Docs	Default	Transfer Patch	Default	Level III Patch	Default	Level II Patch	Default	Bar Code Docs	Default	Partial Read BC	Default	Docs w/o Bar Code	Default	BC/Patch Docs	Default	Skewed Documents	Default	Length Error Docs	Default	<table border="1" style="width: 100%; border-collapse: collapse;"> <tr> <th style="text-align: left;">Document Sorter</th> </tr> <tr> <td>Status</td> </tr> <tr> <td>Error Response</td> </tr> <tr> <td>Sort Criteria</td> </tr> </table> <table border="1" style="width: 100%; border-collapse: collapse;"> <tr> <th style="text-align: left;">Status</th> </tr> <tr> <td>Off or Disable</td> </tr> <tr> <td>On or Enabled</td> </tr> </table> <table border="1" style="width: 100%; border-collapse: collapse;"> <tr> <th style="text-align: left;">Error Response</th> </tr> <tr> <td>Display Only</td> </tr> <tr> <td>Beep and Display</td> </tr> <tr> <td>Stop and Display</td> </tr> </table>	Document Sorter	Status	Error Response	Sort Criteria	Status	Off or Disable	On or Enabled	Error Response	Display Only	Beep and Display	Stop and Display
Sort Criteria	Bin																																									
Default Stopper	Upper																																									
Level 0 Docs	Default																																									
Level 1 Docs	Default																																									
Level 2 Docs	Default																																									
Level 3 Docs	Default																																									
Transfer Patch	Default																																									
Level III Patch	Default																																									
Level II Patch	Default																																									
Bar Code Docs	Default																																									
Partial Read BC	Default																																									
Docs w/o Bar Code	Default																																									
BC/Patch Docs	Default																																									
Skewed Documents	Default																																									
Length Error Docs	Default																																									
Document Sorter																																										
Status																																										
Error Response																																										
Sort Criteria																																										
Status																																										
Off or Disable																																										
On or Enabled																																										
Error Response																																										
Display Only																																										
Beep and Display																																										
Stop and Display																																										
<input type="button" value="Save &amp; End Session"/> <input type="button" value="Don't Save &amp; End Session"/>		<input type="button" value="Previous Menu"/> <input type="button" value="End Configuration"/>																																								

Select any of the Sort Criteria and the following screen appears:

Mode Number: 10		Mode Name: MODE10																																																																										
Mode Configuration																																																																												
<table border="1" style="width: 100%; border-collapse: collapse;"> <tr> <td>MODE 10</td> <td>Mode Name</td> <td>Ftswitch Pressed</td> <td>Undef</td> </tr> <tr> <td>3 Lvl</td> <td>Index Format</td> <td>Ftswitch Released</td> <td>Undef</td> </tr> <tr> <td>Supprs</td> <td>IA Display Format</td> <td>Ftswitch Cnf Tone</td> <td>Off</td> </tr> <tr> <td>4233</td> <td>IA Field Widths</td> <td>Patch Reader 1</td> <td>Off</td> </tr> <tr> <td>2112</td> <td>Level Rules</td> <td>Patch Reader 2</td> <td>Off</td> </tr> <tr> <td>None</td> <td>Batching</td> <td>Patch Definition</td> <td>Lvl 2</td> </tr> <tr> <td>Auto</td> <td>AEC Mode</td> <td>Bar Code</td> <td>Off</td> </tr> <tr> <td>Duplex</td> <td>Film Mode</td> <td>Confirmation Tone</td> <td>N N N</td> </tr> <tr> <td>?????</td> <td>Reduction Ratio</td> <td>OCR Status</td> <td>Off</td> </tr> <tr> <td>1 Roll</td> <td># of Cassettes</td> <td>COIN User Channel</td> <td>On</td> </tr> <tr> <td>Comic</td> <td>Film Writer</td> <td>Printer Control</td> <td>Disply</td> </tr> <tr> <td>Off</td> <td>Image Mgmt Code</td> <td>Primary DP-1</td> <td>Off</td> </tr> <tr> <td>Off</td> <td>Length Monitor</td> <td>Secondary DP-1</td> <td>Off</td> </tr> <tr> <td>Off</td> <td>Skew Monitor</td> <td>Doc. Printer 12</td> <td>Off</td> </tr> <tr> <td>Xport</td> <td>Check Stacker</td> <td>Document Sorter</td> <td>Off</td> </tr> <tr> <td>Off</td> <td>Endorser</td> <td>Mode Overrides</td> <td>No Sav</td> </tr> <tr> <td></td> <td>Not Used</td> <td>Film Definition</td> <td>F</td> </tr> </table>	MODE 10	Mode Name	Ftswitch Pressed	Undef	3 Lvl	Index Format	Ftswitch Released	Undef	Supprs	IA Display Format	Ftswitch Cnf Tone	Off	4233	IA Field Widths	Patch Reader 1	Off	2112	Level Rules	Patch Reader 2	Off	None	Batching	Patch Definition	Lvl 2	Auto	AEC Mode	Bar Code	Off	Duplex	Film Mode	Confirmation Tone	N N N	?????	Reduction Ratio	OCR Status	Off	1 Roll	# of Cassettes	COIN User Channel	On	Comic	Film Writer	Printer Control	Disply	Off	Image Mgmt Code	Primary DP-1	Off	Off	Length Monitor	Secondary DP-1	Off	Off	Skew Monitor	Doc. Printer 12	Off	Xport	Check Stacker	Document Sorter	Off	Off	Endorser	Mode Overrides	No Sav		Not Used	Film Definition	F	<table border="1" style="width: 100%; border-collapse: collapse;"> <tr> <th style="text-align: left;">Hopper Selection</th> </tr> <tr> <td>Default Hopper</td> </tr> <tr> <td>Lower Hopper</td> </tr> <tr> <td>Upper Hopper</td> </tr> </table> <table border="1" style="width: 100%; border-collapse: collapse;"> <tr> <td style="text-align: center;"><input type="button" value="Previous Menu"/></td> </tr> </table>			Hopper Selection	Default Hopper	Lower Hopper	Upper Hopper	<input type="button" value="Previous Menu"/>
MODE 10	Mode Name	Ftswitch Pressed	Undef																																																																									
3 Lvl	Index Format	Ftswitch Released	Undef																																																																									
Supprs	IA Display Format	Ftswitch Cnf Tone	Off																																																																									
4233	IA Field Widths	Patch Reader 1	Off																																																																									
2112	Level Rules	Patch Reader 2	Off																																																																									
None	Batching	Patch Definition	Lvl 2																																																																									
Auto	AEC Mode	Bar Code	Off																																																																									
Duplex	Film Mode	Confirmation Tone	N N N																																																																									
?????	Reduction Ratio	OCR Status	Off																																																																									
1 Roll	# of Cassettes	COIN User Channel	On																																																																									
Comic	Film Writer	Printer Control	Disply																																																																									
Off	Image Mgmt Code	Primary DP-1	Off																																																																									
Off	Length Monitor	Secondary DP-1	Off																																																																									
Off	Skew Monitor	Doc. Printer 12	Off																																																																									
Xport	Check Stacker	Document Sorter	Off																																																																									
Off	Endorser	Mode Overrides	No Sav																																																																									
	Not Used	Film Definition	F																																																																									
Hopper Selection																																																																												
Default Hopper																																																																												
Lower Hopper																																																																												
Upper Hopper																																																																												
<input type="button" value="Previous Menu"/>																																																																												
<input type="button" value="Save &amp; End Session"/> <input type="button" value="Don't Save &amp; End Session"/>		<input type="button" value="Previous Menu"/> <input type="button" value="End Configuration"/>																																																																										

If 4 selections have been set and you choose a 5th option, the following screen appears:

Mode Number: 10		Mode Name: MODE10	
Mode Configuration			
MODE 10	Mode Name	Ftswitch Pressed	Undef
3 Lvl	Index Format	Ftswitch Released	Undef
Supprs	IA Display Format	Ftswitch Cnf Tone	Off
4233	IA Field Widths	Patch Reader 1	Off
2112	Level Rules	Patch Reader 2	Off
None	Batching	Patch Definition	Lvl 2
Auto	AEC Mode	Bar Code	Off
Duplex	Film Mode	Confirmation Tone	N N N
?????	Reduction Ratio	OCR Status	Off
1 Roll	# of Cassettes	COIN User Channel	On
Comic	Film Writer	Printer Control	Disply
Off	Image Mgmt Code	Primary DP-1	Off
Off	Length Monitor	Secondary DP-1	Off
Off	Skew Monitor	Doc. Printer 12	Off
Xport	Check Stacker	Document Sorter	Off
Off	Endorser	Mode Overrides	No Sav
	Not Used	Film Definition	F
Save & End Session		Don't Save & End Session	
Previous Menu		End Configuration	

**\*\* ERROR \*\***

Maximum number of sorting criteria has been reached

Press ENTER to proceed...

## Mode Overrides

This mode enables or disables mode overrides. Enabling this option means that permanent changes may be made to the original mode option definitions using select function codes during operation. Disabling this option means that changes made to the original mode option definitions using select function codes during operation are temporary. The default value is *Discard Overrides*.

- Microimager 70    ■ Microimager 70/AFM    ■ Scanner 900
- Scanner 923    ■ Scanner/Microimager 990    ■ Scanner 9500

### 1. Select *Mode Overrides*.

Mode Number: 10		Mode Name: MODE10	
Mode Configuration			
MODE 10	Mode Name	Ftswitch Pressed	Undef
3 Lvl	Index Format	Ftswitch Released	Undef
Supprs	IA Display Format	Ftswitch Cnf Tone	Off
4233	IA Field Widths	Patch Reader 1	Off
2112	Level Rules	Patch Reader 2	Off
None	Batching	Patch Definition	Lvl 2
Auto	AEC Mode	Bar Code	Off
Duplex	Film Mode	Confirmation Tone	N N N
?????	Reduction Ratio	OCR Status	Off
1 Roll	# of Cassettes	COIN User Channel	On
Comic	Film Writer	Printer Control	Disply
Off	Image Mgmt Code	Primary DP-1	Off
Off	Length Monitor	Secondary DP-1	Off
Off	Skew Monitor	Doc. Printer 12	Off
Xport	Check Stacker	Document Sorter	Off
Off	Endorser	Mode Overrides	No Sav
	Not Used	Film Definition	F
Save & End Session		Don't Save & End Session	
Previous Menu		End Configuration	

**Overrides**

Discard Overrides

Save Overrides

Previous Menu

### 2. Select the desired override option.



## Film Definition

This mode enables or disables filming.

This option is set as follows:

Microimager 70                    F (film)  
 Scanners 900, 923, 9500    NoF (no film)  
 Scanner/Microimager 990    F (film)

Microimager 70     Microimager 70/AFM             Scanner 900  
 Scanner 923        Scanner/Microimager 990     Scanner 9500

Mode Number: 10		Mode Name: MODE10	
Mode Configuration			
MODE 10	Mode Name	Ftswitch Pressed	Undef
3 Lvl	Index Format	Ftswitch Released	Undef
Supprs	IA Display Format	Ftswitch Cnf Tone	Off
4233	IA Field Widths	Patch Reader 1	Off
2112	Level Rules	Patch Reader 2	Off
None	Batching	Patch Definition	Lvl 2
Auto	AEC Mode	Bar Code	Off
Duplex	Film Mode	Confirmation Tone	N N N
?????	Reduction Ratio	OCR Status	Off
1 Roll	# of Cassettes	COIN User Channel	On
Comic	Film Writer	Printer Control	Disply
Off	Image Mgmt Code	Primary DP-1	Off
Off	Length Monitor	Secondary DP-1	Off
Off	Skew Monitor	Doc. Printer 12	Off
Xport	Check Stacker	Document Sorter	Off
Off	Endorser	Mode Overrides	No Sav
	Not Used	Film Definition	F
Save & End Session		Don't Save & End Session	
Previous Menu		End Configuration	

Filming Definition	
Filming Enabled	
Filming Disabled	
Previous Menu	

## 4 Installation Questionnaire

---

### General Information

CUSTOMER NAME: \_\_\_\_\_

CUSTOMER ADDRESS: \_\_\_\_\_

\_\_\_\_\_

CUSTOMER CONTACT: \_\_\_\_\_ PHONE: \_\_\_\_\_

SALES REPRESENTATIVE: \_\_\_\_\_ PHONE: \_\_\_\_\_

TRAINER: \_\_\_\_\_ PHONE: \_\_\_\_\_

MACHINE ID NUMBER \_\_\_\_\_

MODE NUMBER/NAME	APPLICATION(S)
1 _____	_____
2 _____	_____
3 _____	_____
4 _____	_____
5 _____	_____
6 _____	_____
7 _____	_____
8 _____	_____
9 _____	_____
10 _____	_____
11 _____	_____
12 _____	_____
13 _____	_____
14 _____	_____
15 _____	_____
16 _____	_____
17 _____	_____
18 _____	_____

# Machine Definitions

## 0.0 Accessory Status

- \_\_\_\_\_ Adv. Doc. Controller
- \_\_\_\_\_ Bar Code Reader
- \_\_\_\_\_ Doc Scanning Array
- \_\_\_\_\_ Check Feeder
- \_\_\_\_\_ Check Stacker
- \_\_\_\_\_ Document Sorter
- \_\_\_\_\_ Endorser
- \_\_\_\_\_ Footswitch
- \_\_\_\_\_ Film Writing Module
- \_\_\_\_\_ Image Marker
- \_\_\_\_\_ Patch Reader 1
- \_\_\_\_\_ Patch Reader 2
- \_\_\_\_\_ Print Controller
- \_\_\_\_\_ Primary Doc Printer 1
- \_\_\_\_\_ Secondary Doc Printer 1
- \_\_\_\_\_ Doc Printer 12
- \_\_\_\_\_ OCR

- \_\_\_\_\_ **1.0** Machine ID Number
- \_\_\_\_\_ **2.0** Display Language
- \_\_\_\_\_ **3.0** Measurement System
- \_\_\_\_\_ **4.0** Programmable Function Keys

Key	Definition
P1	
P2	
P3	
P4	
P5	
P6	
P7	
P8	
P9	
P10	

- \_\_\_\_\_ **5.0** Date Format
  - \_\_\_\_\_ Delimiter
- \_\_\_\_\_ **6.0** Time Format
- \_\_\_\_\_ **7.0** Alarm Tone
- \_\_\_\_\_ **8.0** Confirmation Tones

## 9.0 Messages

Key	Definition
0	Diagnostic Message - No entry Allowed.
1	
2	
3	
4	
5	
6	
7	
8	
9	

- \_\_\_\_\_ **10.0** Doc. Printer 12 Print Templates  
(see next page)
- \_\_\_\_\_ **11.0** Fixed Field Delimiter
- \_\_\_\_\_ **12.0** System Clock
- \_\_\_\_\_ **13.0** Version Numbers
  - \_\_\_\_\_ AEC
  - \_\_\_\_\_ BARCO
  - \_\_\_\_\_ FDS
  - \_\_\_\_\_ MCP
  - \_\_\_\_\_ OI
  - \_\_\_\_\_ PATCH
  - \_\_\_\_\_ DPC
  - \_\_\_\_\_ OCR
  - \_\_\_\_\_ SCSI
  - \_\_\_\_\_ U CAS
  - \_\_\_\_\_ L CAS
  - \_\_\_\_\_ LAPTOP
- \_\_\_\_\_ **14.0** User COIN Port Protocol  
User-defined:
  - \_\_\_\_\_ Baud Rate
  - \_\_\_\_\_ Parity Bit
  - \_\_\_\_\_ Character Length
  - \_\_\_\_\_ Handshaking
- \_\_\_\_\_ **15.0** Custom Check Digit
  - \_\_\_\_\_ Attributes
  - \_\_\_\_\_ Constant 1
  - \_\_\_\_\_ Constant 2
  - \_\_\_\_\_ Divisor
  - \_\_\_\_\_ Left/Right
  - \_\_\_\_\_ LUT Status
  - \_\_\_\_\_ Lookup Table
- \_\_\_\_\_ **16.0** Special Character Set
- no entry **17.0** Save Config to PC
- no entry **18.0** Load Config from PC

Print Template # _____	
ITEM LINE	PRINT ITEM
1	
2	
3	
4	
5	
6	
7	
8	
9	
10	
11	
12	

Print Template # _____	
ITEM LINE	PRINT ITEM
1	
2	
3	
4	
5	
6	
7	
8	
9	
10	
11	
12	

Print Template # _____	
ITEM LINE	PRINT ITEM
1	
2	
3	
4	
5	
6	
7	
8	
9	
10	
11	
12	

Print Template # _____	
ITEM LINE	PRINT ITEM
1	
2	
3	
4	
5	
6	
7	
8	
9	
10	
11	
12	

Print Template # _____	
ITEM LINE	PRINT ITEM
1	
2	
3	
4	
5	
6	
7	
8	
9	
10	
11	
12	

Print Template # _____	
ITEM LINE	PRINT ITEM
1	
2	
3	
4	
5	
6	
7	
8	
9	
10	
11	
12	

Print Template # _____	
ITEM LINE	PRINT ITEM
1	
2	
3	
4	
5	
6	
7	
8	
9	
10	
11	
12	

Print Template # _____	
ITEM LINE	PRINT ITEM
1	
2	
3	
4	
5	
6	
7	
8	
9	
10	
11	
12	

Print Template # _____	
ITEM LINE	PRINT ITEM
1	
2	
3	
4	
5	
6	
7	
8	
9	
10	
11	
12	

Print Template # _____	
ITEM LINE	PRINT ITEM
1	
2	
3	
4	
5	
6	
7	
8	
9	
10	
11	
12	

# Mode Definitions

# MODE 1

Original Setup     Update (enter date) \_\_\_\_\_

Filename: \_\_\_\_\_ .cfg

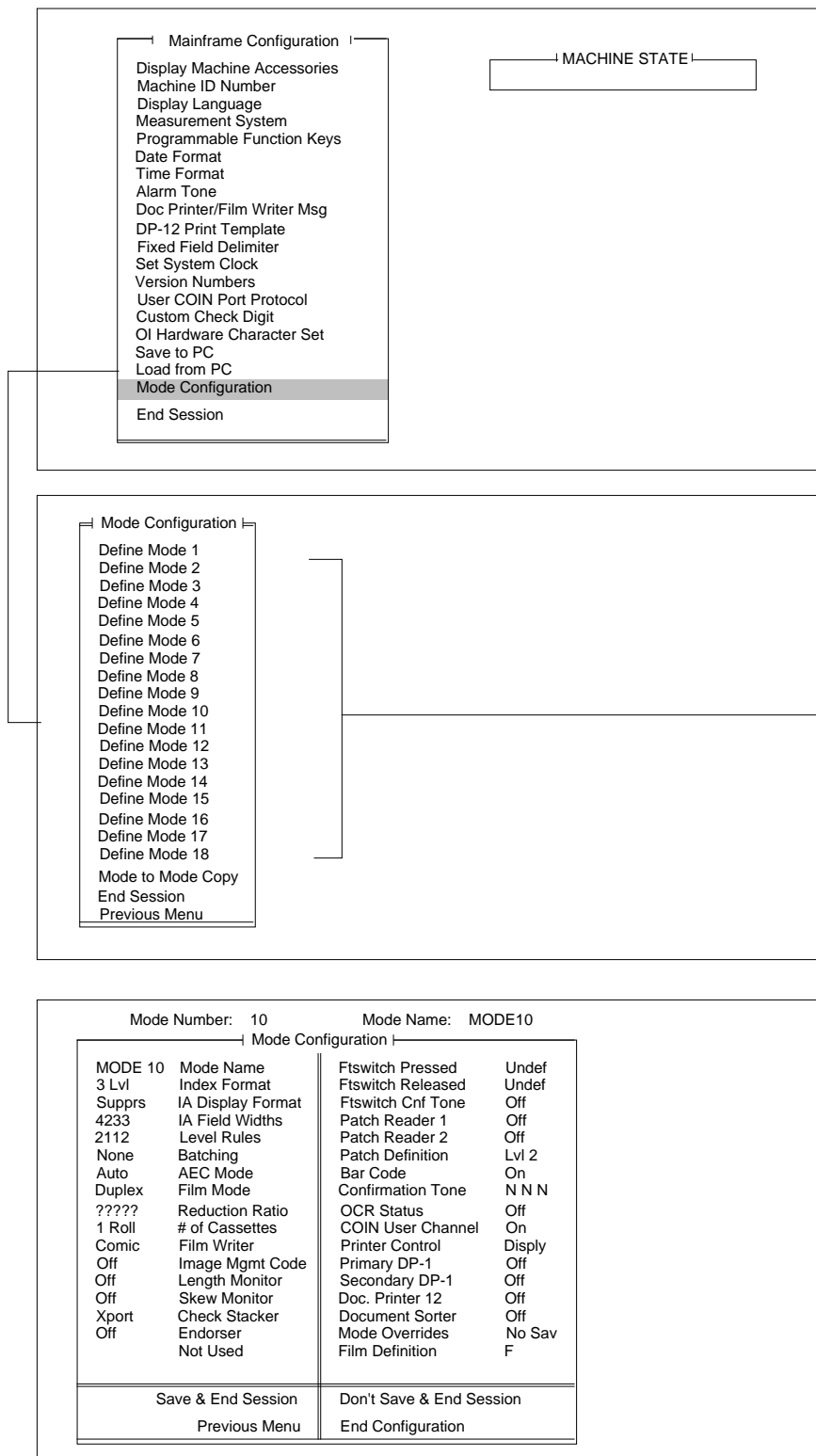
May be linked with Mode(s): \_\_\_\_\_

- \_\_\_\_\_ **19.0** Mode Name
- \_\_\_\_\_ **20.0** Index Format
- \_\_\_\_\_ **21.0** Image Address Display Format
- \_\_\_\_\_ **22.0** Image Address Field Widths
  - \_\_\_\_\_ Fixed Field
  - \_\_\_\_\_ Field C—Level 3
  - \_\_\_\_\_ Field B—Level 2
  - \_\_\_\_\_ Field A—Level 1
- \_\_\_\_\_ **23.0** Level Rules
  - Level 0 followed by \_\_\_\_\_
  - Level 1 followed by \_\_\_\_\_
  - Level 2 followed by \_\_\_\_\_
  - Level 3 followed by \_\_\_\_\_
- \_\_\_\_\_ **24.0** Batching
  - 24.1 \_\_\_\_\_ Batch Level
  - 24.2 \_\_\_\_\_ Batch Value
  - 24.3 \_\_\_\_\_ Start of Batch
  - 24.4 \_\_\_\_\_ End of Batch
- \_\_\_\_\_ **25.0** AEC Mode
- \_\_\_\_\_ **26.0** Film Mode
- \_\_\_\_\_ **27.0** Reduction Ratio
- \_\_\_\_\_ **28.0** Minimum Number of Cassettes
- \_\_\_\_\_ **29.0** Film Writer
  - 29.1 \_\_\_\_\_ Char Orientation
  - 29.2 \_\_\_\_\_ IA Print Format
  - 29.3 Write Definitions
    - \_\_\_\_\_ Level 0
    - \_\_\_\_\_ Level 1
    - \_\_\_\_\_ Level 2
    - \_\_\_\_\_ Level 3
- \_\_\_\_\_ **30.0** Image Management Code
  - 30.1 \_\_\_\_\_ Status
  - 30.2 \_\_\_\_\_ Search Prog. #
  - 30.3 \_\_\_\_\_ Magnification
  - 30.4 \_\_\_\_\_ Splice Definition
  - 30.5 \_\_\_\_\_ Image Mark Sizes
  - 30.6 \_\_\_\_\_ Image Polarity
  - 30.7 \_\_\_\_\_ Dup. Front Loc.
  - 30.8 \_\_\_\_\_ Film Image Orien.
  - 30.9 \_\_\_\_\_ Image Offset

- \_\_\_\_\_ **31.1** Length Monitor
  - 31.1 \_\_\_\_\_ Status
  - 31.2 \_\_\_\_\_ Max. Doc. Length
  - 31.3 \_\_\_\_\_ Min. Doc. Length
  - 31.4 \_\_\_\_\_ Error Response
- \_\_\_\_\_ **32.0** Skew Monitor
  - 32.1 \_\_\_\_\_ Status
  - 32.2 \_\_\_\_\_ Threshold
  - 32.3 \_\_\_\_\_ Error Response
- \_\_\_\_\_ **33.0** Check Stacker
- \_\_\_\_\_ **34.0** Endorser
  - 34.1 \_\_\_\_\_ Status
  - 34.2 \_\_\_\_\_ Mode
  - 34.3 \_\_\_\_\_ Print Position
- \_\_\_\_\_ **35.0** Footswitch Pressed
- \_\_\_\_\_ **36.0** Footswitch Released
- \_\_\_\_\_ **37.0** Footswitch Confirmation Tone
- \_\_\_\_\_ **38.0** Patch Reader 1
- \_\_\_\_\_ **39.0** Patch Reader 2
- \_\_\_\_\_ **40.0** Patch Definition
  - 40.1 \_\_\_\_\_ Xfer Patch Def.
  - 40.2 \_\_\_\_\_ Film Xfer Patch
  - 40.3 \_\_\_\_\_ Patch Recognition
- \_\_\_\_\_ **41.0** Bar Code
  - 41.1 \_\_\_\_\_ Status
  - 41.2 \_\_\_\_\_ Bar Code Type
  - 41.3 \_\_\_\_\_ # of Characters
  - 41.4 \_\_\_\_\_ Codes per Doc.
  - 41.5 \_\_\_\_\_ Distance Between
  - 41.6 \_\_\_\_\_ Scan Direction
  - 41.7 \_\_\_\_\_ Image Processing
  - 41.8 \_\_\_\_\_ Partial Read
  - 41.9 \_\_\_\_\_ Min. Partial Char.
  - 41.10 \_\_\_\_\_ Patch Reading
  - 41.11 \_\_\_\_\_ Patch Location
  - 41.12 \_\_\_\_\_ End Fed Patch
  - 41.13 \_\_\_\_\_ Level Change
- \_\_\_\_\_ **42.0** Confirmation Tones
  - 42.1 \_\_\_\_\_ Patch Detected
  - 42.2 \_\_\_\_\_ Bar Detected
  - 42.3 \_\_\_\_\_ Bar Code/Patch
- \_\_\_\_\_ **43.0** OCR Status

- 44.0 COIN User Channel
  - 44.1 Transmit Data
    - \_\_\_\_\_ Level 0
    - \_\_\_\_\_ Level 1
    - \_\_\_\_\_ Level 2
    - \_\_\_\_\_ Level 3
- 45.0 Printer Control
  - 45.1 \_\_\_\_\_ IA Print Format
  - 45.2 \_\_\_\_\_ Print Position
  - 45.3 \_\_\_\_\_ Special Char Set
- 46.0 Primary Document Printer 1
  - 46.1 \_\_\_\_\_ Status
  - 46.2 \_\_\_\_\_ Font/Orientation
  - 46.3 Print Definitions
    - \_\_\_\_\_ Level 0
    - \_\_\_\_\_ Level 1
    - \_\_\_\_\_ Level 2
    - \_\_\_\_\_ Level 3
- 47.0 Secondary Document Printer 1
  - 47.1 \_\_\_\_\_ Status
  - 47.2 \_\_\_\_\_ Font/Orientation
  - 47.3 Print Definitions
    - \_\_\_\_\_ Level 0
    - \_\_\_\_\_ Level 1
    - \_\_\_\_\_ Level 2
    - \_\_\_\_\_ Level 3
- 48.0 Document Printer 12
  - 48.1 \_\_\_\_\_ Status
  - 48.2 \_\_\_\_\_ Font/Orientation
  - 48.3 Print Definitions
    - \_\_\_\_\_ Level 0
    - \_\_\_\_\_ Level 1
    - \_\_\_\_\_ Level 2
    - \_\_\_\_\_ Level 3
- 49.0 Document Sorter
  - 49.1 \_\_\_\_\_ Status
  - 49.2 \_\_\_\_\_ Error Response
  - 49.3 Sort Criteria
    - \_\_\_\_\_ Default Hopper
    - \_\_\_\_\_ Item 1/Location
    - \_\_\_\_\_ Item 2/Location
    - \_\_\_\_\_ Item 3/Location
- \_\_\_\_\_ 50.0 Mode Overrides
- \_\_\_\_\_ 51.0 Film Definition

# APPENDIX A : System Map



Mode Number: 10      Mode Name: MODE10

Mode to Mode Copy!

Copy From Mode:

Copy Mode 1

Copy Mode 2

Copy Mode 3

Copy Mode 4

Copy Mode 5

Copy Mode 6

Copy Mode 7

Copy Mode 8

Copy Mode 9

Copy Mode 10

Copy Mode 11

Copy Mode 12

Copy Mode 13

Copy Mode 14

Copy Mode 15

Copy Mode 16

Copy Mode 17

Copy Mode 18

Previous Menu

Copy From Mode:

Select Mode to Copy From

Mode Number: 10      Mode Name: MODE10

Mode to Mode Copy!

Copy From Mode:

Copy Mode 1

Copy Mode 2

Copy Mode 3

Copy Mode 4

Copy Mode 5

Copy Mode 6

Copy Mode 7

Copy Mode 8

Copy Mode 9

Copy Mode 10

Copy Mode 11

Copy Mode 12

Copy Mode 13

Copy Mode 14

Copy Mode 15

Copy Mode 16

Copy Mode 17

Copy Mode 18

Previous Menu

→

→

→

→

→

→

→

→

→

→

→

→

→

→

→

→

→

→

→

→

Copy To Mode:

Copy Mode 1

Copy Mode 2

Copy Mode 3

Copy Mode 4

Copy Mode 5

Copy Mode 6

Copy Mode 7

Copy Mode 8

Copy Mode 9

Copy Mode 10

Copy Mode 11

Copy Mode 12

Copy Mode 13

Copy Mode 14

Copy Mode 15

Copy Mode 16

Copy Mode 17

Copy Mode 18

Previous Menu

Copy From Mode:

01

Select Copy to Mode 2

Mode Number: 10      Mode Name: MODE10

Mode to Mode Copy!

Copy From Mode:

01

Are you sure you want to do this?

---

All data in the copied mode will be lost!

---

Previous Menu  
Copy to Mode

Copy To Mode:

02

Select Copy to Mode

Downloading Mode Configuration Mainframe  
Send Mode Configuration to Mainframe



## APPENDIX B : Function Codes

Code	Function Code Name/Description	P-Key Definition Input	
		Required	Optional
F01	<b>Select Mode</b> Allows you to select one of the eighteen (18) application modes.	f01	,xx 2-digit mode number
F02	<b>Restore Mode</b> Allows you to restore the current application mode to its default status (as it was defined at installation), provided that mode overrides are not saved.	f02	
F03*	<b>Filming Only</b> Allows you to film documents, with no level counting, endorsing, patch reading, etc.	f03	,0 off/disable ,1 on/enable ,2 toggle
F04	<b>Counting Only</b> Allows you to count documents only, with no filming, scanning, etc.	f04	,0 off/disable ,1 on/enable ,2 toggle
F05†	<b>Accessory Status</b> Allows you to display the current status of each accessory installed.	f05	
F06†	<b>Terminate Batch</b> Allows you to prematurely end a batch	f06	
F07†	<b>Level 0</b> Allows you to assign Level 0 to the next document fed into the transport.	f07	
F08†	<b>Last Image Address</b> Allows you to display the Image Address of the last document processed.	f08	
F09†	<b>Total Document Count</b> Allows you to display the total number of documents processed. Also allows you to reset the count to zero.	f09	
F10†	<b>Level 0 Count</b> Allows you to display the total number of documents assigned Level 0. Also allows you to reset the count to zero.	f10	
F11†	<b>Level 1 Count</b> Allows you to display the total number of documents assigned Level 1. Also allows you to reset the count to zero.	f11	

† May be executed while transport is running.

\* Available when filming; for use only with Microimager 70 (with or without AFM), and Scanner/Microimager 990.

\*\* Available when scanning; for use only with the Scanner 900, Scanner 923, Scanner 9500, and Scanner/Microimager 990.

\*\*\* Available when using advanced capabilities; for use only with the Microimager 70 (with AFM), Scanner 900, Scanner 923, Scanner 9500, and Scanner/Microimager 990.

Code	Function Code Name/Description	P-Key Definition Input	
		Required	Optional
F12†	<b>Level 2 Count</b> Allows you to display the total number of documents assigned Level 2. Also allows you to reset the count to zero.	f12	
F13†	<b>Level 3 Count</b> Allows you to display the total number of documents assigned Level 3. Also allows you to reset the count to zero.	f13	
F14	<b>Reset Level Counts</b> Allows you to reset all counters (Level 0, Level 1, Level 2, Level 3, and Total) to zero.	f14	
F15	<b>Alarm Volume</b> Allows you to adjust the volume of the alarm.	f15	
F16	<b>Alarm Tone</b> Allows you to adjust the pitch of the alarm tone.	f16	
F17†	<b>Elapsed Time</b> Allows you to display the number of hours the motor, transport, and AC have been running, in addition to the non-resettable document count.	f17	
F18	<b>Display Contrast</b> Allows you to adjust the contrast of the Status Display.	f18	
F19	<b>Display Language</b> Allows you to choose the language in which the Status Display messages will appear.	f19	
F20	<b>Measurement System</b> Allows you to choose the measurement system in which measurements are displayed.	f20	
F21***	<b>Change Time</b> Allows you to change the time.	f21	
F22***	<b>Change Date</b> Allows you to change the date.	f22	
F23†***	<b>Time and Date Display</b> Allows you to view the current time and date.	f23	
F24*	<b>AEC On/Off</b> Allows you to turn the Automatic Exposure Control on or off.	f24	,0 off/disabled ,1 on/enabled
F25*	<b>AEC Auto Adjust</b> Allows you to adjust the AEC exposure setting when the AEC is in Auto Mode (ON).	f25	

† May be executed while transport is running.

\* Available when filming; for use only with Microimager 70 (with or without AFM), and Scanner/Microimager 990.

\*\* Available when scanning; for use only with the Scanner 900, Scanner 923, Scanner 9500, and Scanner/Microimager 990.

\*\*\* Available when using advanced capabilities; for use only with the Microimager 70 (with AFM), Scanner 900, Scanner 923, Scanner 9500, and Scanner/Microimager 990.

Code	Function Code Name/Description	P-Key Definition Input	
		Required	Optional
<b>F26*</b>	<b>AEC Fixed Adjust</b> Allows you to adjust the AEC exposure setting when the AEC is in Fixed Mode (OFF).	f26	
<b>F27†*</b>	<b>Film Advance</b> Allows you to advance the film in six (6) inch [150 mm] increments, or by a specific amount input in inches or millimetres.	f27	
<b>F28†*</b>	<b>Film Leader</b> Allows you to create a film leader which is six (6) feet [1.8 metres] of blank film.	f28	
<b>F29*</b>	<b>Advance Film to End of Roll</b> Allows you to advance the film to the end of the roll.	f29	
<b>F30*</b>	<b>Display Film Remaining</b> Allows you to display the amount of film remaining in each film cassette.	f30	
<b>F31*</b>	<b>Lead End Code</b> Allows you to create a lead end code for retrieval purposes.	f31	
<b>F32*</b>	<b>Trail End Code</b> Allows you to create a trail end code for retrieval purposes.	f32	
<b>F33*</b>	<b>Roll Number</b> Allows you to display the current roll number and/or change to a new roll number.	f33	
<b>F34</b>	<b>Operator ID Number</b> Allows you to display the current operator ID number and/or change to a new operator ID number.	f34	
<b>F35*</b>	<b>Cassette ID Number</b> Allows you to display the current cassette ID number and/or change to a new cassette ID number.	f35	
<b>F37**</b>	<b>Scanner Calibration</b> Allows you to initiate the calibration process required before scanning documents.	f37	
<b>F38**</b>	<b>Scanner End-of-Job</b> Allows you to signal the host computer that the last document of the job has been fed into the transport.	f38	
<b>F39</b>	<b>Printer Character Shift</b> Allows you to select which set of ink jets will be used to print each character.	f39	
<b>F40</b>	<b>All Document Printers On/Off</b> Allows you to turn all document printers (primary DP1, secondary DP1, and DP12) on or off.	f40	,0 off/disable ,1 on/enable

† May be executed while transport is running.

\* Available when filming; for use only with Microimager 70 (with or without AFM), and Scanner/Microimager 990.

\*\* Available when scanning; for use only with the Scanner 900, Scanner 923, Scanner 9500, and Scanner/Microimager 990.

\*\*\* Available when using advanced capabilities; for use only with the Microimager 70 (with AFM), Scanner 900, Scanner 923, Scanner 9500, and Scanner/Microimager 990.

Code	Function Code Name/Description	P-Key Definition Input	
		Required	Optional
F41	<b>Primary DP1 On/Off</b> Allows you to turn the primary document printer 1 on or off.	f41	,0 off/disable ,1 on/enable
F42***	<b>Secondary DP1 On/Off</b> Allows you to turn the secondary document printer 1 on or off.	f42	,0 off/disable ,1 on/enable
F43	<b>Document Printer 12 On/Off</b> Allows you to turn the document printer 12 on or off.	f43	,0 off/disable ,1 on/enable
F44†	<b>Omit Printing on Next Document Only</b> Allows you to omit printing by all document printers on the next document only.	f44	
F45	<b>Print Test</b> Allows you to test the position and print quality of all document printers installed.	f45	
F46	<b>Print Position</b> Allows you to specify how far from the leading edge of the document all document printers will print.	f46	
F49	<b>Purge Frequency</b> Allows you to specify how often, in terms of the number of documents fed into the transport, a priming ink spurt is initiated.	f49	
F50	<b>Patch Reader 1 On/Off</b> Allows you to turn the primary patch reader on or off.	f50	,0 off/disable ,1 on/enable
F51***	<b>Patch Reader 2 On/Off</b> Allows you to turn the secondary patch reader on or off.	f51	,0 off/disable ,1 on/enable
F52***	<b>End Fed Patch Reading On/Off</b> Allows you to turn end fed patch reading on or off.	f52	,0 off/disable ,1 on/enable
F53***	<b>Patch Reading Confirmation Tone</b> Allows you to turn the patch reading confirmation tone on or off.	f53	,0 off/disable ,1 on/enable
F54†	<b>Omit Patch Reading on Next Document Only</b> Allows you to omit patch reading on the next document only.	f54	
F56	<b>Printer Open Jet Test</b> Allows you to determine whether or not there are non-functional ink jets in the Document Printer 12 ink cartridge.	f56	
F57	<b>Endorser On/Off</b> Allows you to turn the endorser on or off.	f57	,0 off/disable ,1 on/enable
F58	<b>Endorser Mode</b> Allows you to display the current endorser mode and/or change the endorser mode.	f58	

† May be executed while transport is running.

\* Available when filming; for use only with Microimager 70 (with or without AFM), and Scanner/Microimager 990.

\*\* Available when scanning; for use only with the Scanner 900, Scanner 923, Scanner 9500, and Scanner/Microimager 990.

\*\*\* Available when using advanced capabilities; for use only with the Microimager 70 (with AFM), Scanner 900, Scanner 923, Scanner 9500, and Scanner/Microimager 990.

Code	Function Code Name/Description	P-Key Definition Input	
		Required	Optional
<b>F59</b>	<b>Endorser Print Position</b> Allows you to specify how far from the leading edge of the document the endorsement will appear.	f59	
<b>F60***</b>	<b>Bar Code Reading 1 On/Off</b> Allows you to turn bar code reading on or off.	f60	,0 off/disable ,1 on/enable
<b>F62***</b>	<b>Bar Code/Patch Reading Confirmation Tone</b> Allows you to turn the bar code/patch reading confirmation tone on or off.	f62	,0 off/disable ,1 on/enable
<b>F63***</b>	<b>Bar Code Reading Confirmation Tone</b> Allows you to turn the bar code reading confirmation tone on or off.	f63	,0 off/disable ,1 on/enable
<b>F64†***</b>	<b>Omit Bar Code Reading on Next Document Only</b> Allows you to omit bar code reading on the next document only.	f64	
<b>F65***</b>	<b>Bar Code Test</b> Allows you to perform a test to verify the operation of the bar code reader.	f65	
<b>F66***</b>	<b>Partial Bar Code Reading On/Off</b> Allows you to turn partial bar code reading on or off.	f66	,0 off/disable ,1 on/enable
<b>F70</b>	<b>Length Checking On/Off</b> Allows you to turn length checking on or off.	f70	,0 off/disable ,1 on/enable
<b>F71†</b>	<b>Omit Length Checking On Next Document Only</b> Allows you to omit length checking on the next document only.	f71	
<b>F72</b>	<b>Skew Detection</b> Allows you to turn skew detection on or off.	f72	,0 off/disable ,1 on/enable
<b>F73**</b>	<b>Latched Scanning Flag</b> Allows you to set a flag which alerts the host system that the document, and those which follow, are of special interest. The flag will remain activated for every document until it is turned off.	f73	
<b>F74**</b>	<b>Momentary Scanning Flag</b> Allows you to set a flag which alerts the host system that the next document only is of special interest.	f74	
<b>F75***</b>	<b>Footswitch Confirmation Tone</b> Allows you to turn the footswitch confirmation tone on or off.	f75	,0 off/disable ,1 on/enable

† May be executed while transport is running.

\* Available when filming; for use only with Microimager 70 (with or without AFM), and Scanner/Microimager 990.

\*\* Available when scanning; for use only with the Scanner 900, Scanner 923, Scanner 9500, and Scanner/Microimager 990.

\*\*\* Available when using advanced capabilities; for use only with the Microimager 70 (with AFM), Scanner 900, Scanner 923, Scanner 9500, and Scanner/Microimager 990.

Code	Function Code Name/Description	P-Key Definition Input	
		Required	Optional
F76‡	<b>OCR On/Off</b> Allows you to turn OCR on or off.	f76	,0 off/disable ,1 on/enable
F80	<b>Document Sorter On/Off</b> Allows you to turn the document sorter on or off.	f80	,0 off/disable ,1 on/enable
F81†	<b>Sort Next Document to Specified Hopper</b> Allows you to specify the hopper (default, upper, or lower) in which the next document only will be deposited.	f81	
F82†	<b>Sort All Documents to Specified Hopper</b> Allows you to specify the hopper (default, upper, or lower) in which all documents will be deposited. This definition will remain in effect for every document until it is redefined.	f82	
F91	<b>Select Linked Mode</b> Allows you to switch from one application mode to another, keeping the last Image Address.	f91	
F92	<b>Fixed Field</b> Allows you to enter a new fixed field value, containing alphanumeric characters.	f92	
F93***	<b>Action/Confirmation Tone</b> Allows you to adjust the pitch of the action/confirmation tone.	f93	
F94†	<b>Level 1</b> Allows you to assign Level 1 to the next document fed into the transport.	f94	
F95†	<b>Level 2</b> Allows you to assign Level 2 to the next document fed into the transport.	f95	
F96†	<b>Level 3</b> Allows you to assign Level 3 to the next document fed into the transport.	f96	
F97	<b>Next Image Address</b> Allows you to input the next Image Address.	f97	
F98†	<b>Stop</b> Allows you to stop the transport.	f98	
F99	<b>Run</b> Allows you to turn on the transport.	f99	

† May be executed while transport is running.

\* Available when filming; for use only with Microimager 70 (with or without AFM), and Scanner/Microimager 990.

\*\* Available when scanning; for use only with the Scanner 900, Scanner 923, Scanner 9500, and Scanner/Microimager 990.

\*\*\* Available when using advanced capabilities; for use only with the Microimager 70 (with AFM), Scanner 900, Scanner 923, Scanner 9500, and Scanner/Microimager 990.

‡ Available when using advanced capabilities; for use only with the Microimager 70 (with AFM), Scanner 900, Scanner 923, and Scanner/Microimager 990.

## APPENDIX C : Recommended Entries

Item	Description	Values
0.0	Accessory Status	PRES (Present) NOTPRES (Not Present)
1.0	Machine ID Number	00 – 99
2.0	Display Language	ENG (English) FREN (French) GERM (German) ITAL (Italian) SPAN (Spanish)
3.0	Measurement System	ENG (English) MET (Metric)
4.0	Programmable Function Keys	Enter function(s)
5.0	Date Format	mmddyy mmdd ddmmyy ddmmm mmyy ydd yyddd yymmdd ddmmyy mmddyyyy
	Date Delimiter	Slash (/) Dash (-) Period (.) Space ( ) No Del
6.0	Time Format	12 hr AM/PM 12 hr 24 hr
7.0	Alarm Tone	High Low
8.0	Confirmation Tones	ON (Enabled) OFF (Disabled)
9.0	Messages	Enter messages
10.0	Doc. Printer 12 Print Templates	Enter line number and print item(s)
11.0	Fixed Field Delimiter	Slash (/) Dash (-) Period (.) Space ( ) Backslash (\)
12.0	System Clock	TERM (Terminal time) MAN (Manual)
13.0	Version Numbers	Enter version numbers

Item	Description	Values
14.0	User COIN Port Protocol	NO (Not used) YES (Used)
	Baud rate	300 600 1200 2400 4800 9600 19.2 K
	Parity Bit	NONE (No parity) ODD (Odd parity) EVEN (Even parity)
	Character Length	7 (7 Bits) 8 (8 Bits)
	Handshaking	None CTS/RTS
15.0	Custom Check Digit	NO (Not used) YES (Used)
	Attributes	11-digit string
	Constant 1	2-digit number
	Constant 2	2-digit number
	Divisor	2-digit number
	Left/Right	LEFT (Left of decimal) RIGHT (Right of decimal)
	LUT Status	NO (not used) YES (used)
	Lookup Table	11-digit string
16.0	Special Character Set	JAP (Japanese) EURO (European)
17.0	Save Config to PC	no entry required
18.0	Load Config from PC	no entry required
19.0	Mode Name	10-digit string
20.0	Index Format	1 (Single level) 2 (Two level) 2Off (Two level offset) 3 (Three level) 3Off (Three level offset)
21.0	Image Address Display Format	DISP (Display) SUPP (Suppress) COMP (Compress)

Item	Description	Values
22.0	Image Address Field Widths	0 – 9
23.0	Level Rules	Level 0 Level 1 Level 2 Level 3
24.0	Batching	
24.1	Level	None Level 1 Level 2 Level 3
24.2	Value	01 – 9999
24.3	Start-of-Batch function	f94 (go to Level 1) f95 (go to Level 2) f96 (go to Level 3)
24.4	End-of-Batch function	f94 (go to Level 1) f95 (go to Level 2) f96 (go to Level 3) f98 (stop)
25.0	AEC Mode	Auto Fixed
26.0	Film Mode	SIM (Simplex) DUP (Duplex) DUO (Duo)
27.0	Reduction Ratio	Don't Care 24X 40X 50X
28.0	Minimum Number of Cassettes	One Two
29.0	Film Writer	
29.1	Character Orientation	Com (Comic) CIN (Cine) COM180 (Comic 180) CIN180 (Cine 180)
29.2	Image Address Display Format	DISP (Display) SUPP (Suppress) COMP (Compress)
29.3	Write Definitions	Enter item(s)
30.0	Image Management Code	
30.1	Status	ON (Enabled) OFF (Disabled)
30.2	Search Program Number	00 – 70
30.3	Magnification	20 – 80
30.4	Splice Definition	Ignore Level 1 Level 2 Level 3

Item	Description	Values
30.5	Image Mark Sizes	CUST (Custom) KOD (Kodak Standard)
30.6	Image Polarity	OPP (Opposite of IM) SAME (Same as IM)
30.7	Duplex Front Location	OPP (Opposite of channel) SAME (Same as channel)
30.8	Film Image Orientation	DN (Leading Edge down) UP (Leading Edge up)
30.9	Image Offset	000 – 127
31.0	Length Monitor	
31.1	Status	ON (Enabled) OFF (Disabled)
31.2	Maximum Document Length	02.5000 – 75.000 in. 63.5 – 1905 mm on IL70 63.5 – 508 on others
31.3	Minimum Document Length	02.500 – 13.000 in. 63.5 – 330.2 mm
31.4	Error Response	DISP (Display) BEEP (Display and Beep) STOP (Stop and Display)
32.0	Skew Monitor	
32.1	Status	ON (Enabled) OFF (Disabled)
32.2	Threshold	5 (5 degrees) 10 (10 degrees)
32.3	Error Response	DISP (Display) BEEP (Display and Beep) STOP (Stop and Display)
33.0	Chek Stacker	ON (Enabled) OFF (Disabled)
34.0	Endorser	
34.1	Status	ON (Enabled) OFF (Disabled)
34.2	Mode	CON (Continuous) SIN (Single Stamp)
34.3	Print Position	00.000 – 70.000 in. 0 – 1778 mm
	Not Used	
35.0	Footswitch Pressed	OFF (Undefined) Level 0 Level 1 Level 2 Level 3 INC (Increment) SLevel 0 (Sustained) SLevel 1 (Sustained) SLevel 2 (Sustained) SLevel 3 (Sustained) F Key P Key



Item	Description	Values
36.0	Footswitch Released	OFF (Undefined) Level 0 Level 1 Level 2 Level 3 INC (Increment)
37.0	Footswitch Confirmation Tone	ON (Enabled) OFF (Disabled)
38.0	Patch Reader 1	ON (Enabled) OFF (Disabled)
39.0	Patch Reader 2	ON (Enabled) OFF (Disabled)
40.0	Patch Definition	
40.1	Transfer Patch Definition	Level 1 Level 2 Level 3 None
40.2	Film Transfer Patch	NO (not filmed) YES (filmed)
40.3	Patch Recognition	2 (Type 2) 3 (Type 3) XFER (Transfer) 2/3 (Types 2 and 3) 2X (Types 2 and Transfer) 3X (Types 3 and Transfer) ALL (All types)
41.0	Bar Code	
41.1	Status	ON (Enabled) OFF (Disabled)
41.2	Bar Code Type	3 of 9 (Code 39) 2 of 5 (Interleaved 2 of 5) CODA (Codabar)
41.3	Number of Characters	03 – 80
41.4	Codes per Document	ONE ALL
41.5	Distance Between Codes	0.375 – 3.000 in. 09.53 – 76.20 mm
41.6	Scan Direction	UNI (Uni-directional) BI (Bi-directional)
41.7	Image Processing	ON (Enabled) OFF (Disabled)
41.8	Partial Read	ON (Enabled) OFF (Disabled)
41.9	Minimum Partial Read Characters	03 – 80
41.10	Patch Reading	ON (Enabled) OFF (Disabled)
41.11	Patch Location	1.92 – 9.60 in. 048.77 – 243.84 mm

Item	Description	Values
41.12	End Fed Patch	ON (Enabled) OFF (Disabled)
41.13	Level Change	Level 0 Level 1 Level 2 Level 3 OFF (Undefined)
42.0	Confirmation Tones	
42.1	Patch Detected	
42.2	Bar Code Detected	ON (Enabled) OFF (Disabled)
42.3	Bar Code/Patch Detected	
43.0	OCR Status	ON (Enabled) OFF (Disabled)
44.0	COIN User Channel	NO (Not used) YES (Used)
44.1	Transmit Data	Enter data
45.0	Print Controller	
45.1	Image Address Print Format	DISP (Display) COMP (Compress) SUPP (Suppress)
45.2	Print Position	00.125 – 75.000 in. 3 – 1778 mm
45.3	Special Character Set	SM (Smaller font) LG (Larger font)
46.0	Primary Document Printer 1	
46.1	Status	ON (Enabled) OFF (Disabled)
46.2	Font/Orientation	SCOM (Sm Comic) SCIN (Sm Cine) SCOM180 (Sm Comic180) SCIN180 (Sm Cine180) LCOM (Lg Comic) LCIN (Lg Cine) LOM180 (Lg Comic 180) LCIN180 (Lg Cine 180)
46.3	Print Definitions	Enter item(s)
47.0	Secondary Document Printer 1	
47.1	Status	ON (Enabled) OFF (Disabled)
47.2	Font/Orientation	SCOM (Sm Comic) SCIN (Sm Cine) SCOM180 (Sm Comic 180) SCIN180 (Sm Cine180) LCOM (Lg Comic) LCIN (Lg Cine) LCOM180 (Lg Comic180) LCIN180 (Lg Cine180)

Item	Description	Values
47.3	Print Definitions	Enter item(s)
48.0	Document Printer 12	
48.1	Status	ON (Enabled) OFF (Disabled)
48.2	Font/Orientation	COM (Comic) COM180 (Comic 180)
48.3	Print Definitions	Enter template
49.0	Document Sorter	
49.1	Status	ON (Enabled) OFF (Disabled)
49.2	Error Response	DISP (Display) BEEP (Display and Beep) Stop (Stop and Display)
49.3	Sort Criteria	Enter selected criteria and bin
50.0	Mode Overrides	DIS (Discard) SAV (Save)
51.0	Film Definition	Filming Enabled Filming Disabled

EASTMAN KODAK COMPANY  
Business Imaging Systems  
Rochester, New York 14650

Kodak, Digital Science, the ds monogram symbol,  
and Imagelink are trademarks of Eastman Kodak  
Company.

Printed on recycled paper.

A-61097 5/97  
©Eastman Kodak Company, 1997  
Printed in U.S.A.

